



# Ultra Clear Pet Door

Product codes: #1158, #1159

INSTALLATION VIDEO



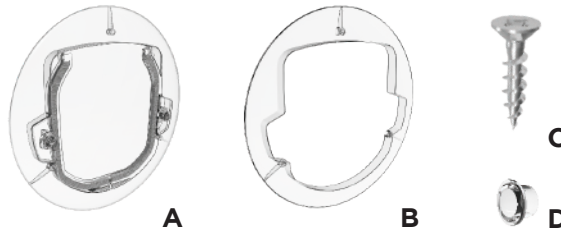
**IMPORTANT! READ AND FOLLOW THESE INSTRUCTIONS CAREFULLY AND KEEP FOR FUTURE REFERENCE.**

SCAN ME to watch the Installation Video

Or Visit: [www.hakunapets.com](http://www.hakunapets.com)

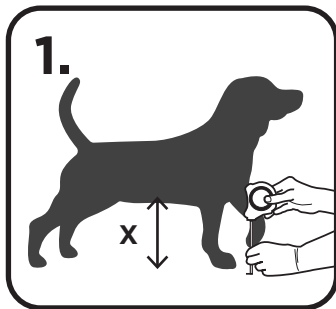
## Parts List

- A. Inner door frame
- B. Outer door frame
- C. Screws (Sml: 3 Med: 4)
- D. Screw covers (Sml: 3 Med: 4)

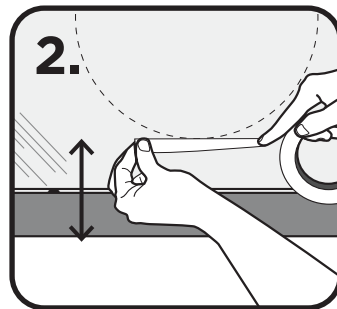


## Installation

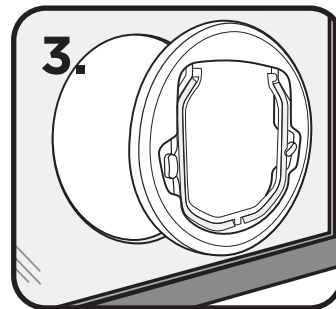
**IMPORTANT:** Glass installation only to be completed by a professional glazier.



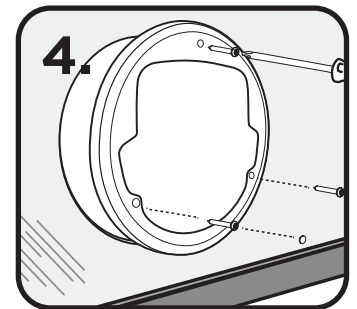
1. Measure the height (x) from the underside of your pet's stomach to the floor.



2. Mark height (x) on door / panel with tape or similar. Cut required hole out above.  
Hole sizes below  
1158 Small: 250mm (9.8")  
1159 Medium: 388mm (15.2")



3. Install inner frame (A) into hole and attach outer frame (B) to join together as per required fit.



4. Ensure door is level and secure using the screws provided. Cover screws with screw covers.

## WARNING

Please read these cautions and notes carefully before attempting installation. For any questions or concerns, contact Customer Support at [www.hakunapets.com/help](http://www.hakunapets.com/help).

If your home has children as well as pets it is important to remember that children can misuse the pet door and gain access to potential hazards on the other side. You may contravene municipal laws and be found guilty of an offence if there was a swimming pool on the other side of the pet door. You are further advised to be very alert to any future hazards which may occur from time to time on the other side of the pet door such as garden chemicals or insecticides which, even if only put down for a few minutes, would be dangerous to children. Remember that any closing panel or lock provided by Perma Products with this product is for simple convenience and is certainly not a security device. Furthermore we will not be responsible or liable for unintended use or misuse. Please remember it is you the purchaser who must at all times be aware of what you have allowed access to by the installation of this pet door. Please remain vigilant throughout the life of this product as it is you the purchaser who is responsible for any oversight this installation creates.

## CAUTION

Before you install this door you must check all your building codes or body corporate rules that could affect the installation of a pet door. You should also check with a qualified builder or trades person that the installation you intend is suitable and safe within the chosen location. This is neither a fire door or security door and it is imperative that you the purchaser consider any risks that may be created both inside and outside after installation of your pet door. Please remember to consider future risks that could be brought about by changes elsewhere on your property.

It is up to the user to take active steps to reduce risks of damage during adverse weather conditions including but not limited to storms or heavy downfalls. This includes manually locking the Pet Door, ensuring adequate measures are taken to ensure your pets safety and sealing the area ensuring the safety of the surrounds.

## NOTE

Keep these warnings and cautions with any other important documents in your home and give them to any new owner, tenant or guest so that they too can be made aware of the responsibilities that come with having a pet door within the premises.

# TRAINING



## Training Dogs

**Before starting your training, assess whether your dog would be more motivated to come inside through the pet door or go outside through it. If your dog loves being inside the house, you should start this training with them outside. If they're always excited to get outside, start with them inside the house.**

1. With your dog on one side of the pet door and you on the other, lift the flap of the pet door all the way up and call them, using an excited voice. Hold treats or your dogs favourite toy so they can see them on the other side of the pet door. Reward any attempt to come towards or through the door with lots of verbal encouragement, but don't let them have the treat until they make it the whole way through. If your dog is hesitating or nervous to approach after trying this step, take a break and come back to it later.
2. When they come all the way through, praise and reward them. Then, leaving them where they are, go to the other side of the pet door, lift the flap and repeat the same exercise. Do a few repetitions going each way, then take a break. This training can be both stressful and exciting for your dog, so you should do short sessions to avoid burning them out or causing them to become distressed.
3. After your dog has had a break, repeat the exercise. If they're coming through with no hesitation, repeat the exercise holding the flap up only halfway. Your dog may be distressed by feeling the flap touching them, use lots of verbal encouragement to guide them through the door and reward them if they do go all the way through.
4. Once they're going through with the flap halfway up, continue doing short sessions with them, gradually lifting the flap up less and less, until your dog is pushing through the door on their own.
5. Now try to get them to do it on their own. You can do this by leaving them on one side of the door and scattering some treats or leaving their favourite toy on the other side of the door. Repeat this for a few sessions until your dog goes through without any verbal encouragement or reward.

## Training Cats

1. Cats are smart when it comes to finding food so this is a great motive to get your cat to start using the pet door. Start by using some tape to hold the flap completely open.
2. First feed your cat next to the pet door, then try putting some food or tasty treats on the other side of the door. Let your cat watch you place the treats on the other side of the door.
3. When your cat starts to consistently peek through without hesitation, you can go to the next step, which is to throw the treats a little further. In no time, your cat should be going all the way through the open flap to retrieve its rewards.
4. Now remove the tape holding the flap open. To get your cat used to pushing the door open, hold the door part way open and repeat the food and treats progression. Gradually, over many trials, make the opening smaller and smaller so that your cat has to push more and more to get through.
5. If your cat is hungry enough training should go quickly. Once they figure it's safe to push the flap they will be going in and out at will. During the training sessions make sure the door never smacks your cat in the rear, a startle could slow the progress you have both worked to achieve.