

ROLLTRAK

DOOR & WINDOW SPECIALISTS

2000MM BARN DOOR TRACK SET - TOP MOUNT

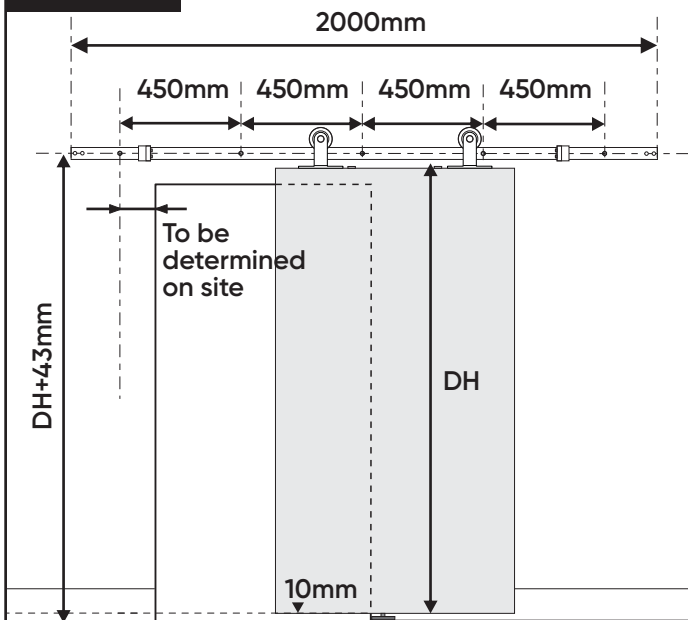
Model Number:

R90320 & R90325

Tools required:

Drill, tape measure, level, pencil, phillips head screwdriver, 2.5mm, 3.2mm, 4mm, 6mm, 9mm & 10mm high speed steel drill bit, 8mm & 10mm masonry drill bit.

DIAGRAM:

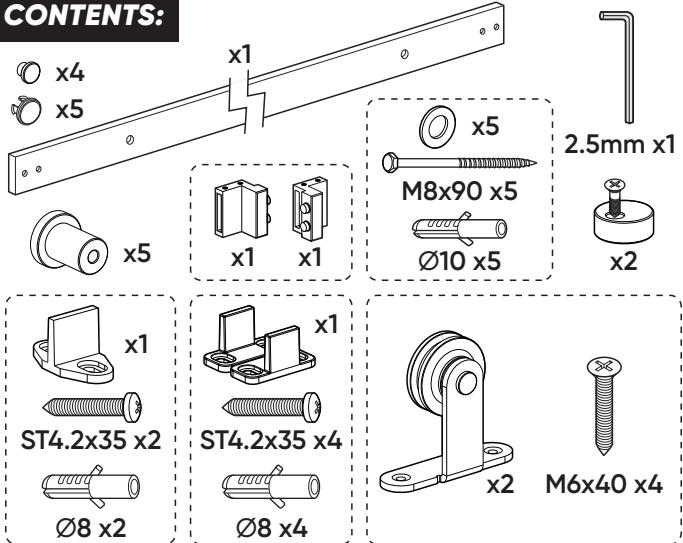


Note: The door size should be a suitable height & width to cover the opening.

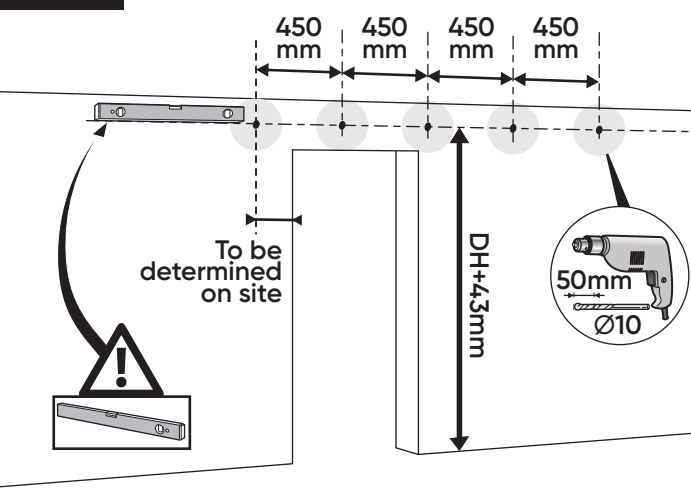
IMPORTANT: STUD WALL INSTALLATION

- The track is supplied with pre-drilled 450mm hole spacings.
- If you have a stud wall, you will need to ensure that you fix the track to the studs. This may require re-drilling the track.
- Screwing into gyproc or cladding may not support the weight of the door.
- Refer to *Stud Wall Installation* page, if you have a stud wall.

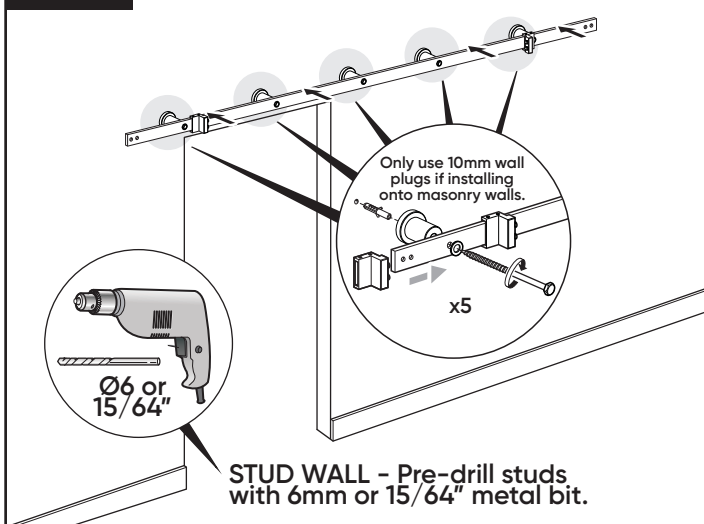
CONTENTS:



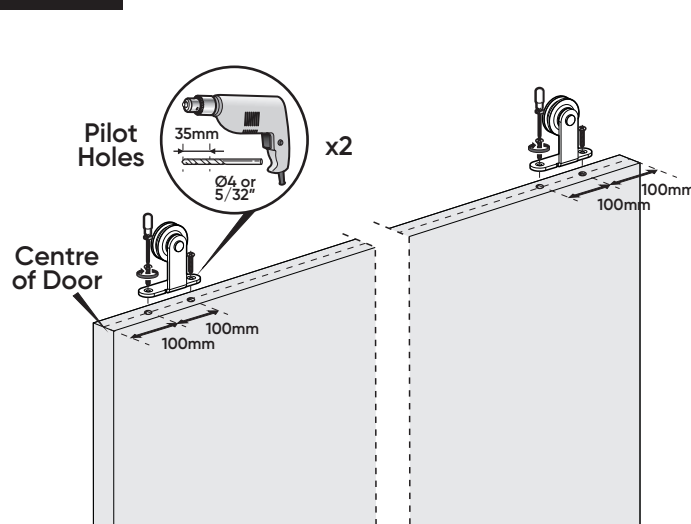
Step 1: Masonry Installation



Step 2:



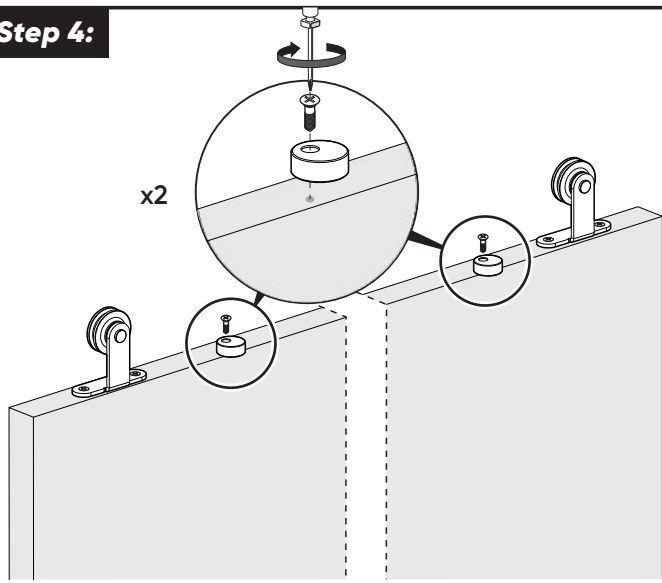
Step 3:



Warranty:

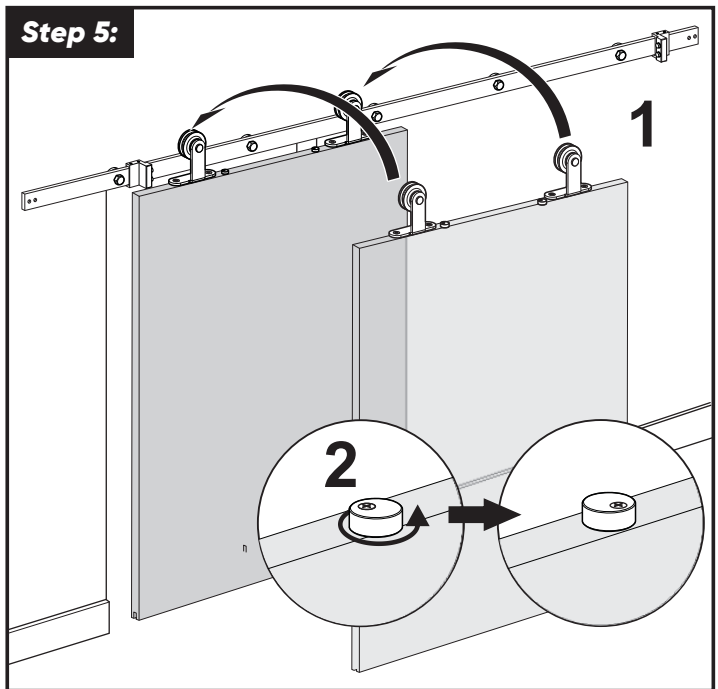
Any claim under this warranty must be made within 12 months of the date of purchase of the product. To make a claim under this warranty, take the product (with proof of purchase) to any Bunnings store (for AUS customers see www.bunnings.com.au and for NZ customers see www.bunnings.co.nz for store locations). Rolltrak bears reasonable, direct expenses of claiming under the warranty. You may submit details and proof of purchase to our support centre for consideration. The warranty covers manufacturer defects in materials, workmanship and finish under normal use. This warranty is provided in addition to other rights and remedies you may have under law. Our goods come with guarantees that cannot be excluded under the Australian consumer law or Consumer Guarantees Act 1993 (NZ). You are entitled to a replacement or refund for a major failure and compensation for any other reasonably foreseeable loss or damage. You are also entitled to have the goods repaired or replaced if the goods fail to be of acceptable quality and the failure does not amount to a major failure. This warranty excludes damage resulting from product misuse or product neglect, any modifications, additions or alterations to the product. Additions or modifications can compromise the structure and safety of the product. The warranty covers domestic use only and does not apply to commercial applications. This warranty is given by Rolltrak, ABN 61 633 046 106, 25-39 Australand Drive, Berrinba QLD 4117, 1800 623 203. Email: support@rolltrak.com.au. Products sold in New Zealand are imported by Bunnings New Zealand. "Rolltrak" is a trademark. © Rolltrak Spares Pty Ltd. Suitable for model number R90320 & R90325.

Step 4:

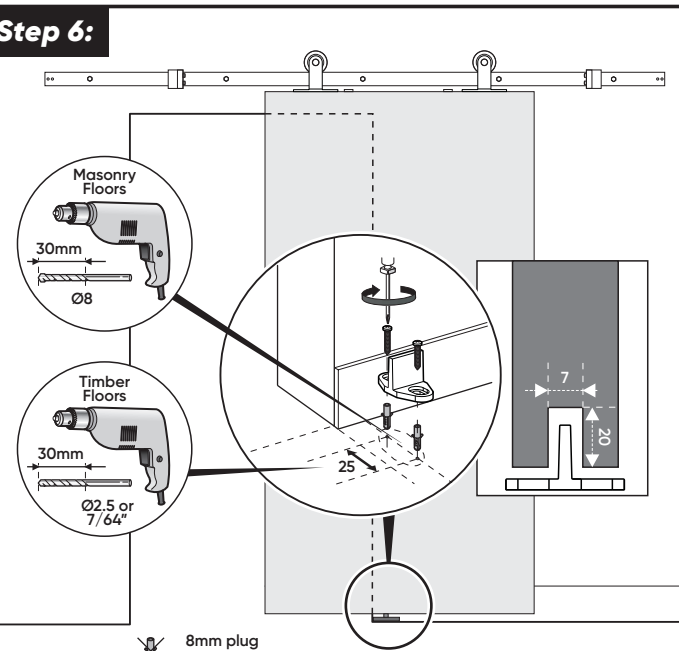


Screw the anti-bounce guide over the edge as shown above. After installing the door, rotate them to fit flush with the door. See Step 5.

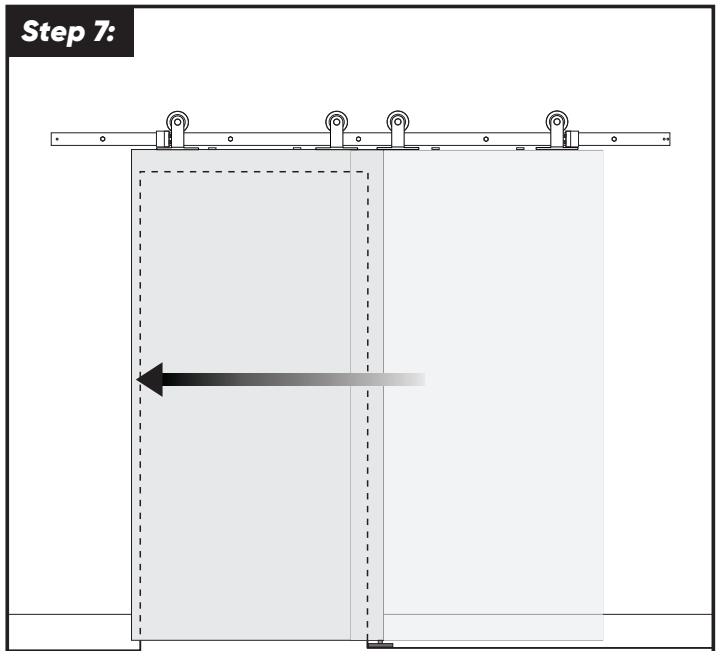
Step 5:



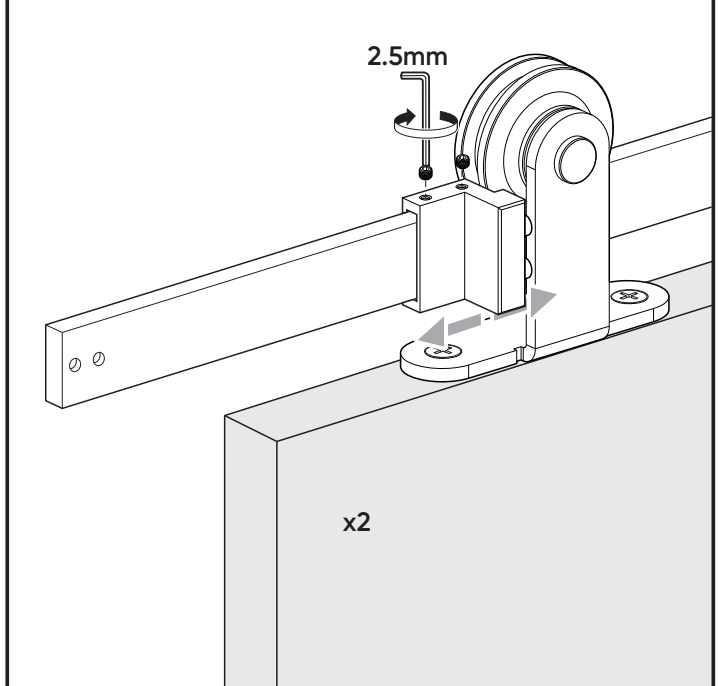
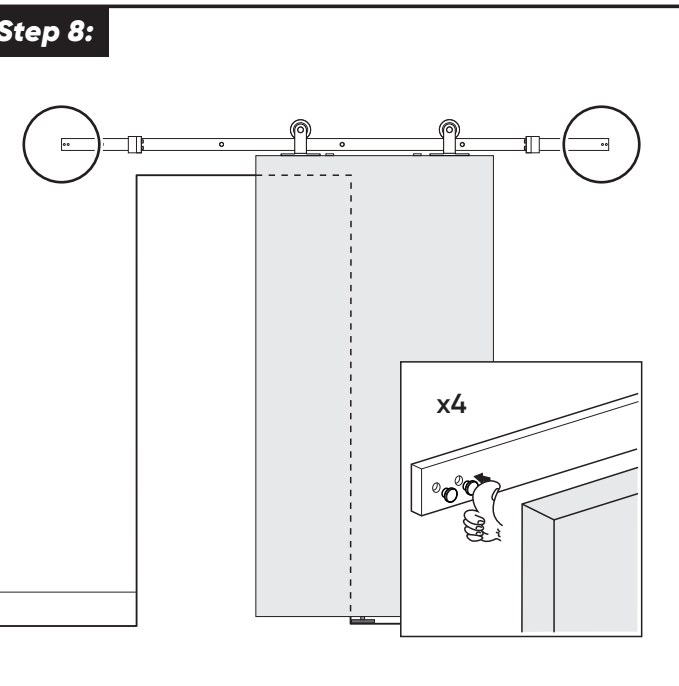
Step 6:



Step 7:



Step 8:



STUD WALL INSTALLATION:

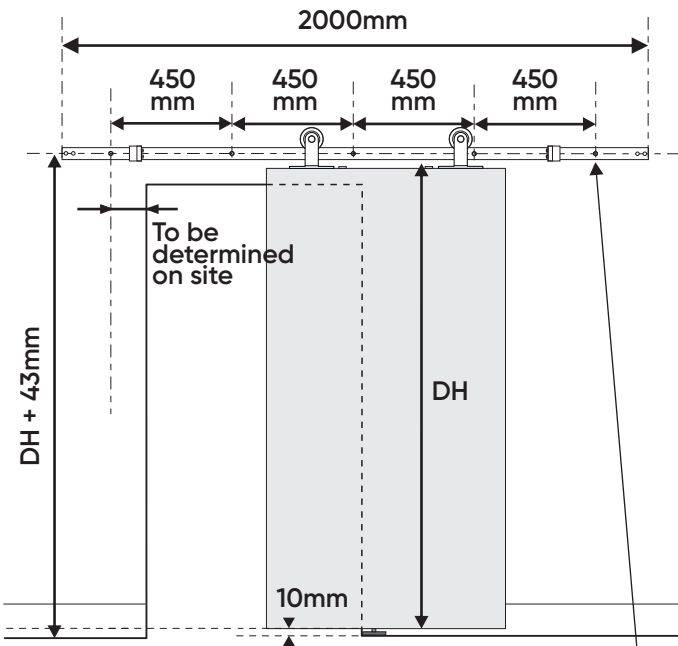


IMPORTANT:

- The track is supplied with pre-drilled 450mm hole spacings.
- If you have a stud wall, you will need to ensure that you fix the track to the studs. This may require re-drilling the track.
- Screwing into gyproc or cladding may not support the weight of the door.

Step 1:

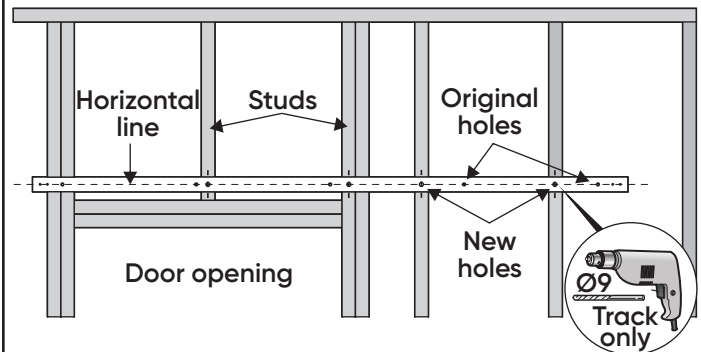
Positioning The Track



Locate the position of your track. Ensuring the track is level, mark the holes on the wall with a pencil. This will give you a horizontal guide.

Step 3:

Re-drilling The Track



Note: The track should be evenly supported by the studs.

Reposition and mark the new stud centres on the track. Remove the track.

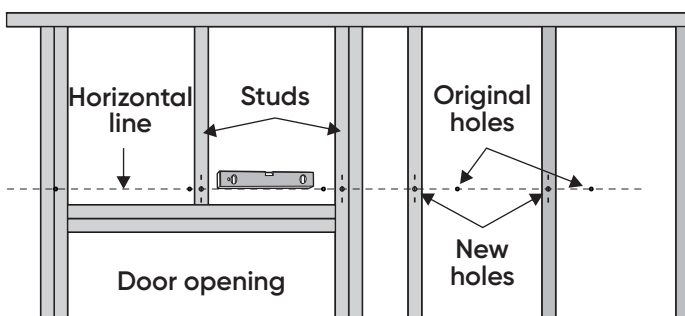
Align a straight edge along the centre of the original holes on the track.

Mark the new stud holes along that centre line.

Carefully pilot the new holes in the track with a 3.2mm or 1/8th drill. Then drill the pilot holes using a 9mm drill bit.

Step 2:

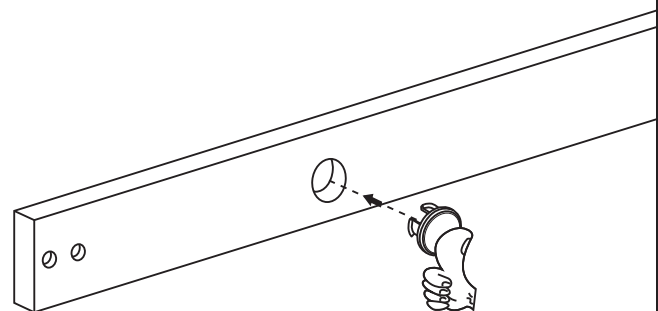
Locating The Studs



Using a stud finder, find and mark the centres of the studs along that horizontal line.

Step 4:

Blanking Plugs



Using the 9mm plastic blanking plugs provided, plug the holes that will not be used to mount the track to the wall.

CONNECT WITH US!
ROLLTRAK.NET.AU

