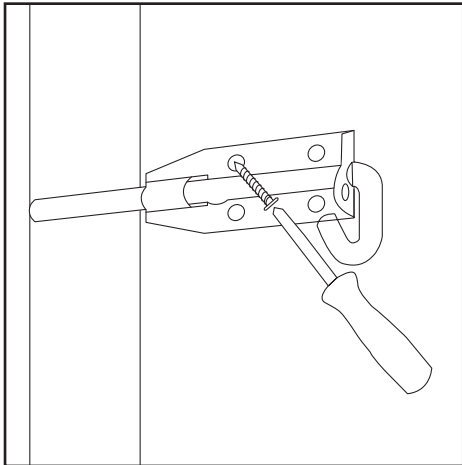


100mm | Adjustable Keeper Heavy Duty Padbolt

Important: For this padbolt, use a padlock that's 30mm or larger.

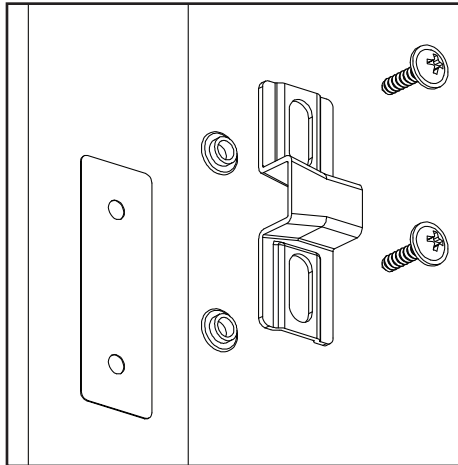
Tools required: Pencil, No.2 Phillips screwdriver, drill and 2mm drill bit.

Installation instructions:



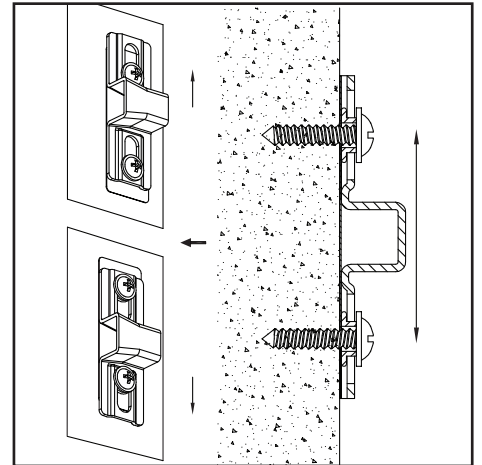
STEP 1:

Position padbolt in desired location. Mark screw locations and drill pilot holes using 2mm drill bit. Fasten with screws provided.



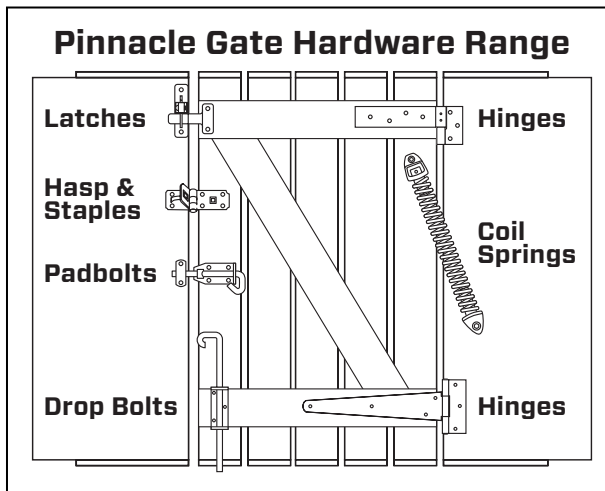
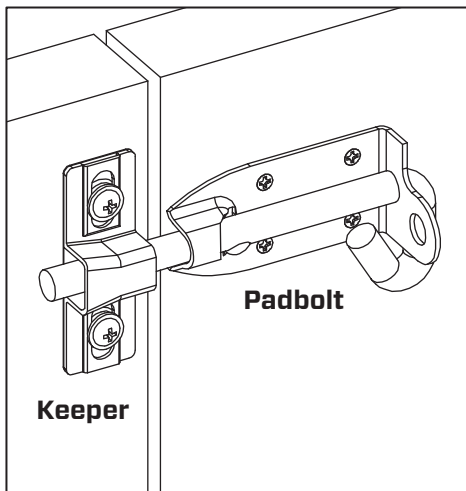
STEP 2:

Assemble Adjustable Keeper; adjustable keeper includes back plate, guides, keeper and screws. Please refer to diagram for components.



STEP 3:

Position adjustable keeper on post, mark and drill 2mm pilot holes. Fasten with screws.



Corrosion Protection Chart

Finish:	Rating:	
Stainless Steel	Ultimate	🛡️🛡️🛡️
Galvanised	High	🛡️🛡️
Zinc Plated	Moderate	🛡️

Suitable for model no: GHS008.

CONNECT WITH US!
PINNACLE.NET.AU

