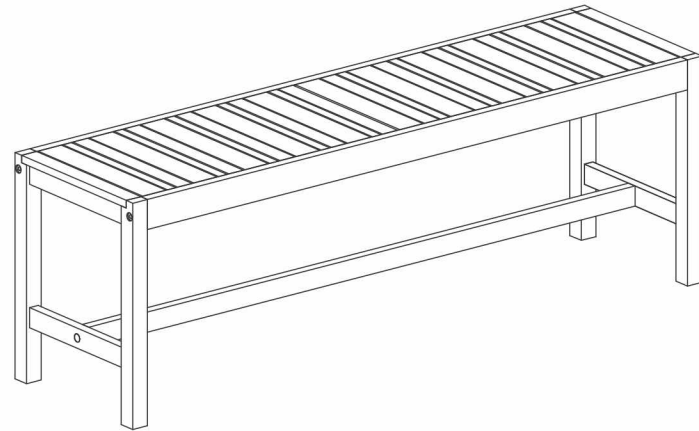


ELWOOD TIMBER BENCH - 3192466

ASSEMBLY INSTRUCTIONS

COMPONENT PARTS



FITTINGS

PART	No.	Qty.	✓
Top bench	01	1	<input type="checkbox"/>
Left Leg	02	1	<input type="checkbox"/>
Right Leg	03	1	<input type="checkbox"/>
Crossbar	04	1	<input type="checkbox"/>

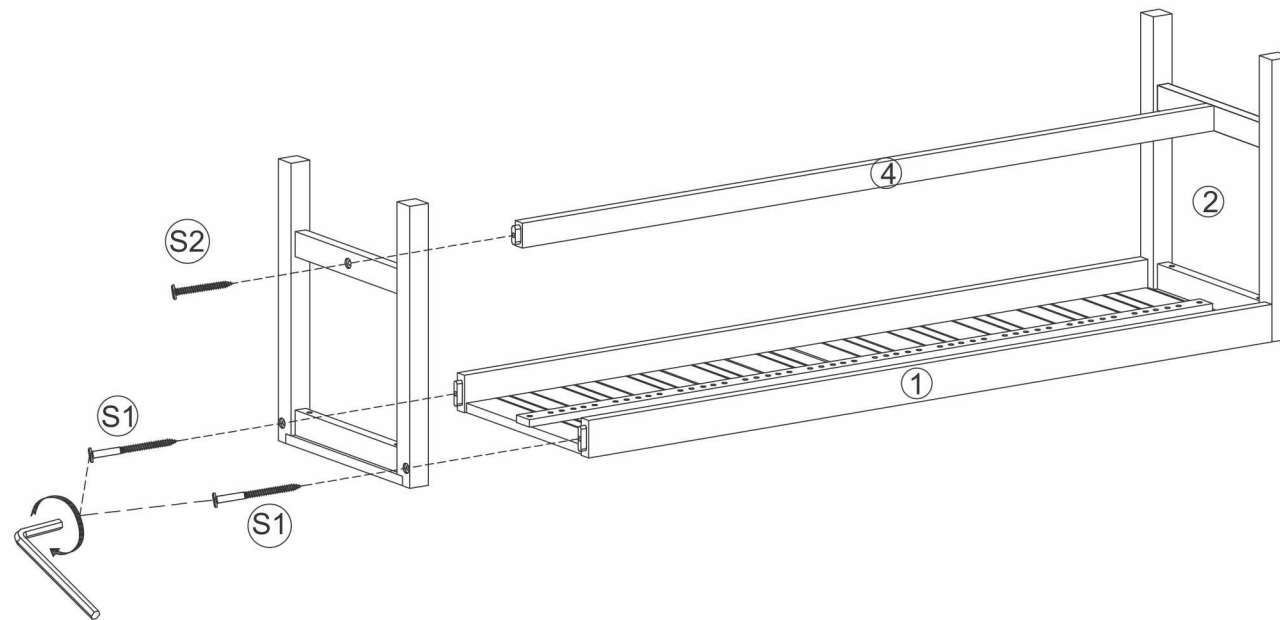
COMPONENT CHECKLIST

(S1)		LONG SCREW (M7x90mm) x 4 Pcs
(S2)		SCREW (M7 x 60mm) x 2 Pcs

TOOLS REQUIRED

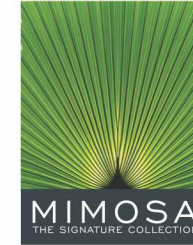
(K)		ALLENKEY 5 x 75 mm x 2 Pcs
-----	--	----------------------------

S1		x 4
S2		x 2



Step 1: Assemble the crossbar to the leg - side with Screws (S2)

Step 2: Assemble the leg - frame to the supporters of the seat with Screws (S1)



Eucalyptus Hardwood – FSC® CERTIFIED

ASSEMBLY

Easy to follow instructions are provided for the assembly of your furniture. As an added precaution we strongly recommend you choose to tighten any loose fittings and joints after an initial period of use of around 3-6 months. For assured long life of your furniture, regular checking and tightening of any bolts should be carried out on a 6-12 monthly basis.

MAINTAINING YOUR TIMBER FURNITURE

This quality piece of furniture is made from FSC Eucalyptus Hardwood. With regular maintenance you will enjoy it for years to come. Some simple steps will enable you to preserve the full beauty of the timbers. The amount of care required for your timber outdoor setting is directly related to the amount of exposure to the weather. Your timber setting has been pre oiled in the factory but we highly recommend that IT SHOULD NOT BE LEFT / EXPOSED TO THE WEATHER – ONCE EXPOSED TO THE ELEMENTS FOR EVEN A FEW MONTHS WITHOUT PROTECTION YOUR TIMBER MAY DEVELOP CRACKS, CHECKS (SMALL SURFACE CRACKS) AS WELL AS LOSE COLOR (THE RESIN INSIDE THE WOOD, STAIN, MAINTAINING OIL WILL COME OFF IN THE RAIN CAUSING STAINING YOUR TILES / FLOOR). These cracks won't affect the structural integrity of the product.

Therefore, DO NOT LEAVE OUTDOORS WHEN NOT IN USE, as well as applying timber oil is highly recommended within the first 4-6 weeks, it's an easy process of applying to the furniture using a rag. "Remember to always rub in / rub off any excess oil after every application".

In a fully protected environment (e.g. covered patio or verandah) we recommend an exterior timber oil coating two or three times a year. In situations of full exposure to the weather we recommend you use oil with built-in UV protection and re-coating every three months. Please note that the above application periods are a guide only. In periods of extreme weather conditions (high levels of rain or increased hours of sun) it is recommended that you increase the frequency of application. The frequency of applications will depend on the climate prevalent in your area and the appearance of the timber. We also recommend using covers on your furniture when it is not in use or during extreme weather conditions.

If the timber is exposed to rain, the surface fibers of the timber will rise slightly and have a rough texture. This is normal; we recommend a light sanding with a semi-fine sandpaper to return surface to a smooth finish. Then use timber oil with built-in UV protection. If untreated, the outer surface will naturally weather to a silver grey color in time and surface checking (hairline cracks) may develop.

"Feast Watson Furniture Oil" or a similar product is recommended for use to revitalize your Outdoor Timber Furniture. Please ensure that you follow the instructions for both preparation and application of your chosen oil.

NATURAL TIMBER PROCESS

There is a minimal risk of leeching/bleeding. All precautions have been taken to reduce the risk of timber leeching. In the unlikely event there is some leeching, we recommend the following process as a precautionary measure; All timbers contain a content of resin/sap which may initially bleed out when wet. This can stain unsealed and porous surfaces. As the nature of each piece of timber is different, the bleeding period is unpredictable in length of time. To accelerate the bleeding process and to avoid staining we highly recommend hosing the furniture down several times on a grassed area which diminishes the leeching process. Stains may be removed by scrubbing with a strong bleach solution. If left, stains will fade over a period of time. Damp timber surfaces could also stain clothing or cushions if bleeding has not been completed.

IMPORTANT SAFETY INSTRUCTIONS

- Furniture should not be dragged at any time. When moving furniture, lift it, do not drag.
- Avoid swinging backwards on the rear legs of furniture – it could cause breakage and personal injury.