

# RYOBI®

R18HG

ORIGINAL INSTRUCTIONS

## Heat Gun



## **Important!**

This appliance is not intended to be used or cleaned by persons with reduced physical, sensory or mental capabilities, or lack of experience or knowledge, unless they have been given instructions concerning the safe use of the appliance by a person legally responsible for their safety. They should be supervised whilst using the appliance.

Children shall not use, clean or play with this appliance, which when not in use should be secured out of their reach.

Subject to technical modifications.

Safety, performance, and dependability have been given top priority in the design of your heat gun.

### INTENDED USE

The heat gun is intended to be used only by adults who have read and understood the instructions and warnings in this manual, and can be considered responsible for their actions.

The heat gun can be used for the purposes listed below:

- Shrink fitting
- Bending plastic pipes
- Thawing frozen pipes
- Softening adhesives
- Soft soldering
- Window tinting

Do not use the product for any other purposes.

### HEAT GUN SAFETY WARNINGS

- Save these instructions. Refer to them frequently and use them to instruct others who may use this tool. If you loan someone this tool, loan them these instructions also.
- **Keep work area clean and well lit.** Cluttered or dark areas invite accidents.
- **Do not operate the product in explosive atmospheres, such as in the presence of flammable liquids, gases, or dust.** Battery products create sparks which may ignite the dust or fumes.
- **Keep children and bystanders away while operating the product.** Distractions can cause you to lose control.
- The product is intended for household use only.
- The heat gun may start a fire if appropriate precautions are not taken.
- The heat from the heat gun may reach combustible materials which you may not be able to see.
- Do not leave the heat gun unattended while it is operating.
- Keep the heat gun away from rain or water to avoid risks of fire or electric shock.
- Store under cover in a dry place.
- The nozzle gets extremely hot. Wear gloves and eye protection.
- Do not direct the hot airflow towards people or animals.
- Never use the heat gun near flammable materials or in the presence of flammable gases.
- Never reduce the hot airflow by blocking or covering the nozzle.
- Be careful not to touch the nozzle as it becomes extremely hot.
- Ensure that the nozzle does not come into contact with materials during or after operation.
- Always wear eye protection when stripping paint overhead.
- When using the heat gun, do not wear loose clothing or jewellery. Wear non-slip footwear and a hair net to protect and retain hair.
- Make sure you are always well balanced when using the heat gun.
- Ensure that the heat gun is always clean, dry and free from oil or grease.
- Never force the tool or accessories, and only use them for the purpose for which they are designed.
- Always keep the heat gun upright or suspend it with the stand supplied.
- Never use the heat gun in a damp or very wet area (for example: bathrooms, saunas).
- Never leave the heat gun out in the rain and do not use it on very damp days.
- Never push anything down inside the hot air nozzle.
- Always allow the heat gun to cool down completely before storing it.
- Always store the heat gun in a safe place, out of the reach of children. It is not a toy.
- A fire may result if the product is not used with care, therefore:
  - be careful when using the product in places where there are combustible materials;
  - do not apply to the same place for a long time;
  - do not use in presence of an explosive atmosphere;
  - be aware that heat may be conducted to combustible materials that are out of sight;
  - place the product upright and allow it to cool down before storage;
  - do not leave the product unattended when it is switched on.
- Check the area where the heat gun is to be used. Behind ceilings, floors and false ceilings may contain highly flammable material. Always check these before using the heat gun.
- When working on small or irregular shaped objects, clamp the object in a vice or clip.
- Ensure the tool switch is at off position before installing the battery pack.
- Remove the battery pack from the heat gun when it is not in use. Ensure that the heat gun cannot start accidentally. If the heat gun stops while it is in use, disconnect it from the power supply and have it serviced by an authorised service centre.
- Always concentrate on the job and use common sense when working with the product. Do not use the product when you are tired or taking medication that may make you drowsy.
- Never use the heat gun in combination with solvents.
- After use, remove any paint or varnish residue on the nozzle and scrapers. This could catch fire.
- Always work in a well ventilated area. Flakes and residues of lead-based paints are highly toxic.
- Do not expose battery products to rain or wet conditions. Water entering a battery product will increase the risk of electric shock.
- Use the product only for its intended use as described in this manual.
- If the product is not working properly, has been dropped, damaged, left outdoors or dropped into water, return to your nearest service centre.
- Do not handle the product or charger with wet hands.
- The product should be charged in a location where the temperature is more than 10°C but less than 38°C.

## BATTERY AND CHARGER SAFETY WARNINGS

- Connect and disconnect the battery pack properly.
  - To install battery pack:
    - Place the battery pack on the product.
    - Make sure the latches on each side of the battery pack snap into place and the battery pack is secured on the product before beginning operation.
  - To remove battery pack:
    - Depress the latches on the side of the battery pack.
    - Remove the battery pack from the product.
- Remove battery when the product is not in use and before servicing.
- Do not place batteries near fire or heat. They may explode.
- Rechargeable batteries are to be removed from the product before being charged.
- Different types of batteries or new and used batteries are not to be mixed.
- Batteries are to be inserted with the correct polarity.
- Exhausted batteries are to be removed from the product and safely disposed of.
- If the product is to be stored unused for a long period, the batteries should be removed.
- The supply terminals are not to be short-circuited.
- Under extreme usage or temperature conditions, battery leakage may occur. If liquid comes in contact with skin, wash at least 10 minutes then seek immediate medical attention.
- Batteries vent hydrogen gas and can explode in the presence of a source of ignition, such as a pilot light. To reduce the risk of serious personal injury, never use any cordless product in the presence of an open flame. An exploded battery can propel debris and chemicals. If exposed, flush with water immediately.
- Electric shock could occur if the battery is charged outdoors or on wet surfaces.
- Do not expose charger to wet or damp conditions.
- Use of an attachment not recommended or sold by the battery charger manufacturer may result in a risk of fire, electric shock, or injuries to person.
- To reduce risk of damage to charger body and cord, pull by charger plug rather than cord when disconnecting charger.
- Make sure cord is located so that it will not be stepped on, tripped over, or otherwise subjected to damage and stress.
- An extension cord should not be used unless absolutely necessary. Use of improper extension cord could result in a risk of fire and electric shock. If extension cord must be used, make sure:
  - a) That pins on plug of extension cord are the same number, size and shape as those of plug on charger.
  - b) That extension cord is properly wired and in good electrical condition.

- Do not operate charger with a damaged cord or plug. If damaged, have it replaced immediately by a qualified serviceman.
- Do not operate charger if it has received a sharp blow, been dropped, or otherwise damaged in any way; take it to a qualified serviceman.
- Do not disassemble charger; take it to a qualified serviceman when service or repair is required. Incorrect reassembly may result in a risk of electric shock or fire.
- To reduce risk of electric shock, unplug the charger from outlet before attempting any maintenance or cleaning. Turning off controls will not reduce this risk.
- Disconnect charger from power supply when not in use.
- Risk of electric shock. Do not touch uninsulated portion of output connector or uninsulated battery terminal.

## ADDITIONAL SAFETY WARNINGS

### ⚠ WARNING

The product is not intended for use by persons (including children) with reduced physical, sensory or mental capabilities, or lack of experience and knowledge, unless they have been given supervision or instruction concerning use of the product by a person responsible for their safety.

Children should be supervised to ensure that they do not play with the product.

## ADDITIONAL BATTERY SAFETY WARNINGS

### ⚠ WARNING

To reduce the risk of fire, personal injury, and product damage due to a short circuit, never immerse your tool, battery pack or charger in fluid or allow a fluid to flow inside them. Corrosive or conductive fluids, such as seawater, certain industrial chemicals, and bleach or bleach-containing products, etc., can cause a short circuit.

## TRANSPORTING LITHIUM BATTERIES

Transport the battery in accordance with local and national provisions and regulations.

Follow all special requirements on packaging and labelling when transporting batteries by a third party. Ensure that no batteries can come in contact with other batteries or conductive materials while in transport by protecting exposed connectors with insulating, non-conductive caps or tape. Do not transport batteries that are cracked or leaking. Check with the forwarding company for further advice.

## RESIDUAL RISKS

Even when the product is used as prescribed, it is still impossible to completely eliminate certain residual risk factors. The following hazards may arise and the operator

should pay special attention to avoid the following:

- A fire may result if the product is not used with care, therefore:
  - be careful when using the product in places where there are combustible materials;
  - do not apply heat to the same area for a long time;
  - do not use in presence of an explosive atmosphere;
  - be aware that heat may be conducted to combustible materials which are out of sight;
  - place the product upright and allow it to cool down before storage;
  - do not leave the product unattended when it is switched on.



Hot surface! Do not touch!



Waste electrical products should not be disposed of with household waste. Please recycle where facilities exist. Check with your local authority or retailer for recycling advice.

## MAINTENANCE

### WARNING

The product should never be connected to a power supply when assembling parts, making adjustments, cleaning, performing maintenance, or when the product is not in use. Disconnecting the product will prevent accidental starting that could cause serious injury.

- When servicing, use only identical replacement parts. Use of any other parts may create a hazard or cause product damage.
- Avoid using solvents when cleaning plastic parts. Most plastics are susceptible to various types of commercial solvents and may be damaged by their use. Use clean cloths to remove dirt and carbon dust.
- Do not, at any time, let brake fluids, gasoline, petroleum-based products, penetrating oils, etc., come in contact with plastic parts. They contain chemicals that can damage, weaken, or destroy plastic.
- Cleaning and user maintenance shall not be made by children without supervision.
- For greater safety and reliability, all repairs should be performed by an authorised service centre.

## ENVIRONMENTAL PROTECTION



Recycle raw materials instead of disposing of as waste. The machine, accessories and packaging should be sorted for environment-friendly recycling.

## SYMBOLS ON THE PRODUCT



Safety alert



Regulatory Compliance Mark (RCM). Product meets applicable regulatory requirements.

V

Volts



Direct current



Please read the instructions carefully before starting the machine.

## SYMBOLS IN THIS MANUAL



Note



Parts or accessories sold separately

The following signal words and meanings are intended to explain the levels of risk associated with this product:

### DANGER

Indicates an imminently hazardous situation, which, if not avoided, will result in death or serious injury.

### WARNING

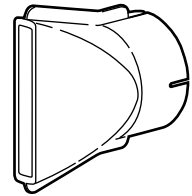
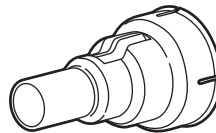
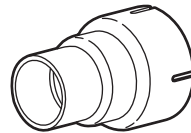
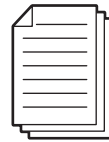
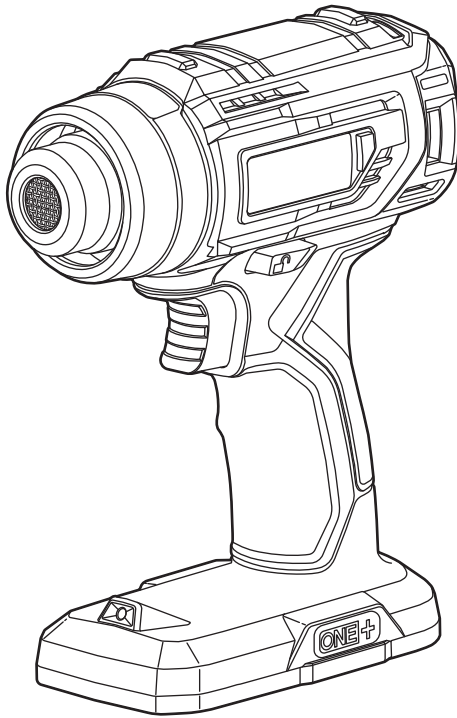
Indicates a potentially hazardous situation, which, if not avoided, could result in death or serious injury.

### CAUTION

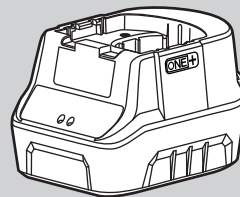
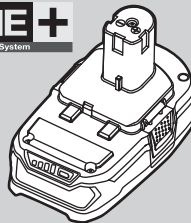
Indicates a potentially hazardous situation, which, if not avoided, may result in minor or moderate injury.

### CAUTION

(Without Safety Alert Symbol) Indicates a situation that may result in property damage.

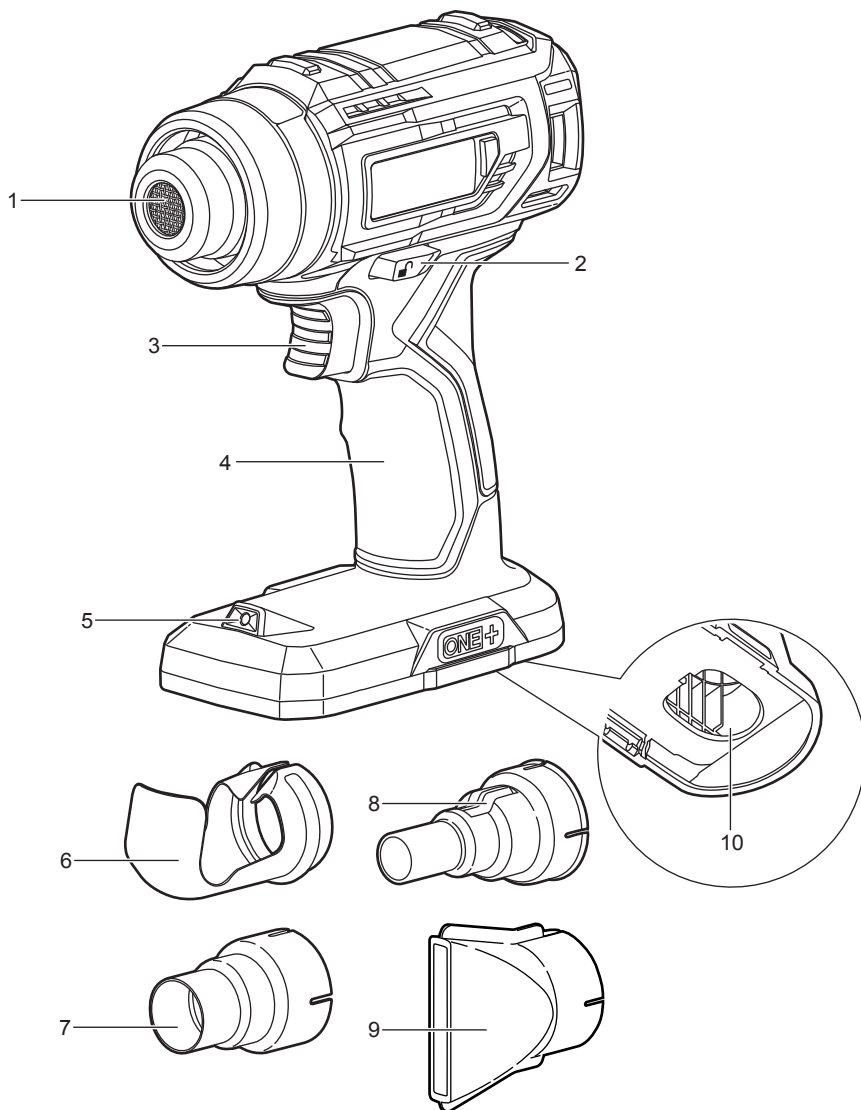


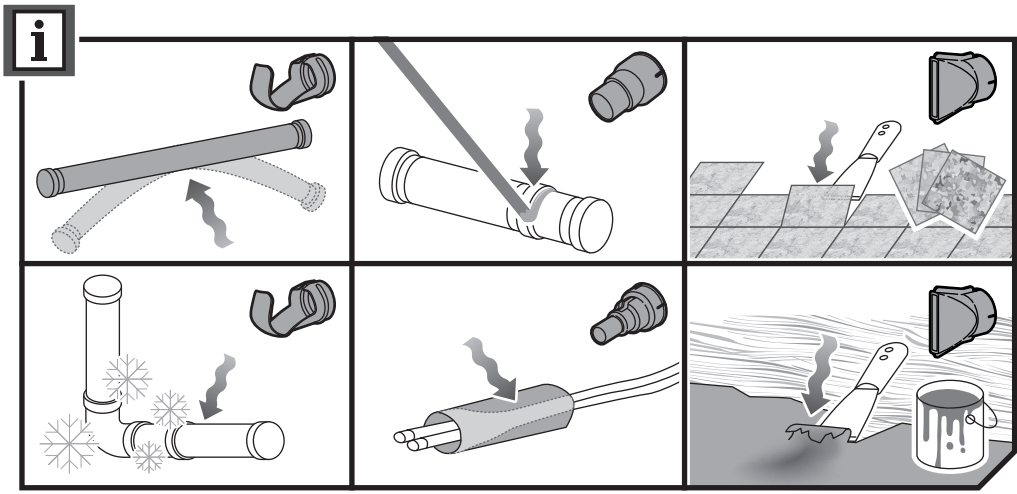
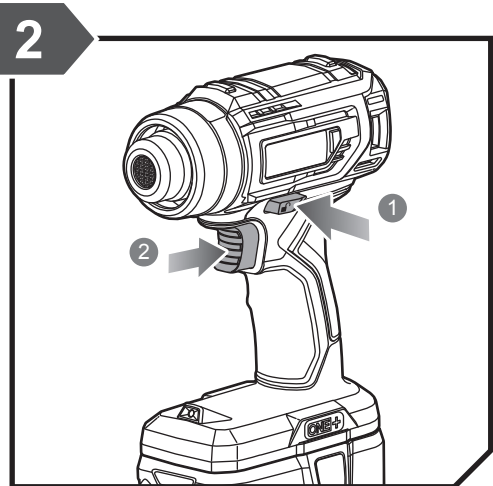
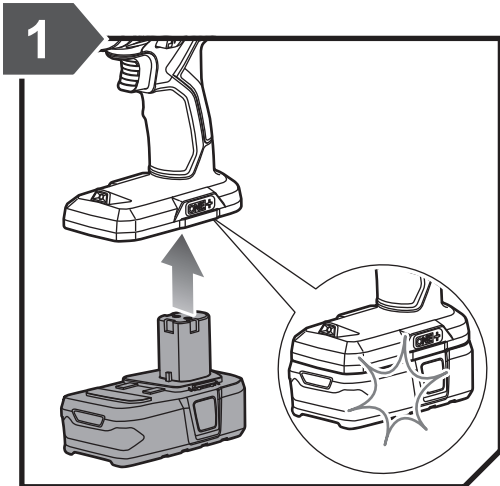
**RYOBI** **ONE+**  
14V System



## KNOW YOUR PRODUCT

1. Heat gun nozzle
2. Lock-off button
3. Switch trigger
4. Handle, insulated gripping surface
5. LED light
6. Deflector nozzle
7. Concentrator nozzle
8. Round jet nozzle
9. Flat jet nozzle
10. Battery port

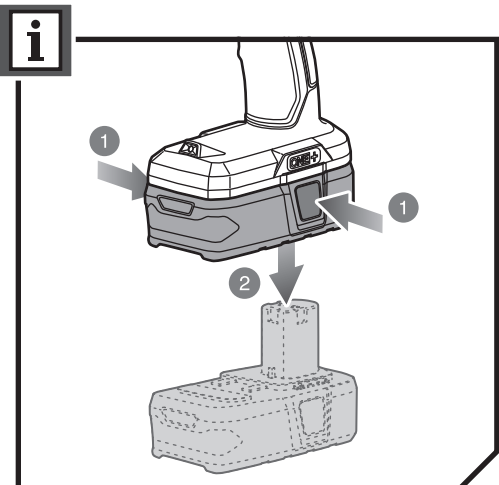
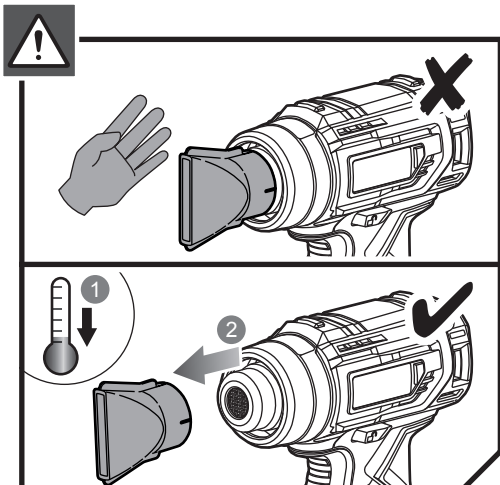
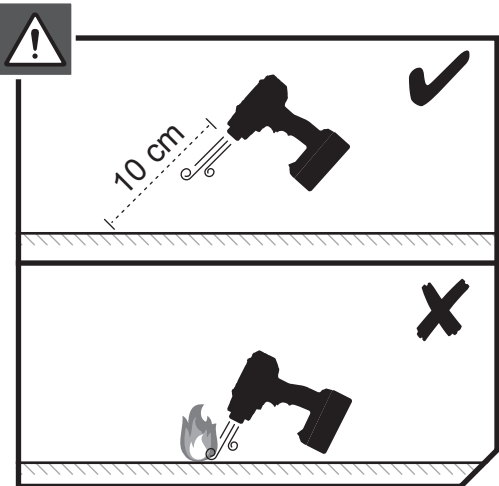
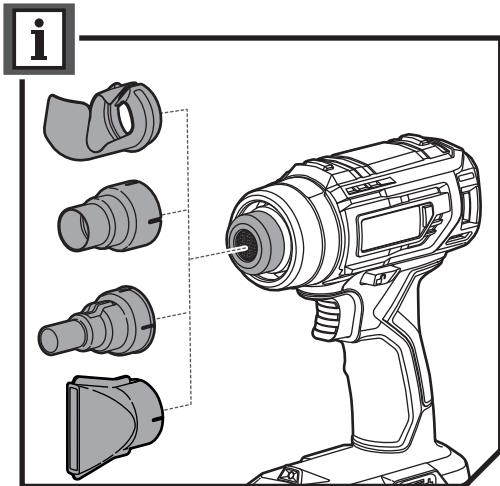




20190509v1








## PRODUCT SPECIFICATIONS

Heat gun

Model R18HG

Voltage 18 V 

Maximum temperature 460 °C

Air flow 170 l/min

Weight - not incl. battery pack 0.61 kg

## REPLACEMENT PARTS

Nozzle assembly 5131042184

## BATTERY AND CHARGER

Model	Compatible battery pack (not included)	Compatible charger (not included)
Lithium-Ion	RB18L13	BCS618G
	RB18L15	BCL14181H
	RB18L20	BCL14183H
	RB18L25	BCL1418IV*
	RB18L40	RC18150
	RB18L50	RC18150U
	RB18L90A	RC18627U
		RC18115
		RC18120

\* for vehicles with 12V DC outlets





*RYOBI is a trademark of Ryobi Limited,  
and is used under license.*

Imported by:

**Techtronic Industries Australia Pty Ltd**  
31 Gilby Road, Mount Waverley,  
VIC. 3149, Australia  
**Techtronic Industries N.Z. Limited**  
Unit C, 70 Business Parade South,  
Highbrook, Auckland 2013, New Zealand