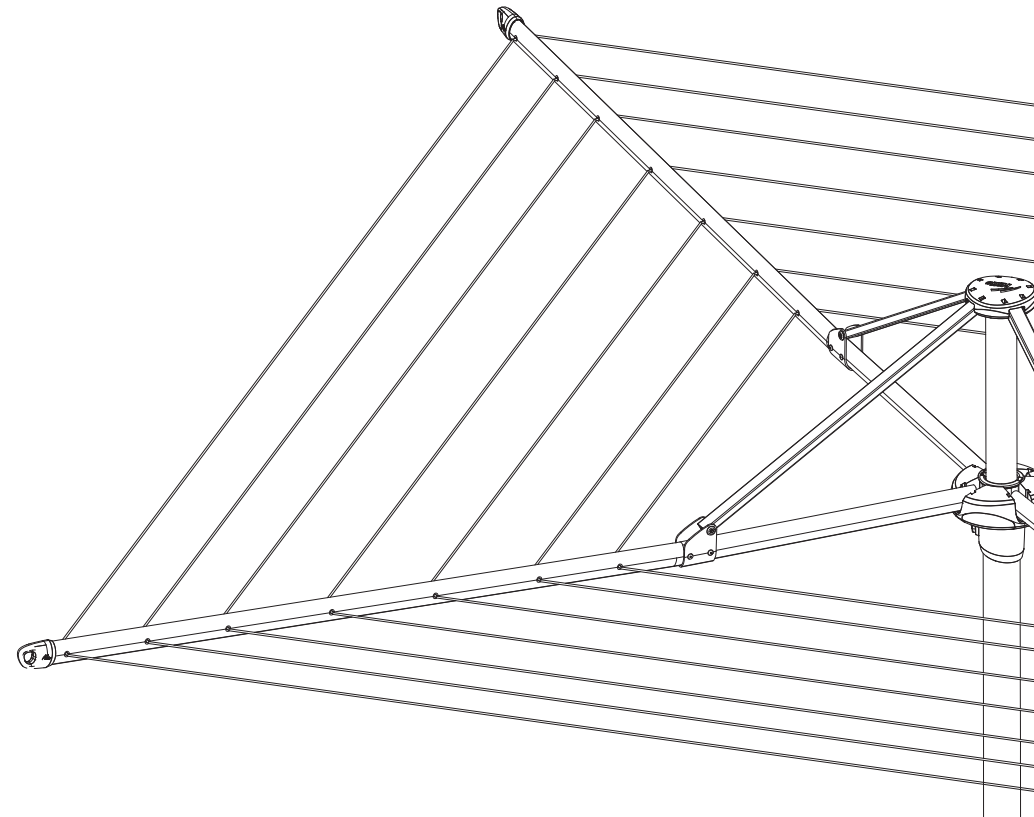




Medium & Large Rotary Clothesline

Owner's Manual
101066, 101067, 101068, 101069



Contacts

We are committed to providing you with complete customer satisfaction. If you have any questions or comments about our products or services please contact your nearest Customer Service Centre during their local business hours:

Australia

1300 300 564

New Zealand

0800 021 027

Email

hhl.enquiries@amesau.com

Hills Websites

Hills Home Living

hillshome.com.au

Hills Consumer Advice

hillshome.com.au/need-help



AMES Australasia Pty Ltd.

ABN 89 169 427 061

Issue August 2019

Hills Lifetime Warranty

AMES Australasia Pty Ltd warrants that this Hills product will be free from defects in manufacturing of the frame and lifting mechanisms for the lifetime of the original purchaser of the product. This warranty does not extend to plastic hanging line or the surface finish of the product from weathering. If a defect covered by this warranty becomes evident during that period, AMES Australasia Pty Ltd will, at its option, replace the product, supply replacement parts for the product or refund the product. The cost or labour required to install any replacement part or product supplied under a valid warranty claim is not covered.

In the event of a defect covered by this warranty, you should contact the Hills Customer Service Centre using the details below. You will require proof of purchase. Any expenses incurred in making a claim under this warranty are not covered by the warranty.

This warranty does not apply to any defect or damage caused by accident, improper use, abuse, neglect, or unauthorised alteration or repair. This warranty does not apply where the product was not installed in accordance with the product installation instructions. This warranty does not apply to any costs incurred in the installation of the product.

For products purchased in Australia

Our goods come with guarantees that cannot be excluded under the Australian Consumer Law. You are entitled to a replacement or refund for a major failure and compensation for any other reasonably foreseeable loss or damage. You are also entitled to have the goods repaired or replaced if the goods fail to be of acceptable quality and the failure does not amount to a major failure.

For products purchased in New Zealand

Our goods come with guarantees that cannot be excluded under the Consumer Guarantees Act. AMES Australasia Pty Ltd will comply with our obligations to you under the Consumer Guarantees Act.

12

AMES Australasia Pty Ltd.
ABN 89 169 427 061
Level 1, 660 Doncaster Road,
Doncaster, VIC 3108 Australia

Introduction

Congratulations

Congratulations on the purchase of your new **Hills Rotary Clothesline** which will bring you many years of trouble free and efficient drying.

It is important that you read this Owner's Manual thoroughly before installation and use. In this way you will benefit from all the design features and enjoy safe use of the product. Thank you for choosing Hills.

Warning

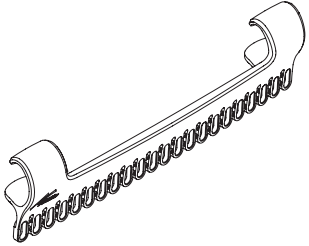
- Do not allow children or pets to swing on the clothesline or items of laundry.
- Ensure when raising and lowering your clothesline that bystanders (in particular children) are standing well clear.
- Do not use for any purpose other than to hang and dry washing.
- Do not use your clothesline if parts are worn or damaged.
- Do not allow the frame to lower in an uncontrolled manner as this may result in damage or injury.

WARNING: Follow the instructions carefully. Do not push the ground socket into wet concrete when installing.

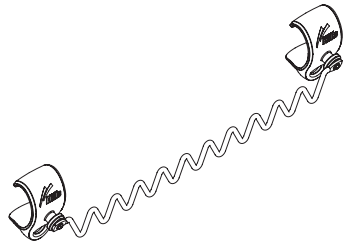
1

* Get the most out of your Hills product with our additional accessories sold separately.

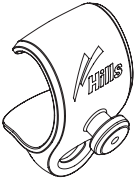
Sock rail
Item # 80101663



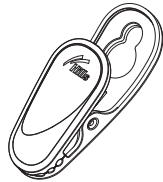
Coat hanger rail
Item # 80101649



Accessory clips 2pk
Item # 80101656



Sheet and towel pegs 4pk
Item # 80101670

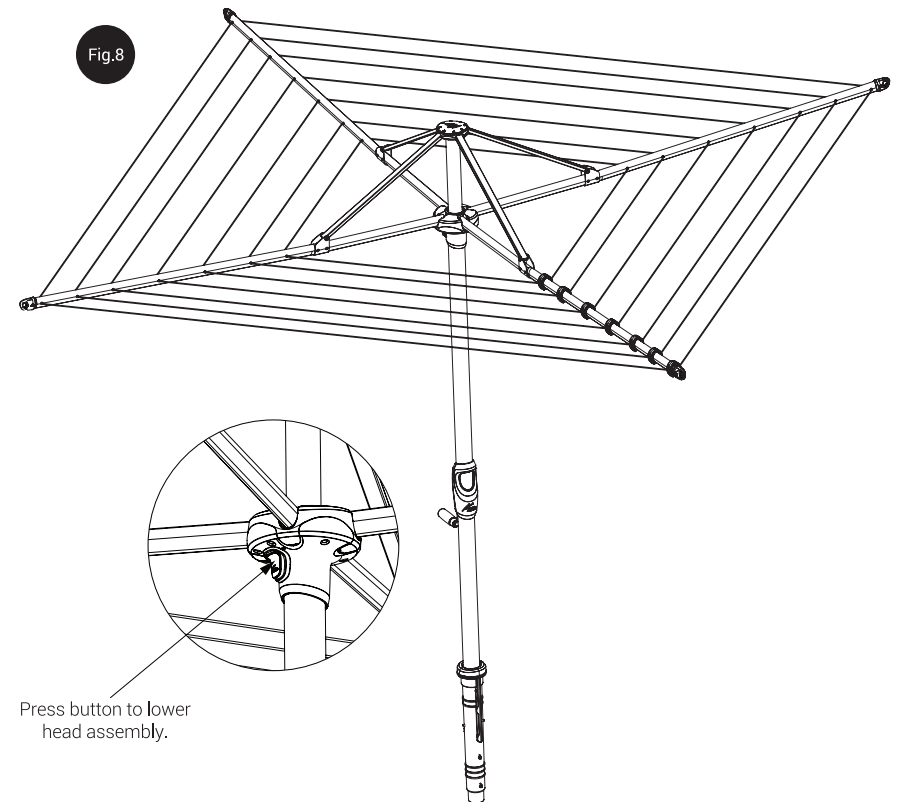


Line cleaner
Item # 80101632



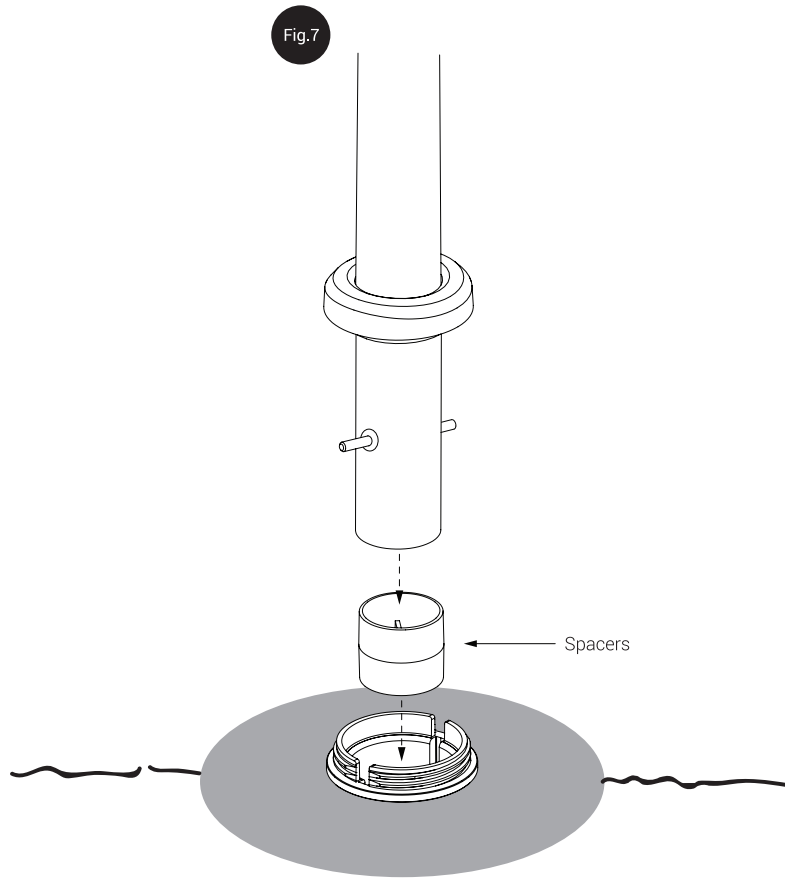
Operating the hoist

- 4.1 Remove the packing ties from around the lines and make sure the lines are tangle free. Grip and push the lower cross and arms up until the latch engages and clicks into position.
- 4.2 To fold the arms into their closed position, press the button and this will lower the head assembly. (Figure 8)



- 4.3 Unscrew the locking collar and remove the clothesline from the ground socket to give your garden space back.

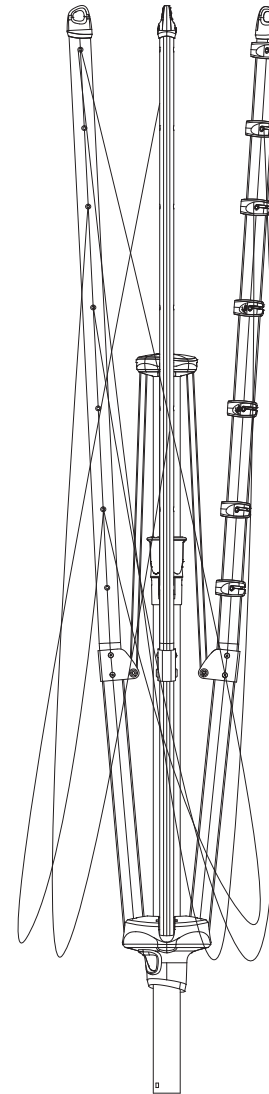
3.3 If you wish to adjust the height of your rotary clothesline from the ground, remove the clothesline from the ground socket, and insert the spacers to the desired height. (Figure 7)



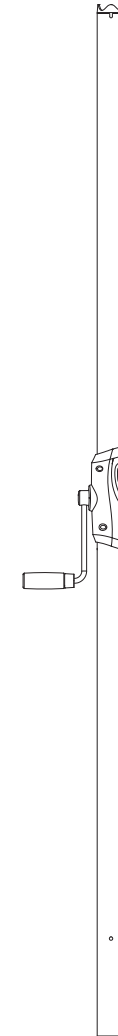
Carton contents

Medium and Large Rotary Clothesline.

X1 Pre-lined head assembly



X1 Main pole



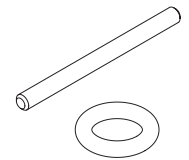
X1 Ground socket with locking cover



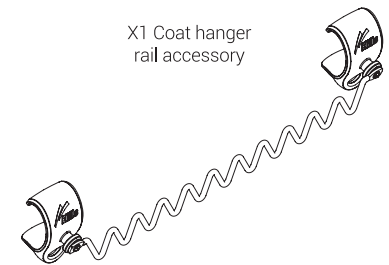
X2 Plastic spacers



X1 Locking pin & X2 O-Rings



X1 Coat hanger rail accessory



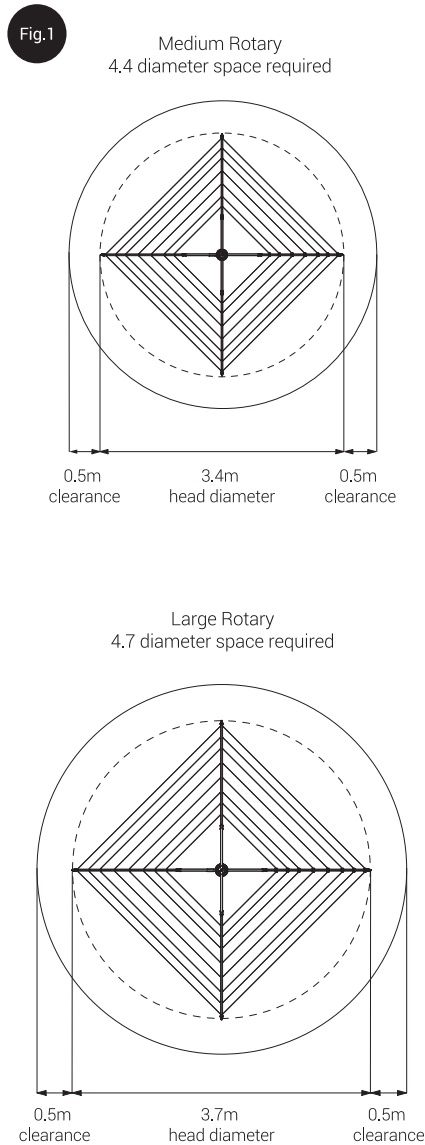
10

3

Installation

Select a suitable location and install the ground socket

- 1.1 Select a suitable location which allows at least 0.5m clearance around the Rotary head assembly. (Figure 1)

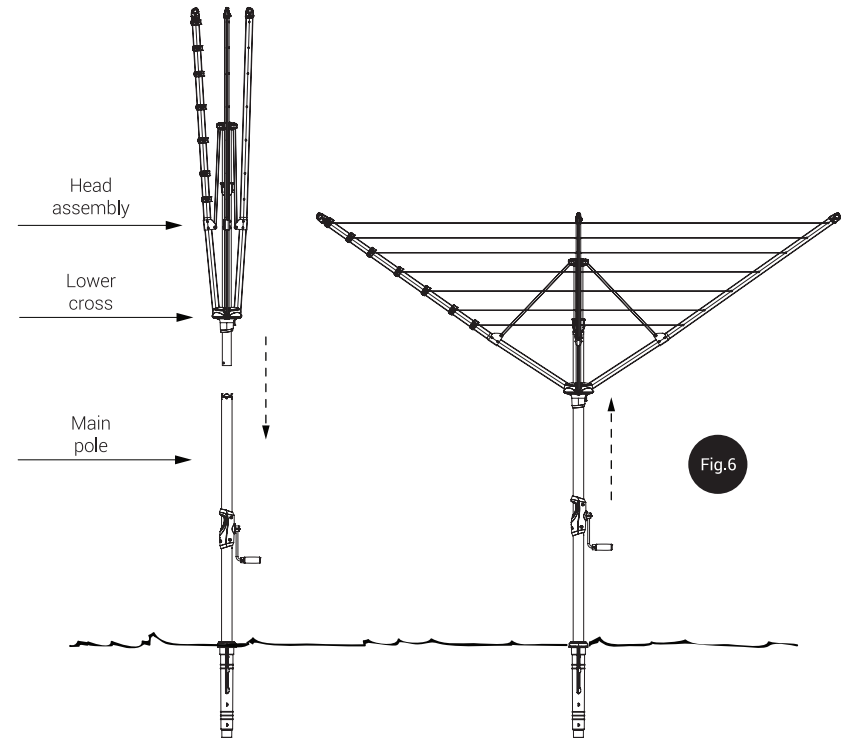


4

Assemble the hoist

***Note:** Once the head assembly is engaged into the main pole it cannot be removed without significant force.

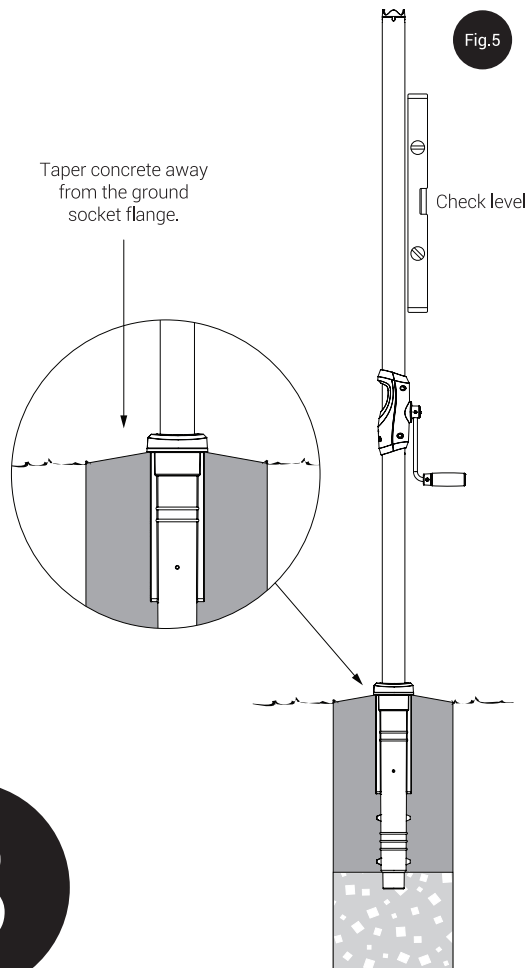
- 3.1 Place the bottom of the Head Assembly into the top of the main pole and lower gently until it stops. (Figure 6)
- 3.2 To engage and lock the head assembly, raise the head assembly slightly and lower again until a click is heard. Check the head assembly is locked into position by lifting upwards.



9

WARNING: Do not push the ground socket into setting concrete. Ensure concrete doesn't cover the locking collar.

- 2.5 Support the main pole into position and pour concrete mix around the ground socket. Check the main pole is vertical with a spirit level. Ensure the concrete finishes below the locking collar flange and pole. Taper away from the top flange so rain water runs away from the ground socket.
- 2.6 Leave the main pole in the ground socket until the concrete has set. Allow 24 hours for the concrete to set before final assembly. (Figure 5)

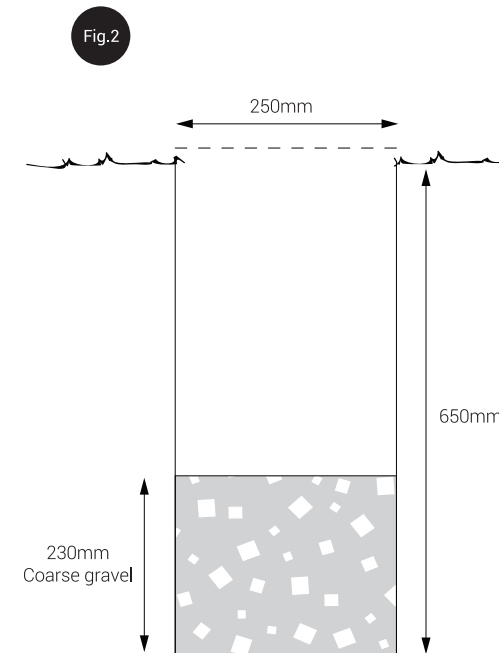


8

Install the ground socket

WARNING: Do not push the ground socket into setting concrete. It's important to follow the instructions and pour wet concrete around the ground socket.

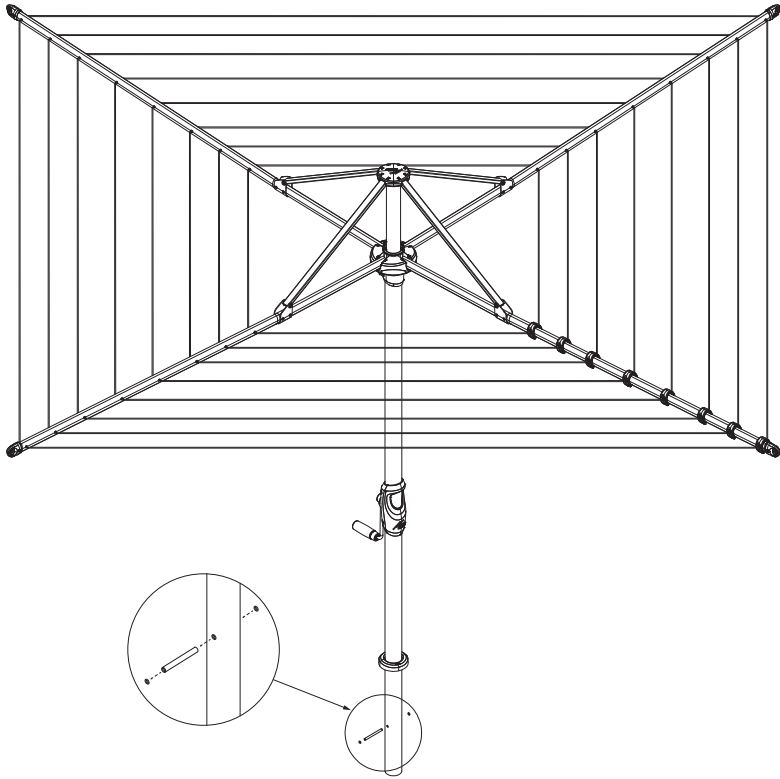
- 2.1 Dig a hole 250mm (10") diameter by approximately 650mm (26") deep. Place approximately 230mm (8") of coarse gravel into the hole. This ensures water can drain from the ground socket. (Figure 2)



5

- 2.2 Slide the locking collar onto the main pole. Push the index locking pin through the hole at the bottom of the main pole. Attach a small O-ring either side of the pin holding it tight against the main pole. (Figure 3)

Fig.3

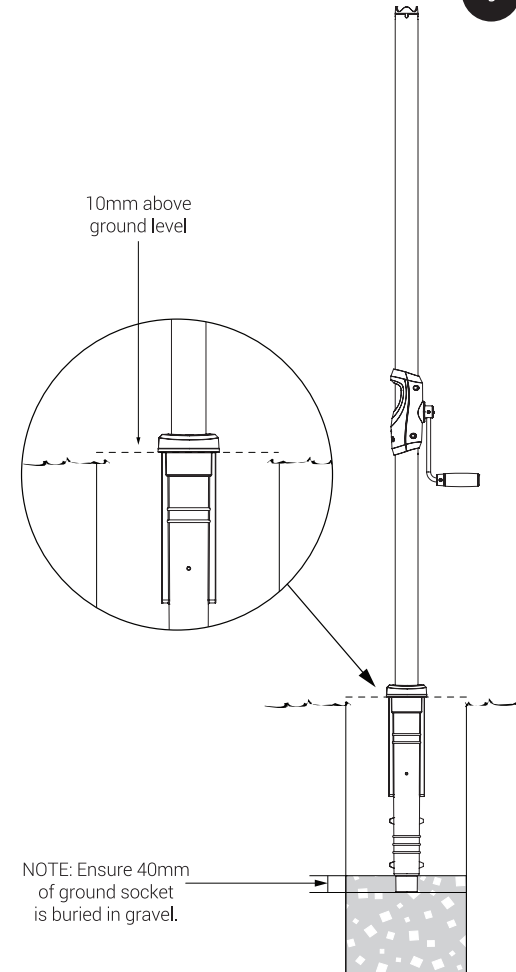


- 2.3 Insert the main pole into the ground socket guiding the index pin into the X2 grooves in the ground socket. Screw the locking collar onto the ground socket.

6

- 2.4 Place the ground socket and main pole into the hole. Push the base of the ground socket into the gravel. Ensure there is approximately 40mm of the ground socket buried into the gravel. Ensure the top of the ground socket sits approximately 10mm above the ground level. (Figure 4)

Fig.4



7