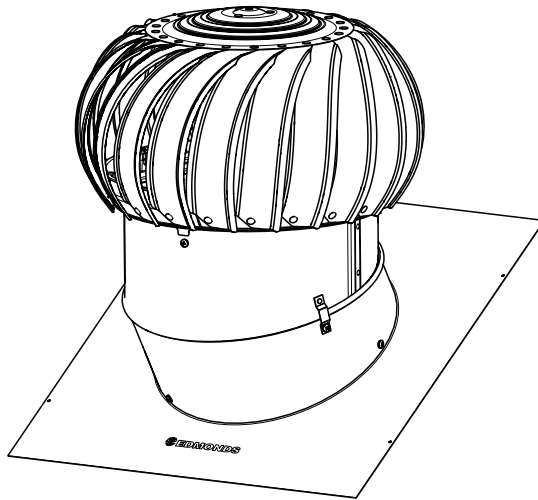


WindMaster

Installation Manual



Item Checklist & Additional Tools Required For Installation

Included Parts:		Qty:
1	Windmaster Top	1
2	Varipitch	1
3	Flashing	1
4	Fixing Strap	1
5	Screw Pack	1
6	Instruction Document	1
7	Warranty Document	1

Additional Parts & Tools Required (Not Supplied)

Soft Rubber Hammer
Caulking Gun
Silicone Sealant (Non BAL Install Only)
Angle grinder with cutting disc (Tile roof only)
Screw/Nail for fastening Fixing Strap (Tile roof only)
Knife (Sarked roof only)
Foil Tape (Sarked roof only)
Marker Pen
Nibbler or Similar Cutting Tool (Metal roof only)
10G Tek Screws or Sealed Rivets (Metal roof only)
Cordless Driver with #2 Phillips Bit
Combination Pliers

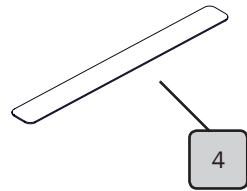
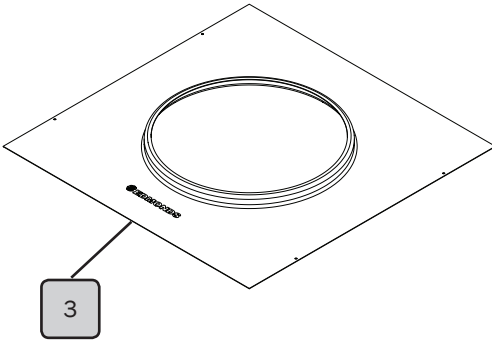
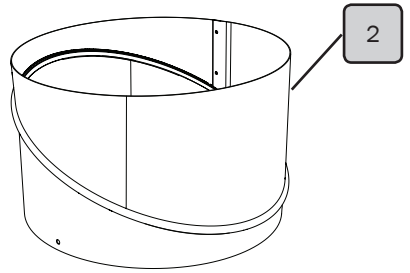
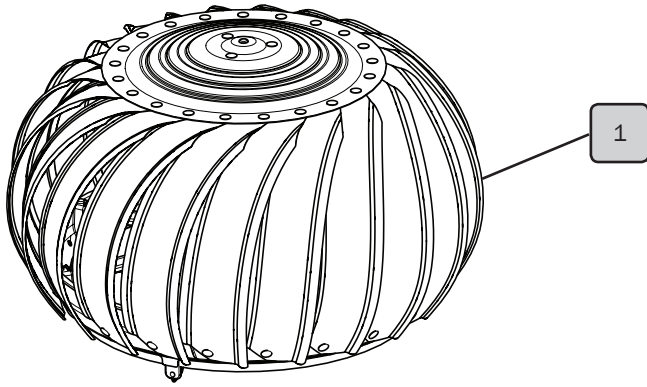
For BAL installations - Roof Pitch greater than 18°

Tile Roof: Only Selleys FlameFlex or Bostik Fireban One can be used as a sealant.

Metal Roof: Only Bostik Fireban One can be used as a sealant.

Care should be taken when forming the flashing so that there are no gaps between the roofing material and the flashing greater than 3mm. Seal any gap greater than 3mm with appropriate sealant

For BAL installations the sparkguard **MUST** be installed prior to commencing this installation process. Follow the specific sparkguard installation instructions included with the sparkguard



Warnings and Important Notices

WARNING: Do not proceed with the installation until you have read the entire instructions, including these warnings.

INSTALL AT YOUR OWN RISK

The installation of this product may be dangerous and includes the potential of death, personal injury or property damage. Please be aware of the following before installing this product.

- Follow any state or territory regulator OH&S guidelines for working at height (e.g. Roof work), electrical, working in elevated temperatures (e.g. roof space in summer).
- Installation requires climbing and working at heights. Use caution to minimise risks by:
 - Clearing the area below the workspace
 - Not walking on surfaces that are slippery, wet or dusty
 - Using appropriate equipment (tie off ladders etc.)
- DO NOT attempt to install if you are uncomfortable with working at heights or on sloping roof surfaces
- There are sharp edges on the flashing, cut tiles, roof sheeting etc. Take care and wear personal protective equipment when handling and installing products
- Be aware of electrical cabling in the roof. If there is any sign of risk, isolate the power before entering the roof space. Be aware that there can be non-isolated electrical cables such as mains supply and solar supply. Note if these are in the roof space and avoid these items.
- If installing eave vents be careful to determine that the eave cladding material does not contain asbestos. If it does or you cannot determine the make up, then the eave vent can only be installed using correct asbestos handling procedures by a person trained and/or licensed to handle asbestos.

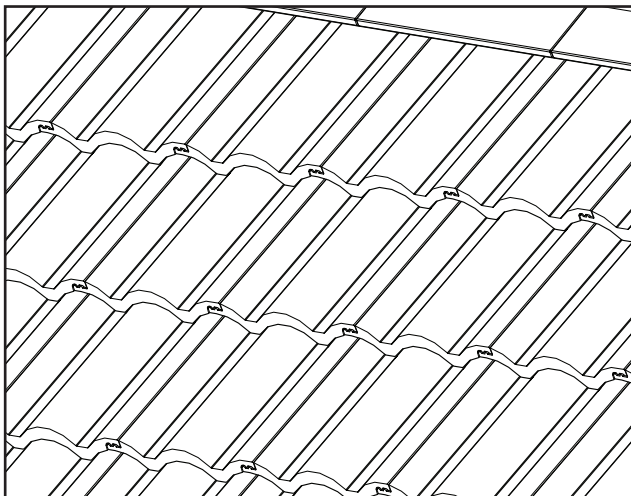
Installation - Tiled Roof

For BAL installations the sparkguard **MUST** be installed prior to commencing this installation process. Follow the specific sparkguard installation instructions included with the sparkguard

STEP 1

Select a suitable position along the roof that has no obstructions below the tiles (such as a rafter or cross brace)

Ensure the ventilator is installed no higher than the third row of tiles down from the ridge.

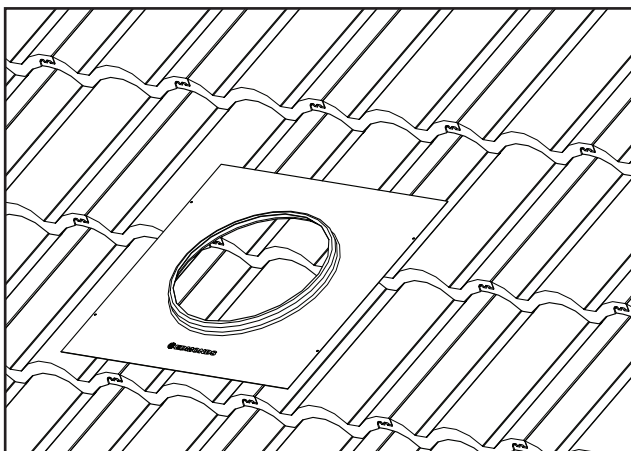


The installation occurring higher than the third row of tiles down from the ridge may damage the ridge tile pointing and is NOT recommended.

STEP 2

Position the flashing in the desired location so that the tiles that need to be cut or removed can be determined

Mark out the cuts required for the tiles.



Depending on roof construction a tile batten may be obstructing a clear access to the throat. This batten can be left in place with the Windmaster sitting above it.

Installation - Tiled Roof

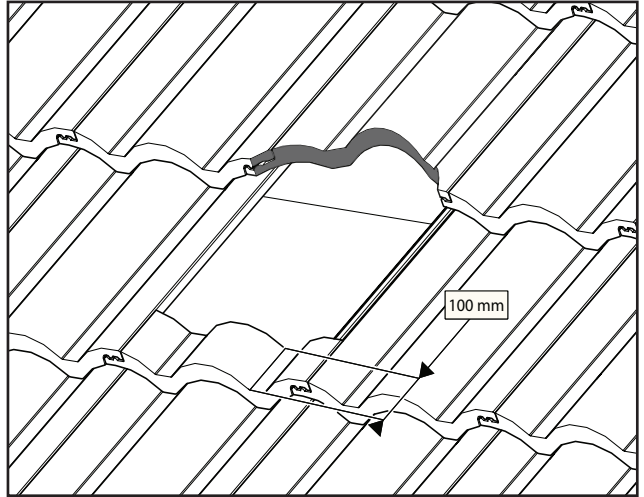
STEP 3

Cut the tiles that were marked in the earlier step.

Cut the approximately 100mm of removed tile.

Install the cut portion of the tile so that it is inline the the lower edges of the surrounding tiles

This provides an edge to seal the flashing against.

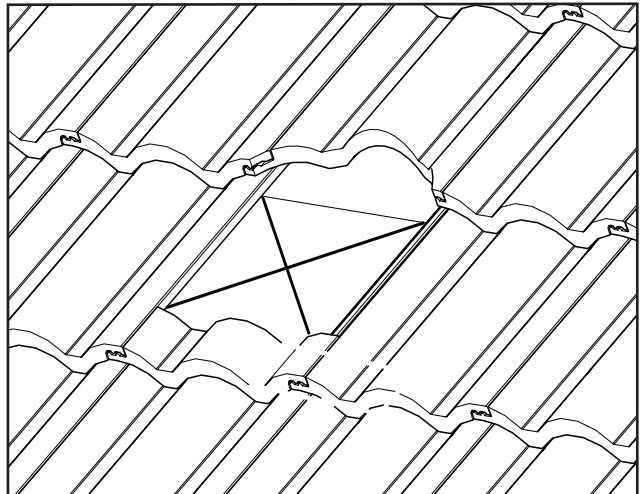


Folding the cut sarking flaps back on themselves results in a gutter arrangement that helps to prevent any water running down the sarking from entering through the opening

STEP 4

If the roof is sarked, cut sarking in a cross and fold back onto itself to give a 300mm opening.

Tape the corners to the surrounding sarking with foil tape to prevent them fouling the ventilator.

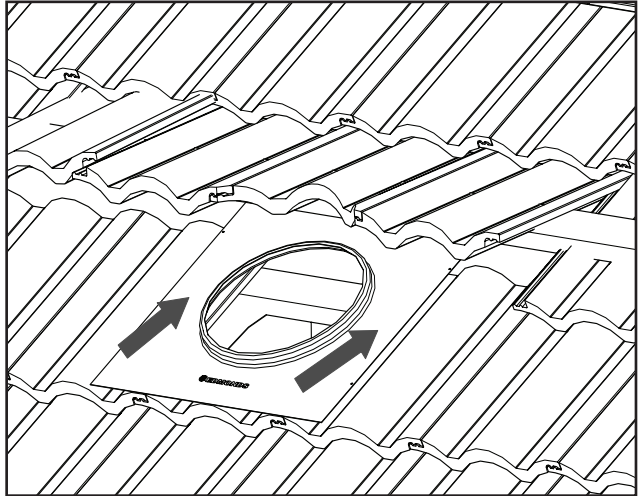


Installation - Tiled Roof

STEP 5

Lift the higher row of tiles and using a piece of timber or similar wedge the tiles in the up position.

Return the flashing to the roof and place as per the initial markings made in step 2.



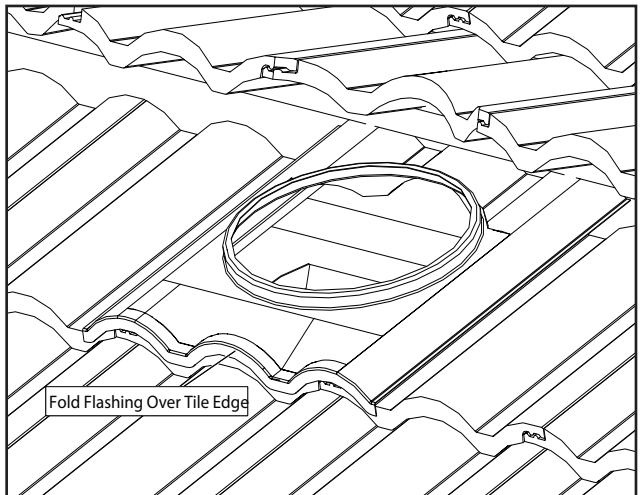
Take care to avoid unnecessary movement of the top row of tiles. Excessive movement of these tiles may damage the ridge tile pointing.

STEP 6

Using a soft hammer, form the flashing to conform with the tile profile.

Turn the lower edge of the flashing over the lower tiles.

Form the rear of the flashing so that the higher tiles can be replaced with minimal gaps.



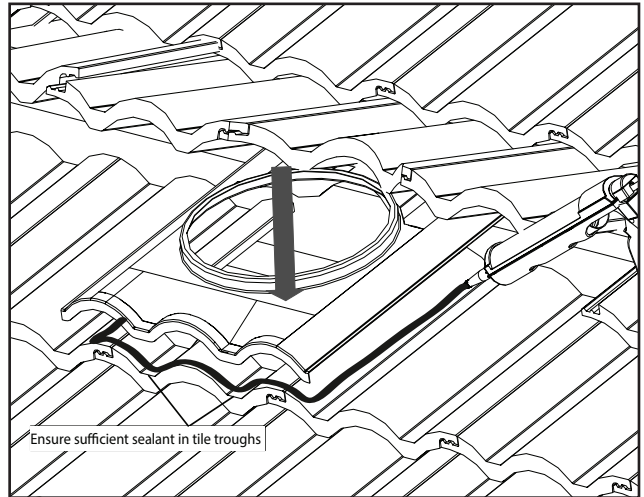
Installation - Tiled Roof

STEP 7

Lift or remove the formed flashing.

Using an appropriate sealant apply a 15-20mm wide bead of sealant around the perimeter of the flashing area.

Return the flashing to the tiles ensuring no gaps greater than 3mm are present. Seal any gaps along the front or side with additional sealant



For BAL compliance, no gaps between the flashing and roofing material greater than 3mm may be present.

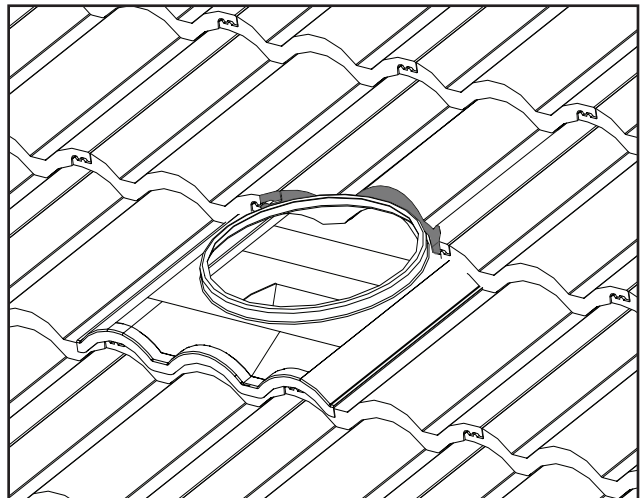
Seal any gaps greater than 3mm with Selley's FlameFlex or Bostik Fireban One sealant.

STEP 8

Return the higher row of tiles to the flashing.

These should have been cut to provide a tight fit.

Manipulate the flashing to get a good fit.

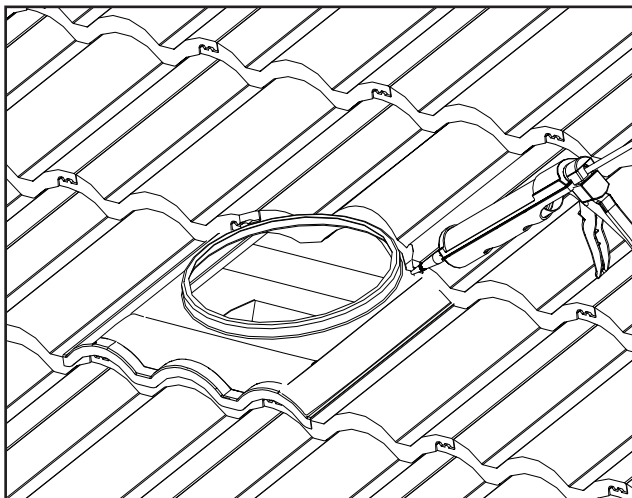


Installation - Tiled Roof

STEP 9

Seal the flashing to the higher row of tiles with appropriate sealant.

For BAL installations use Selleys FlameFlex or Bostik Fireban One to ensure that there are no gaps between the flashing and tiles greater than 3mm.



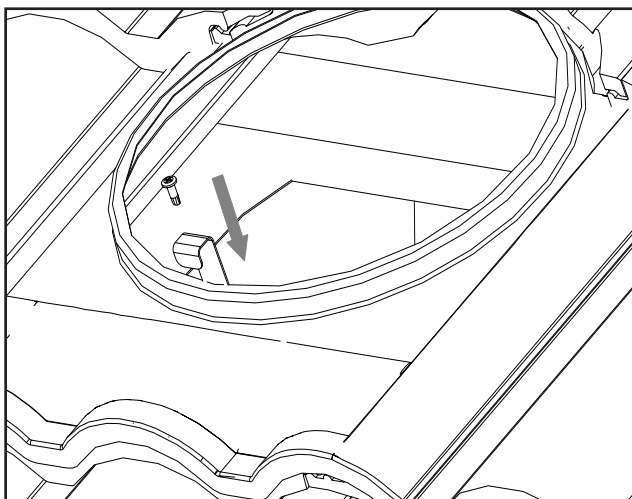
For BAL compliance, no gaps greater than 3mm may be present. A water tight install can be achieved by carefully forming the flashing to the tile profiles.

STEP 10

Using the pliers fold the end of the fixing strap into a hook and drop it over the flashing upstand.

Fix the fixing strap to the flashing upstand with a screw (not provided)

If a sparkguard is fitted then the fixing strap should have already been fitted during the installation of the sparkguard.



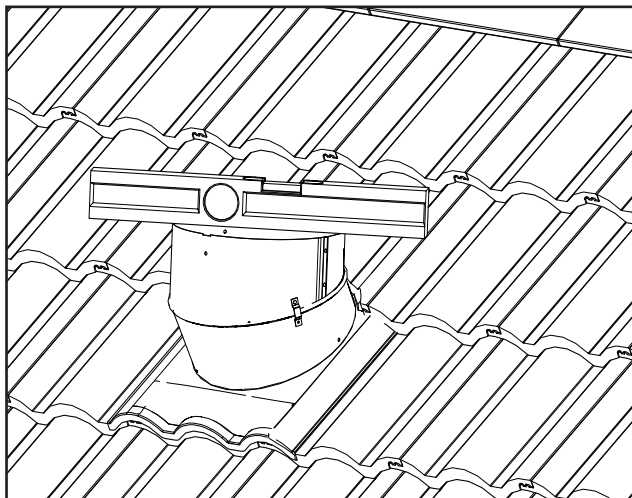
Installation - Tiled Roof

STEP 11

Using a spirit level for guidance, rotate the two varipitch halves until the top of the varipitch is horizontal.

Varipitch adjustments are best made off the flashing and then returned to check the position.

Ensure the varipitch is the correct way up by keeping the notched edge to the top.

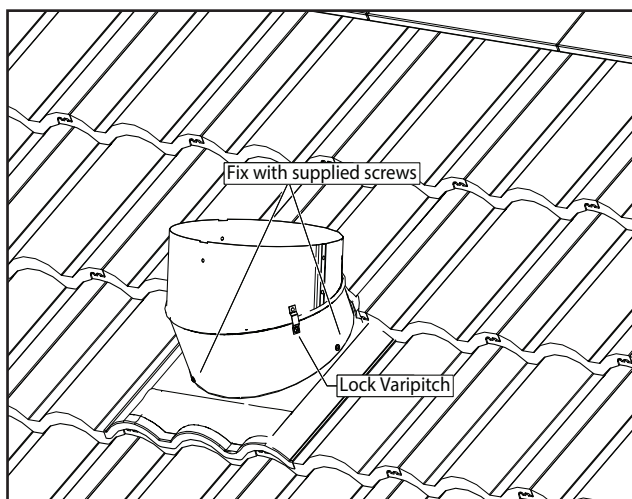


Ensure the top of the varipitch is horizontal relative to both the lateral axis across the roof and the longitudinal axis in-line with the roof pitch.

STEP 12

Screw the varipitch to the flashing with the three screws provided at the pre-drilled holes on the varipitch.

Lock the varipitch by screwing the fixing clip into the lower half with one of the screws provided.



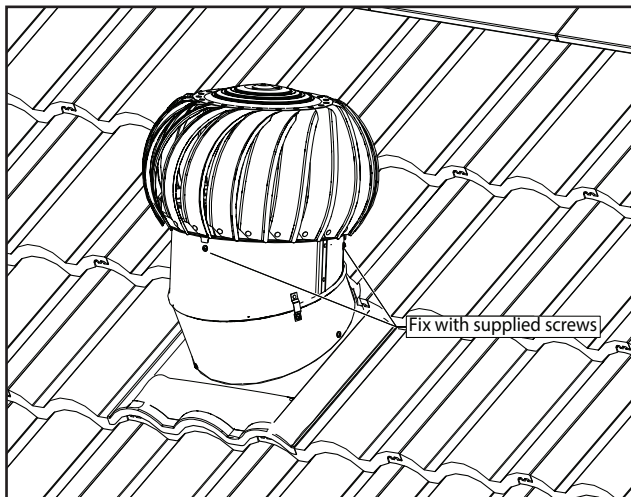
Installation - Tiled Roof

STEP 13

Position the Windmaster top onto the top of the varipitch.

The three mounting points on the lower ring align with the three notches on the varipitch.

Fix the Windmaster top to the varipitch with the three screws provided through the pre-drilled holes.

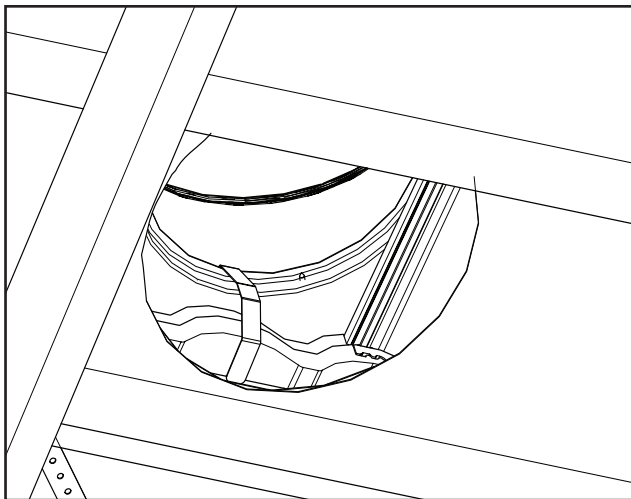


STEP 14

From within the roof space, take the fixing strap and bend it until it is in a position to be securely fixed to the lower tile batten.

Screw or nail (not supplied) the fixing strap to the batten, this will prevent the lower part of the flashing lifting in heavy winds.

For additional weather proofing turn the rear edge of the flashing up so that it seals against the tiles above.



Turning the rear of the flashing upwards allows it to act as a gutter to prevent any wind driven water from entering the roof space.

Installation - Metal Roof

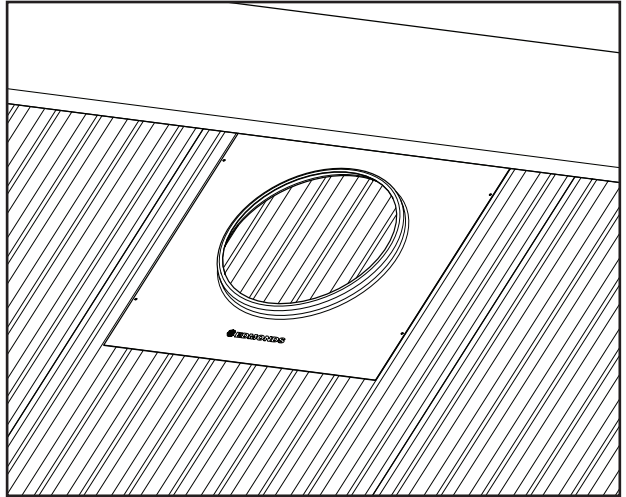
Note: Ridge capping screws may need to be removed whilst performing installation. Upon completion, return the fixing screws to the previous positions
For BAL installations the sparkguard **MUST** be installed prior to commencing this installation process. Follow the specific sparkguard installation instructions included with the sparkguard

STEP 1

Select a suitable position for the ventilator.

Slip the top edge of the flashing under the ridge cap and mark position.

To install the vent lower down the roof, appropriate backflashing must be installed, extending back to the ridge capping.

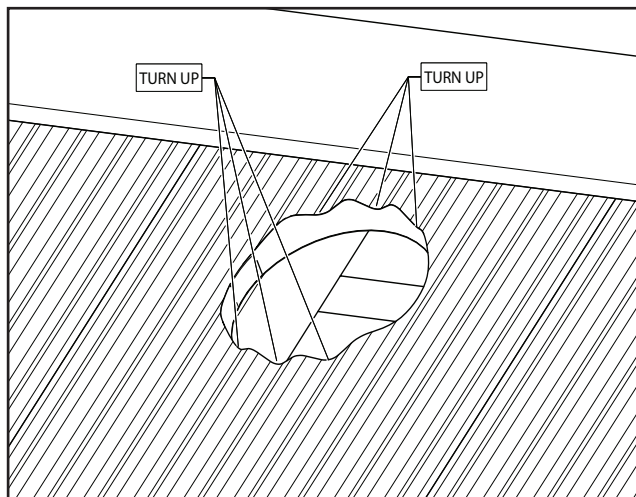


Ensure that the flashing covers the roof corrugations or ribs equally and that it is located between roof rafters.

STEP 2

Remove the flashing and cut a 300mm square or round opening around the centre of the position marks.

Turn up the corrugations or pans on both the low and high sides. This will help to prevent water ingress.

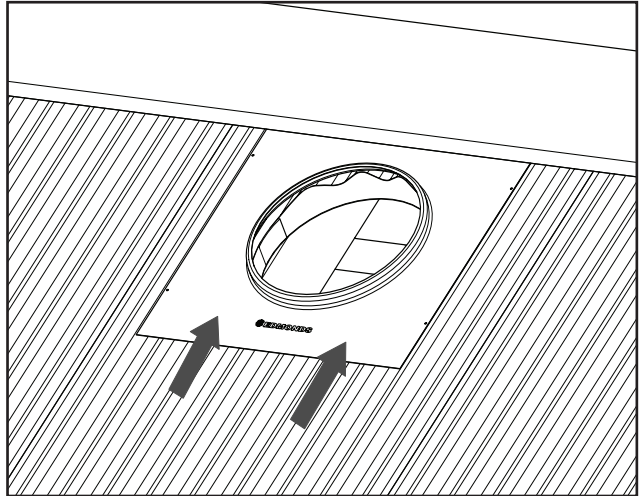


Installation - Metal Roof

STEP 3

Return the flashing to the roof, positioning it over the cutout. Ensure that the top of the flashing is slipped under the ridge capping.

For lower pitched roofs, turn up the top edge of the flashing before slipping under ridge capping. This will help prevent water ingress.

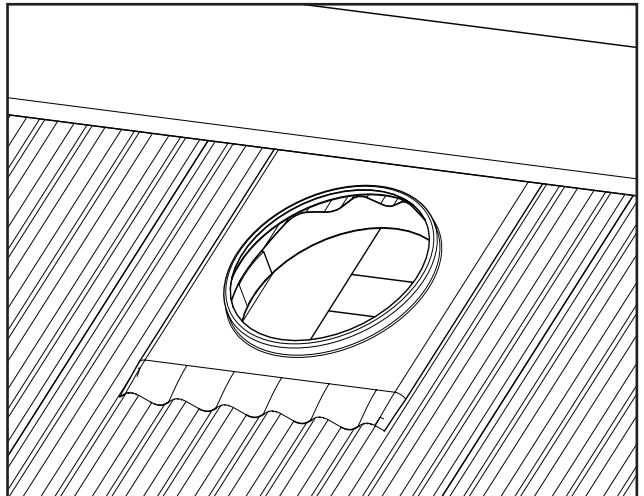


For BAL compliance, no gaps greater than 3mm may be present. A water tight install can be achieved by carefully forming the flashing to the roof sheeting profile

STEP 4

Using a soft rubber hammer, carefully work around the sides and lower edge of the flashing to form it into the corrugations of the metal sheeting profile.

For BAL installs this should be done with care to ensure that no gaps greater than 3mm are present.

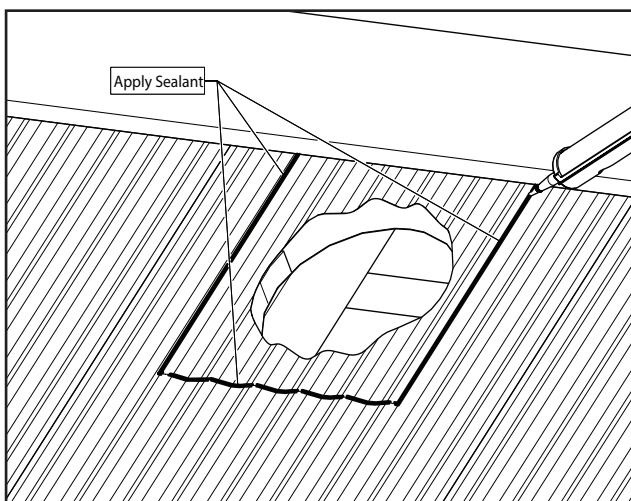


Installation - Metal Roof

STEP 5

Lift the formed flashing off the sheeting,

Apply a bead of sealant to the roof approximately 20mm in from the edge of the flashing.

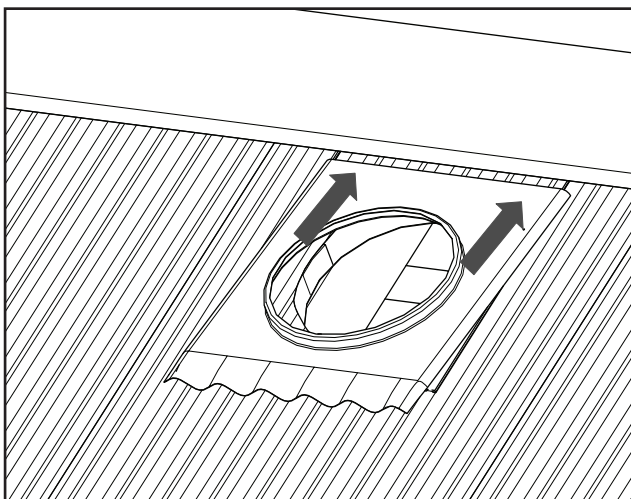


For BAL Installations, the only compatible sealant is Bostik FireBan One

STEP 6

Return the flashing to the roof. Slide it under the ridge capping and press it down onto the sealant.

For BAL installs, use the sealant to ensure that there are no gaps greater than 3mm.



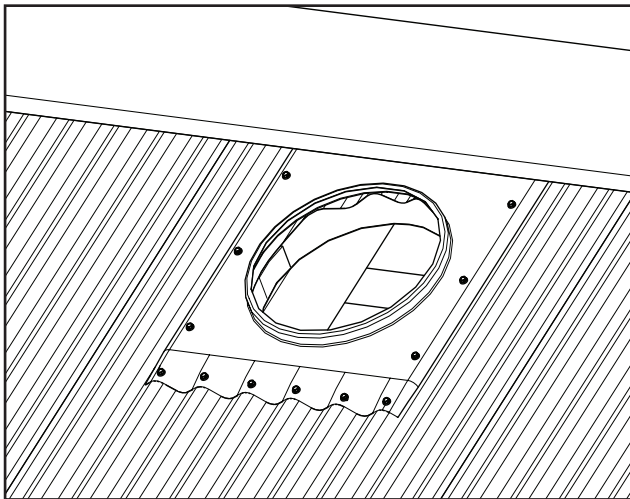
Installation - Metal Roof

STEP 7

Secure the flashing to the metal sheeting with 10G Tek screws or sealed rivets along the 3 exposed edges of the flashing.

Approximately 12 required (not supplied)

Ensure the flashing front edge is fixed at every peak in the metal roof sheeting. This prevents gaps forming due to thermal expansion in the case of a bushfire.



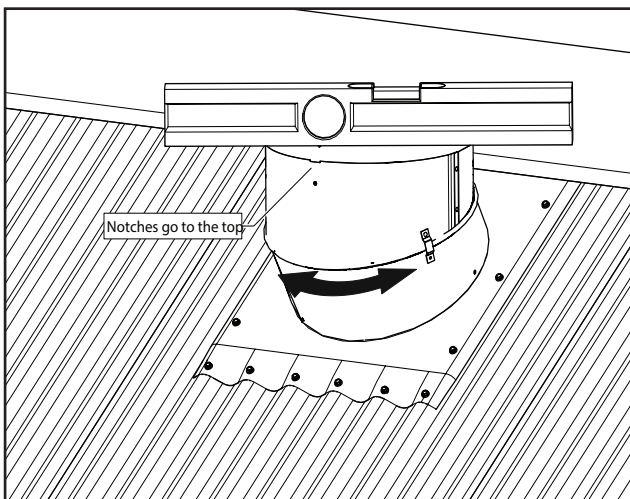
Take care to ensure the varipitch is level.

STEP 8

Using a spirit level for guidance, rotate the two varipitch halves until the top of the varipitch is horizontal.

Varipitch adjustments are best made off the flashing and then returned to check the position.

Ensure the varipitch is the correct way up by keeping the notched edge to the top.

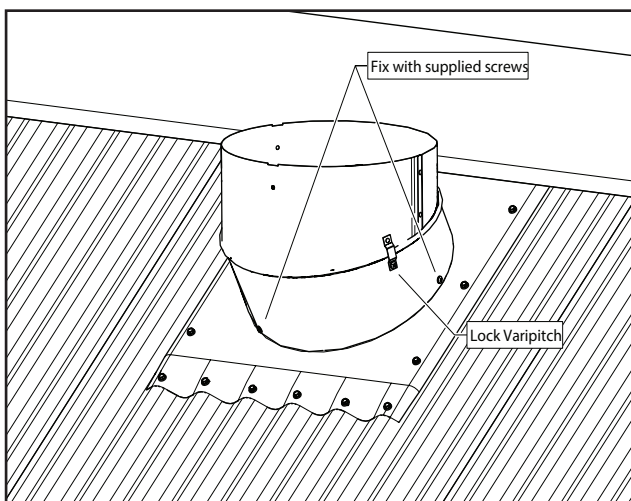


Installation - Metal Roof

STEP 9

Screw the varipitch to the flashing with the three screws provided at the pre-drilled holes on the varipitch.

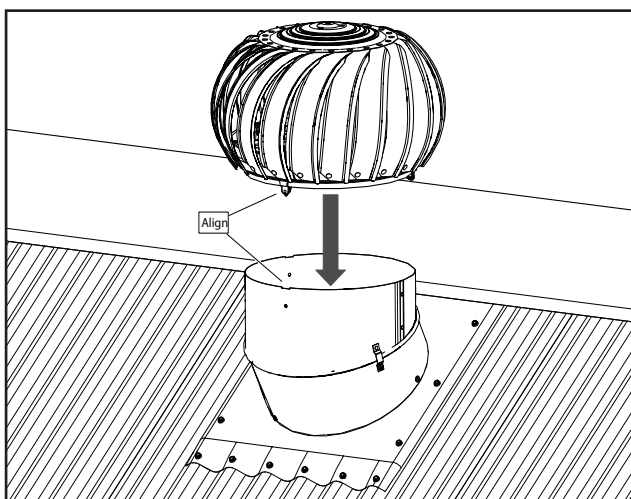
Lock the varipitch by screwing the fixing clip into the lower half with one of the screws provided.



STEP 10

Position the Windmaster top onto the top of the varipitch.

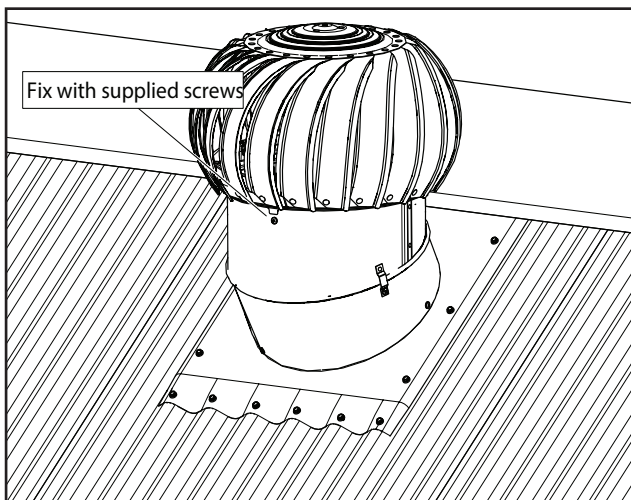
The three mounting points on the lower ring align with the three notches on the varipitch.



Installation - Metal Roof

STEP 11

Fix the Windmaster top to the varipitch with the three screws provided through the pre-drilled holes.



For BAL rated jobs there can be no gaps in the flashing - roof junction greater than 3mm.

Ensure the flashing is formed appropriately to achieve this. Seal any gaps greater than 3mm with Bostik FireBan One

bradfordventilation.com.au

