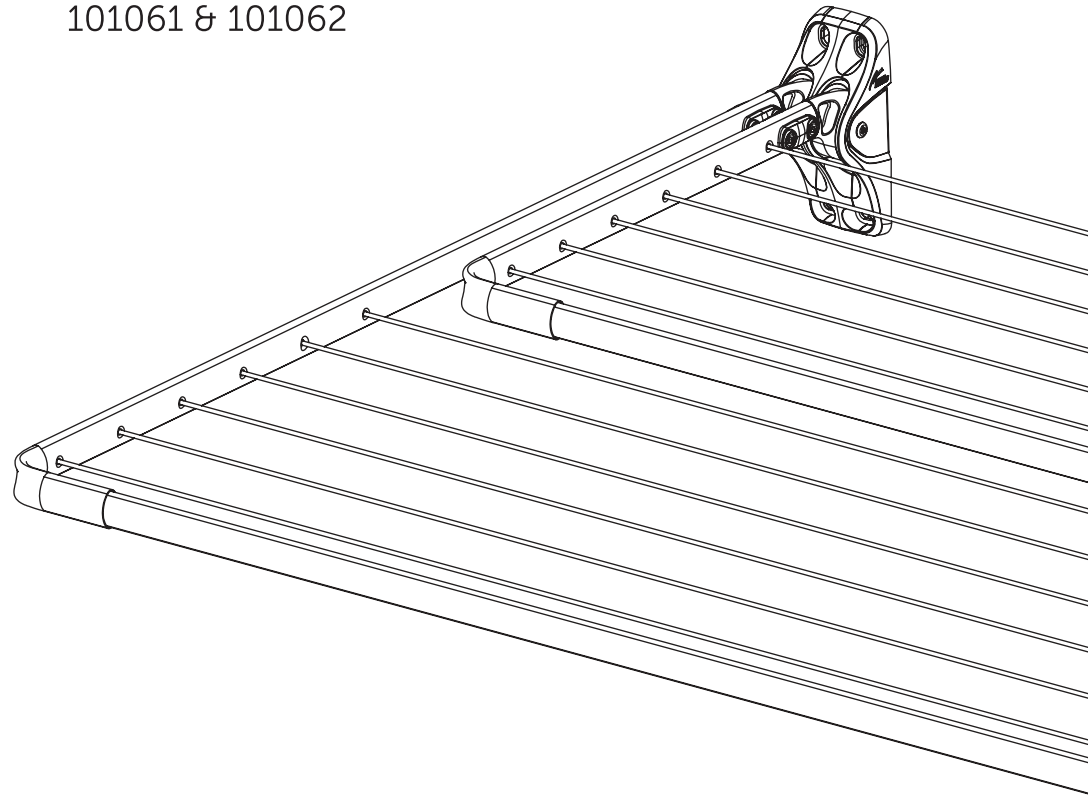




Hills®

Double Folding Frame Clothesline

Owner's Manual
101061 & 101062



Contacts

We are committed to providing you with complete customer satisfaction. If you have any questions or comments about our products or services please contact your nearest Customer Service Centre during their local business hours:

Australia

1300 300 564

New Zealand

0800 021 027

Email

hhl.enquiries@amesau.com

Hills Websites

Hills Home Living

hillshome.com.au

Hills Consumer Advice

hillshome.com.au/need-help



AMES Australasia Pty Ltd.

ABN 89 169 427 061

Issue August 2019

Hills Lifetime Warranty

AMES Australasia Pty Ltd warrants that this Hills product will be free from defects in manufacturing of the frame and lifting mechanisms for the lifetime of the original purchaser of the product. This warranty does not extend to plastic hanging line or the surface finish of the product from weathering. If a defect covered by this warranty becomes evident during that period, AMES Australasia Pty Ltd will, at its option, replace the product, supply replacement parts for the product or refund the product. The cost or labour required to install any replacement part or product supplied under a valid warranty claim is not covered.

In the event of a defect covered by this warranty, you should contact the Hills Customer Service Centre using the details below. You will require proof of purchase. Any expenses incurred in making a claim under this warranty are not covered by the warranty.

This warranty does not apply to any defect or damage caused by accident, improper use, abuse, neglect, or unauthorised alteration or repair. This warranty does not apply where the product was not installed in accordance with the product installation instructions. This warranty does not apply to any costs incurred in the installation of the product.

For products purchased in Australia

Our goods come with guarantees that cannot be excluded under the Australian Consumer Law. You are entitled to a replacement or refund for a major failure and compensation for any other reasonably foreseeable loss or damage. You are also entitled to have the goods repaired or replaced if the goods fail to be of acceptable quality and the failure does not amount to a major failure.

For products purchased in New Zealand

Our goods come with guarantees that cannot be excluded under the Consumer Guarantees Act. AMES Australasia Pty Ltd will comply with our obligations to you under the Consumer Guarantees Act.

16

AMES Australasia Pty Ltd.
ABN 89 169 427 061
Level 1, 660 Doncaster Road,
Doncaster, VIC 3108 Australia

Introduction

Congratulations

Congratulations on the purchase of your new **Hills Double Folding Frame Clothesline**, which will bring you many years of trouble free and efficient drying.

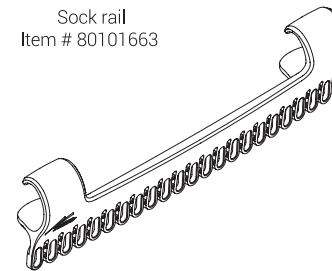
Your **Hills Double Folding Frame Clothesline** can be either wall or post mounted. If you are planning to post mount, you will need to purchase a post kit (sold separately - item code 101079 or 101080).

It's important that you read this Owner's Manual thoroughly before installation to benefit from the design features and enjoy safe use of this product. Thank you for choosing Hills.

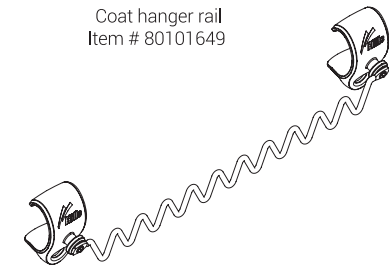
Warning

- Do not allow children or pets to swing on the Clothesline or items of laundry.
- Do not use for any purpose other than to hang and dry washing.
- Do not use your Clothesline if parts are worn or damaged.

* Get the most out of your Hills product with our additional accessories sold separately.



Sock rail
Item # 80101663



Coat hanger rail
Item # 80101649

Accessory clip
Item # 80101656



Sheet and towel peg
Item # 80101670



Line cleaner
Item # 80101632

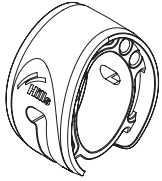


1

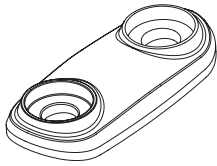
Carton contents

Hills Double Folding Frame Clothesline.

X2 Line tie off clips



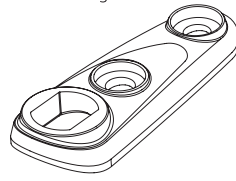
X6 Bolt bushes



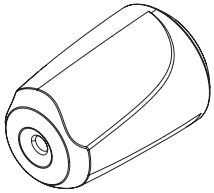
X2 Line tensioner bolt bushes



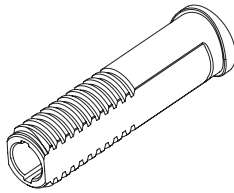
X2 Line tensioner guides



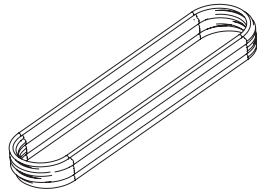
X2 Line tensioner dials



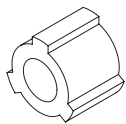
X2 Line tensioner threaded inserts



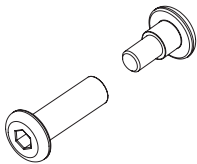
X2 Lines



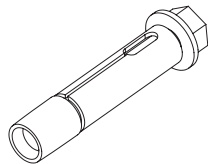
X2 Line tensioner sliding inserts



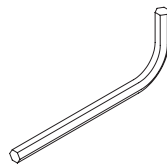
X10 Chicago bolts



X8 Wall fixings M8x70

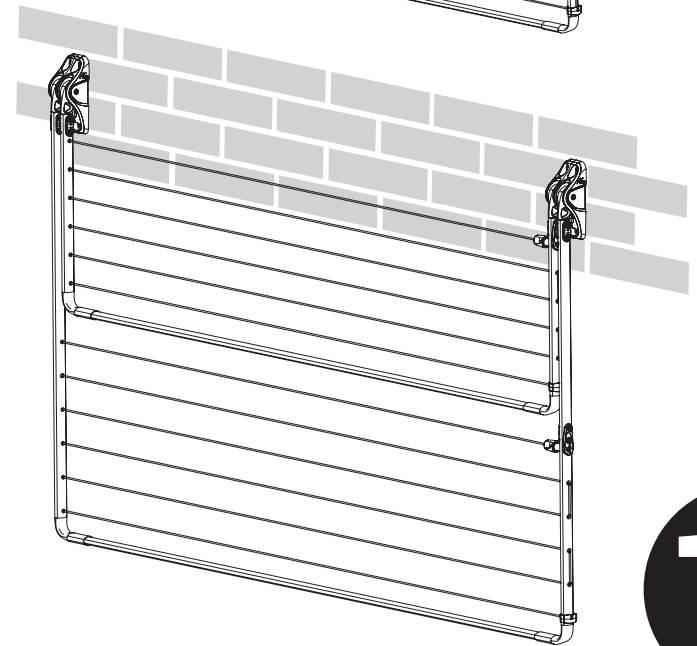
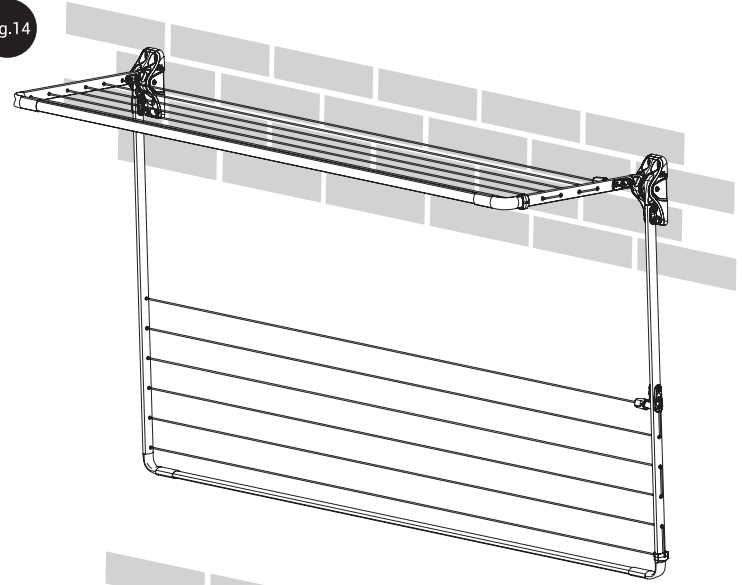


X2 Hex keys



4.3 Holding each frame, guide to its closed position. (Figure 14)

Fig.14

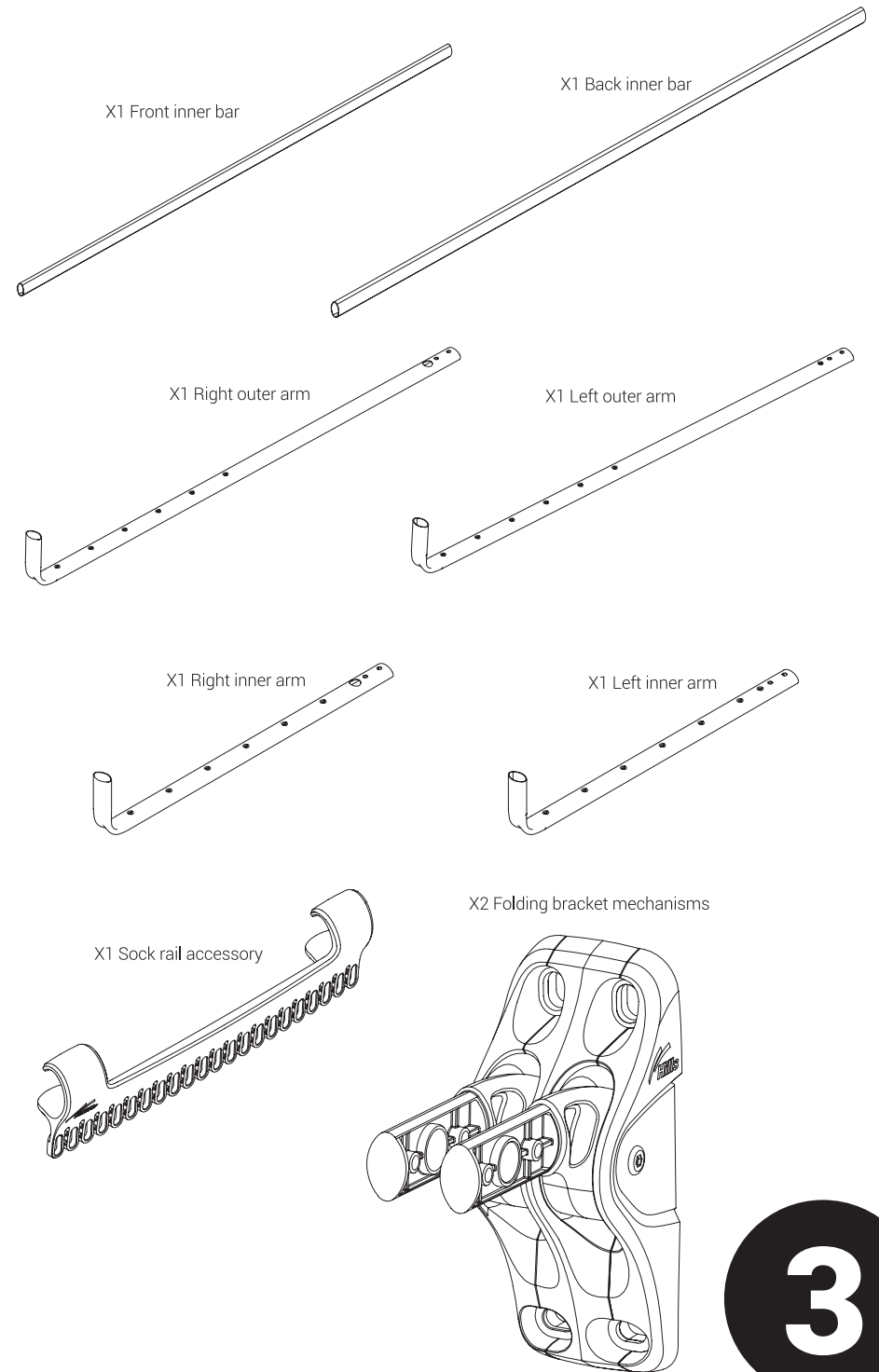
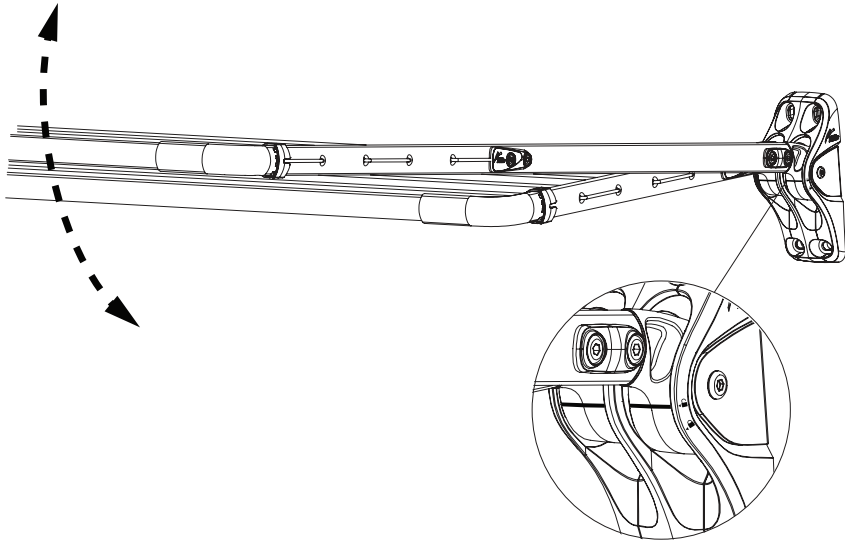


2

15

4.2 To lower either of the frames, grip in the middle and raise slightly above your head until you hear the folding bracket 'click' and the folding bracket indicator is in the unlocked position. (Figure 13)

Fig.13



Mounting Options

***Note:** This product must be installed onto sound structural surfaces. If mounting to a cladded surface, ensure the wall fixings are securely fastened into a solid substrate i.e wall studs etc. Consult your local hardware specialist for advice on which wall fixings are most suitable for your particular building structure.

This product should either be installed onto a sound structural surface or it can be mounted to a ground mount post kit. If you choose to mount your **Double Folding Frame Clothesline** onto a post kit, the following products are available:

- 101079 – Folding frame post kit dune
- 101080 – Folding frame post kit woodland grey

Mounting your folding clothesline to masonry walls

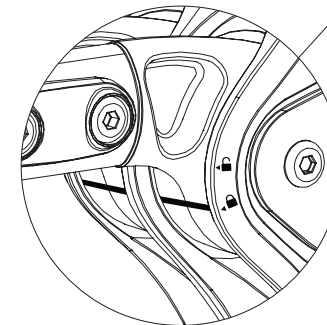
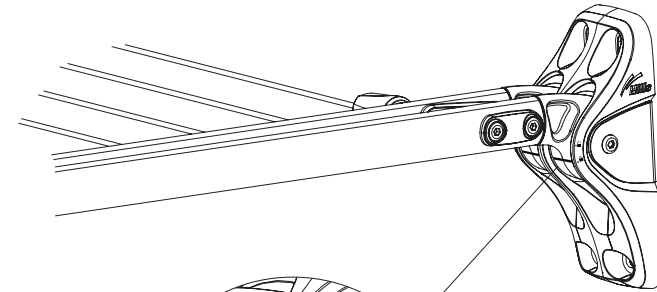
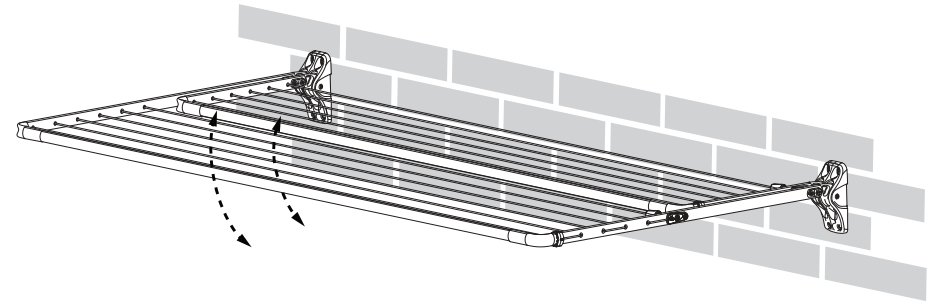
- *Note:** The wall fixings included are for mounting to masonry materials only. For fixing to any other type of substrate, consult your local hardware specialist for advice on which wall fixings are most suitable.
- 1.1** Hold the first bracket against the wall and use it as a template to mark where to drill the holes. Mark in the centres of the slots. Use a spirit level to ensure markings are vertical. We recommend the lowest mounting bolt is aligned with the user's head height.

4

Operating the folding clothesline

- 4.1** To raise and lock either of the frames, grip in the middle and lift upwards until you hear the folding bracket 'click', and the folding bracket indicator is in the locked position. (Figure 12)

Fig.12

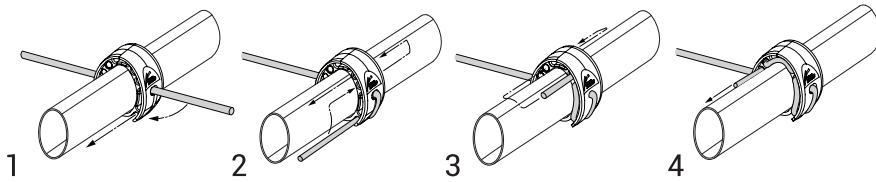


Lock indicator mark

13

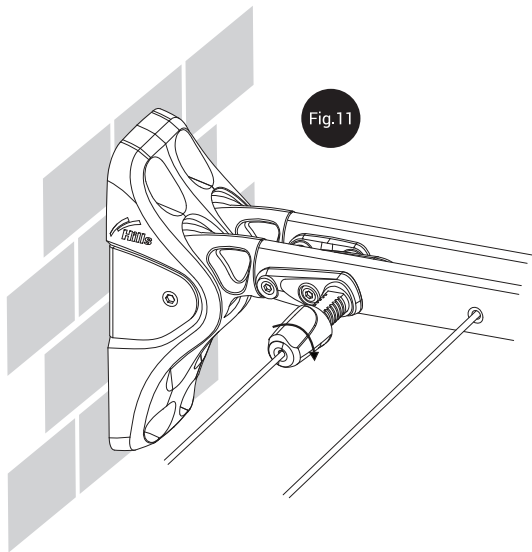
- 3.4 Once the line has been installed feed the line end through the tie off clip while keeping tension. Wrap the line around the collar and pass through the first hole. Pull the remaining line through the second hole. (Figure 10)

Fig.10



- 3.5 To tension the line, rotate the line tension dial in a clockwise direction until the lines are taught. (Figure 11)

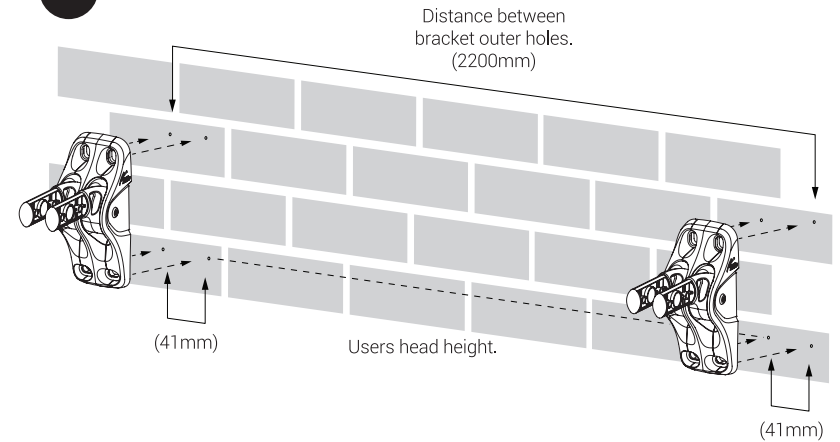
Fig.11



12

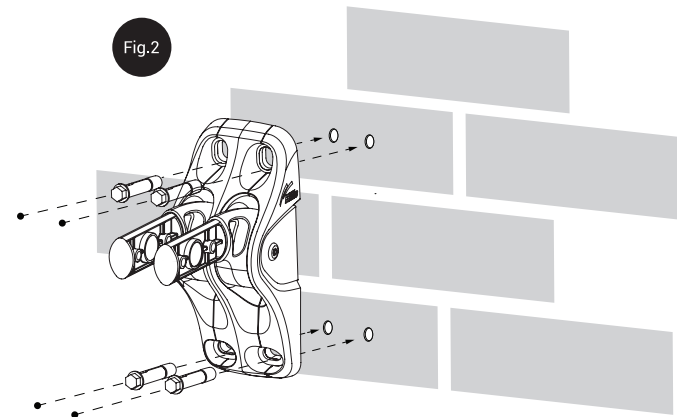
- 1.2 Measure 2200mm from the first mounted bracket outer hole to identify the appropriate mounting distance for the second bracket. Mark the hole centres for the second bracket. Ensure the hole centres for both brackets are horizontal. (Figure 1)

Fig.1



- 1.3 Drill the holes on the marked points with a 10 mm diameter masonry drill bit. Clean the holes free from debris and dust before mounting the two folding brackets to the wall with the wall fixings provided. (Figure 2)

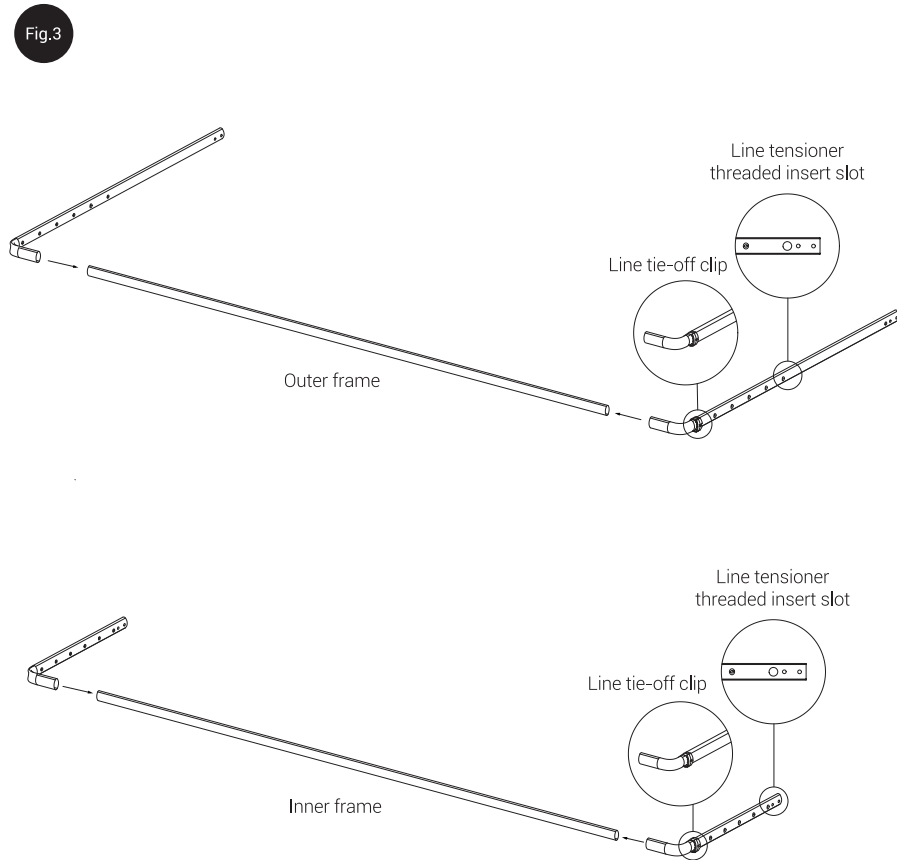
Fig.2



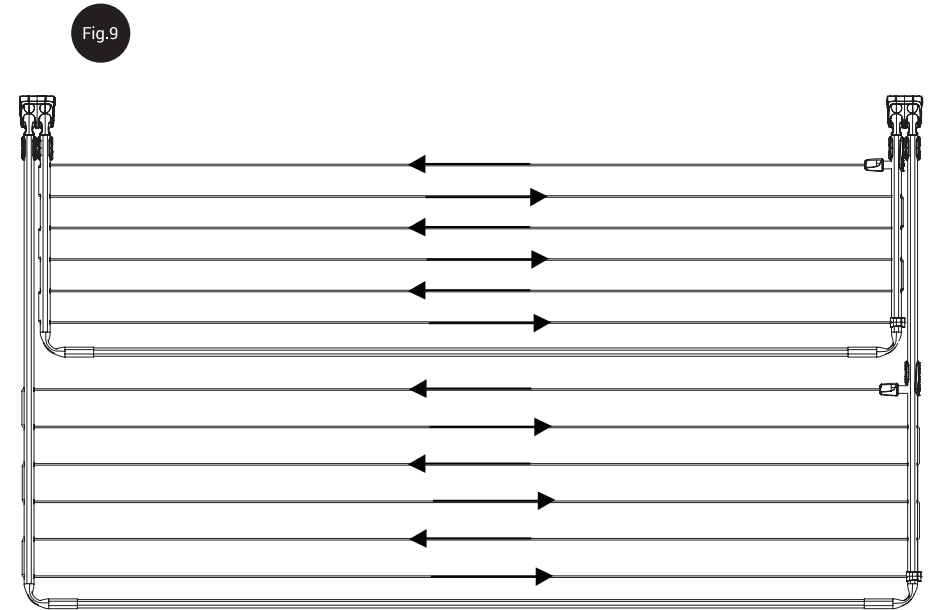
5

Mounting your folding clothesline to masonry walls

- 2.1 Slide the line tie off clip onto the right-hand side arm. Insert the outer frame front bar into the outer side arms. Ensure that the arm with the slot for the line tensioner insert is on the right-hand side. Repeat step for the inner arms and inner front bar. (Figure 3)



- 3.3 Feed the line through the clothesline in alternating directions keeping tension as you go. (Figure 9)

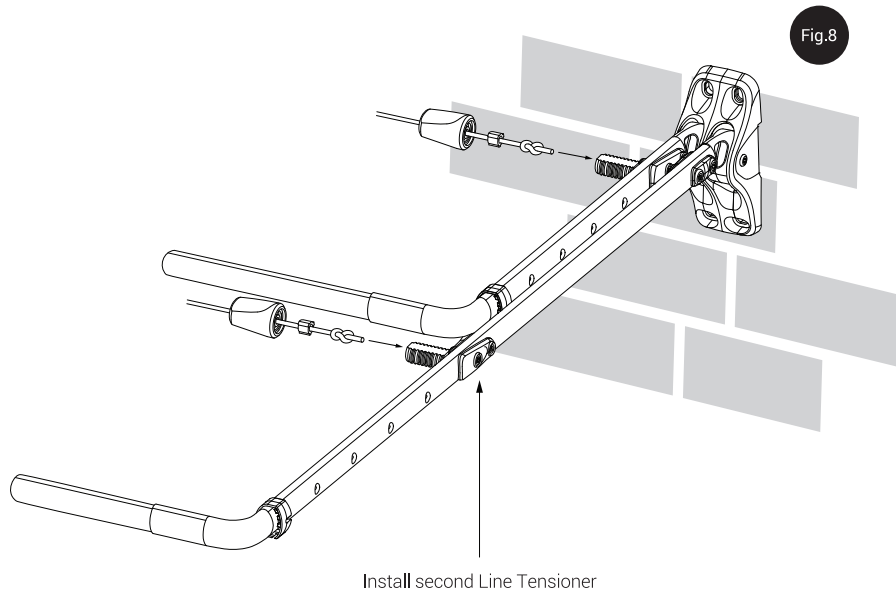


6

11

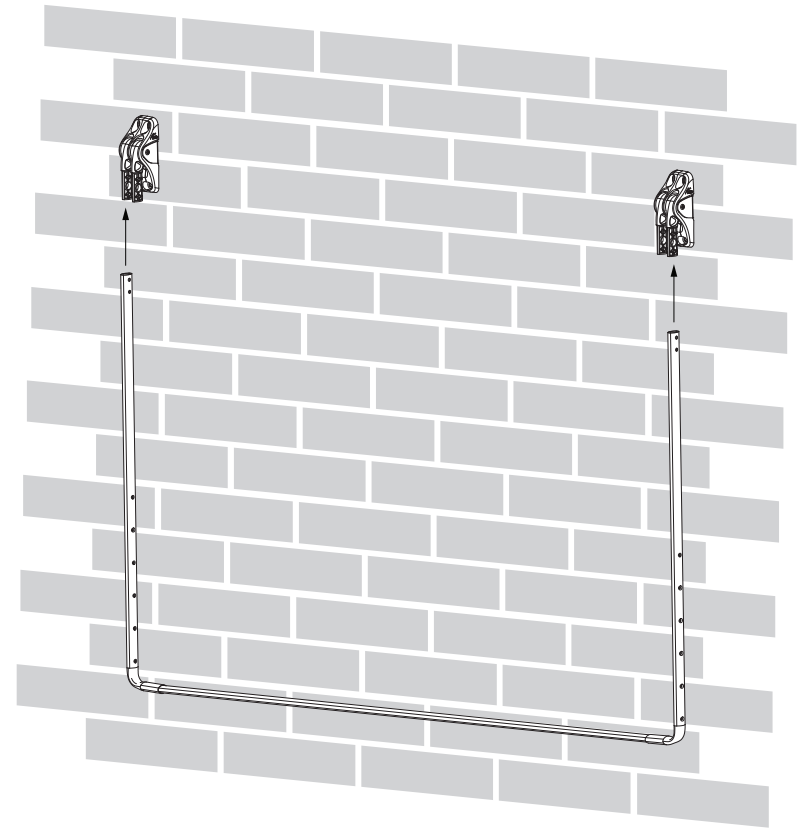
Attaching the line

- 3.1 Using the remaining line tensioning components, install the second line tensioner on the right arm of the outer frame.
- 3.2 Feed the line through the line tensioner dial and sliding insert; then tie a simple small knot. Slide the knotted line into the threaded sleeve and tighten the dial onto the threaded insert. Tighten only two turns, allowing sufficient thread to tension later. Repeat for both line tensioners. (Figure 8)



- 2.2 Ensure the mounted brackets are in the unlocked position. Ideally with two people, lift the outer clothesline frame up and insert the frame into the brackets. (Figure 4)

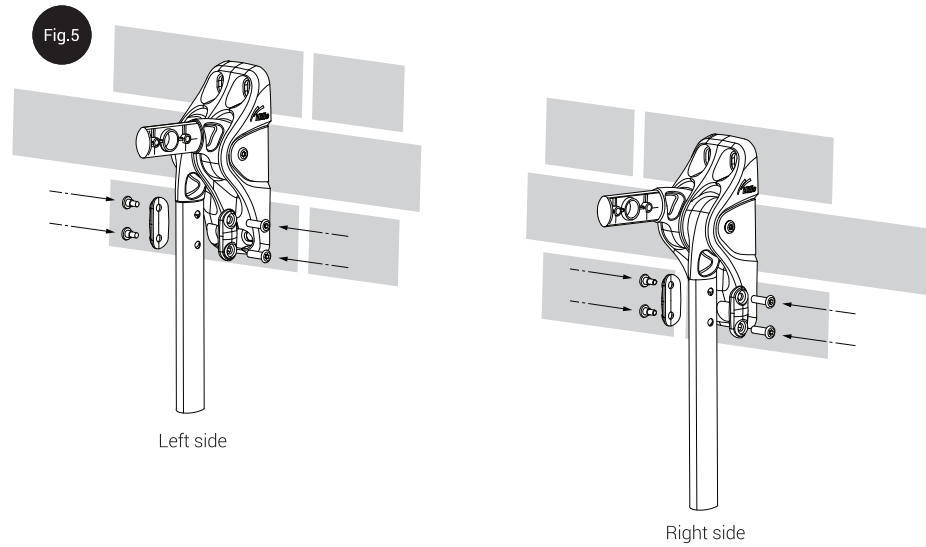
Fig.4



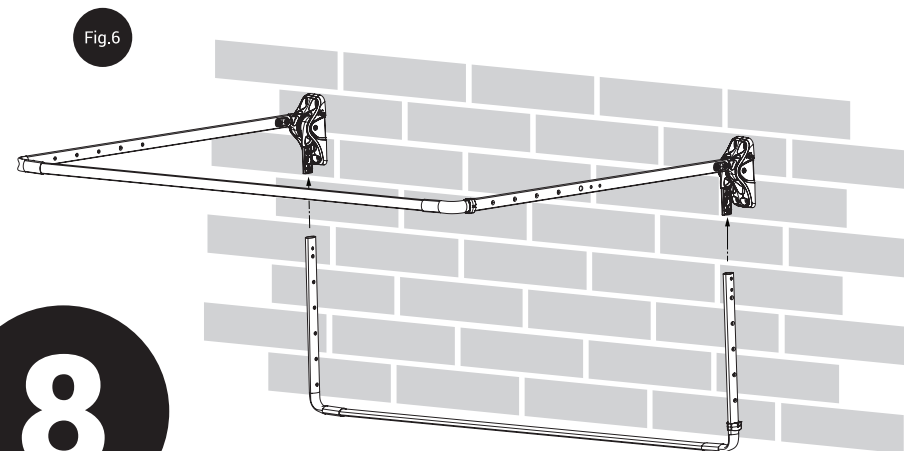
10

7

2.3 Whilst holding the frame in position insert the chicago bolts through the plastic bolt bushes on the left hand arm, and tighten into position. Repeat the step for the right hand arm. (Figure 5)

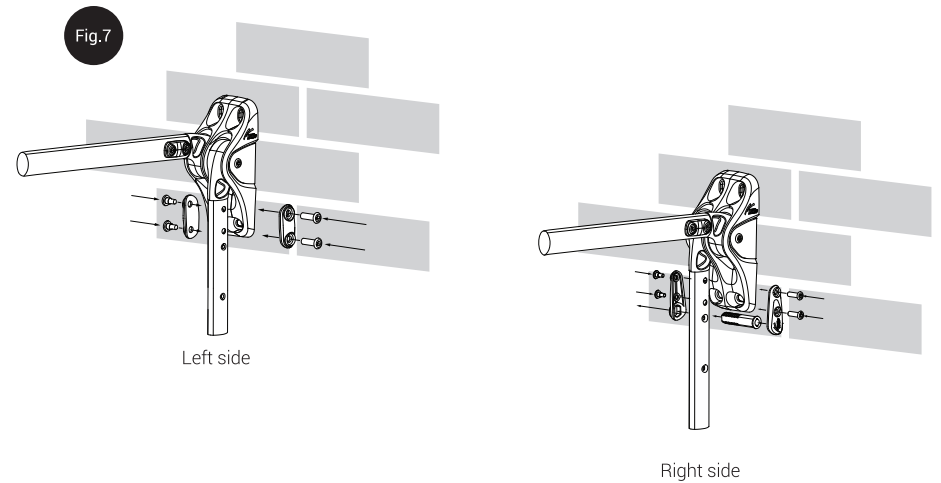


2.4 Ensure the mounted brackets are in the unlocked position. Ideally with two people, lift the inner clothesline frame up and insert the frame into the brackets. (Figure 6)



8

2.5 Whilst holding the inner frame in position, insert the line tensioner threaded insert through the hole on the right-hand side arm. Insert the chicago bolts through the line tensioner guide and bolt bush, and tighten into position with the hexagonal keys provided. (Figure 7)



9