

# 5 TIER METAL SHELVING UNIT

### IMPORTANT

Please read this manual carefully before installing this product and save it for reference.

### FOR YOUR SAFETY

This instruction manual contains important information necessary for the proper assembly and safe use of the appliance. Read all warnings and instructions before assembling and using the appliance. Follow all warnings and instructions when assembling and using the appliance.

### WARNING

THIS PRODUCT SHOULD BE PERMANENTLY ANCHORED TO THE WALL OR OTHER SUITABLE SURFACE TO AVOID SERIOUS INJURY OR DEATH. To help avoid any serious injury or death, this product includes a bracket to prevent toppling. We strongly recommend that this product be permanently fixed to the wall or other suitable surface. Different surface materials require different attachments. Please seek professional advice if you are in doubt what fixing hardware to use. Regularly check your fixing device.

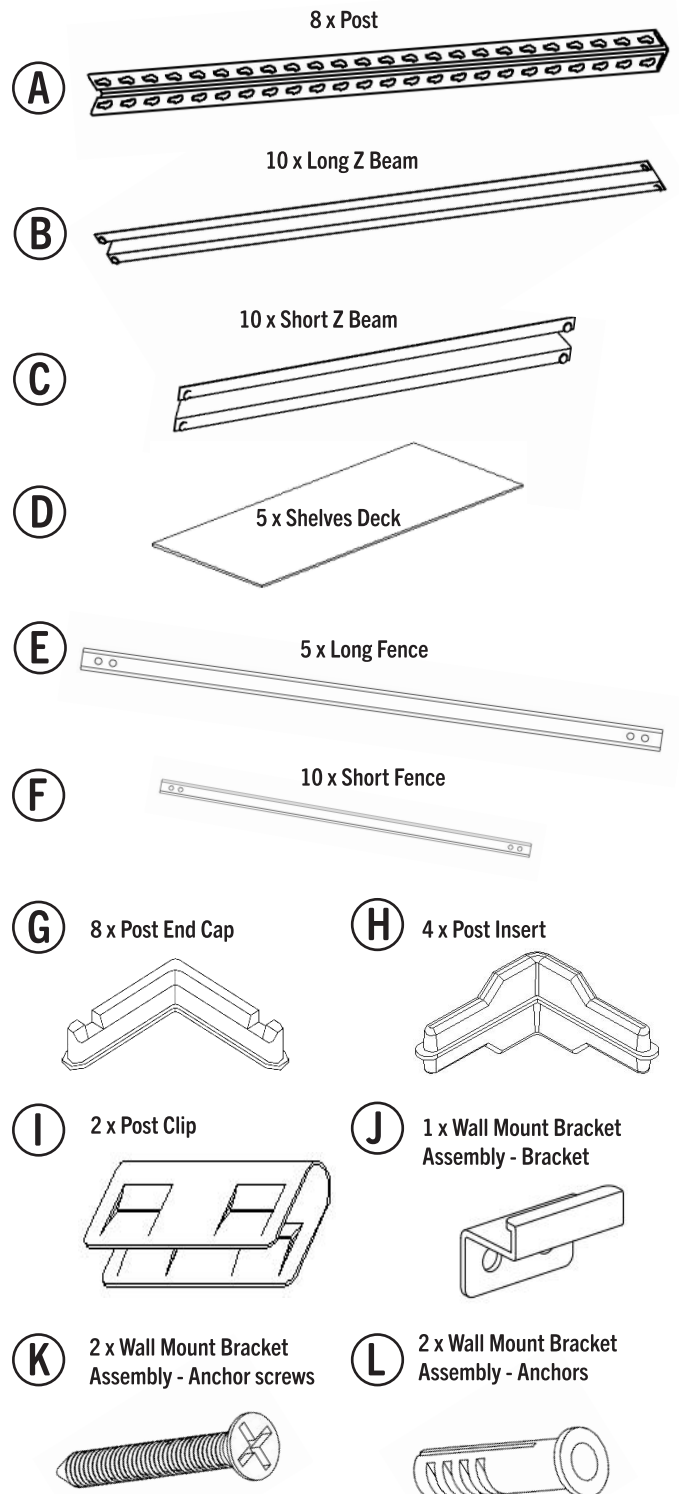
### DANGER

- Place small, stable items on the top shelves. Heavier and bulkier items should be stored on the lower shelves.
- DO NOT allow children to climb or hang on shelves.
- DO NOT STAND ON ANY PART OF THE UNIT, OR USE IT AS A LADDER.
- Serious or fatal crashing injuries can occur from furniture tipping over. To prevent this, the shelving must be secured to a wall especially in earthquake-prone environments, where surfaces are uneven, and where children and/or pets are present.

### Tools Required

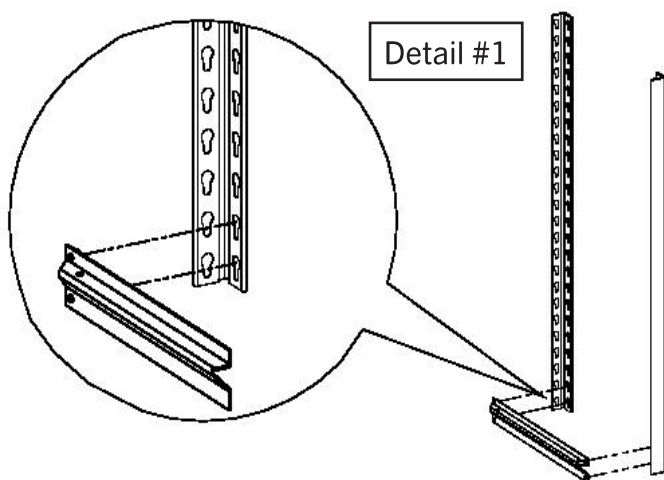
Rubber mallet, Power drill, Masonry drill bit

### List of Parts



## Assembly Instructions

1. Open the product and confirm that you have all the hardware and required parts listed.
2. First start the End Assembly, by joining a Short Z-beam (C) into the two bottom keyholes of a Post (A). Install the short Z-beam in the upright position, as shown in detail #1. Drive the rivets to the bottom of the keyhole by hitting the beam near the joint with a rubber mallet to lock the pieces together.
3. Repeat last step for the second Post (A) creating an End Assembly.

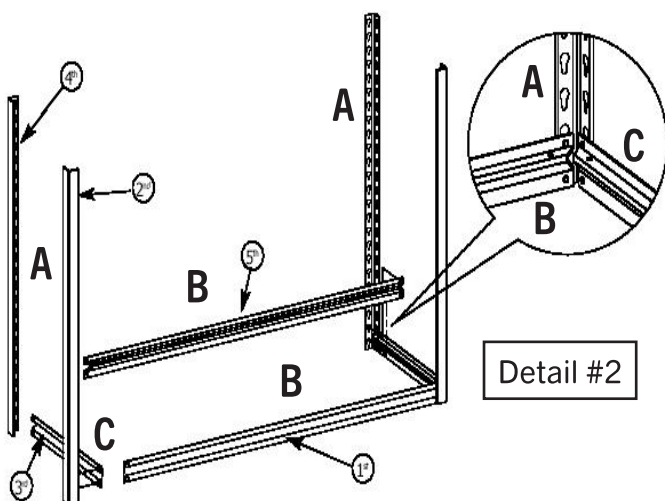


4. Assemble a Long Z-beam (B) to the other two bottom keyholes of the End Assembly. Make sure all Z beams are assembled in the upright position. As shown in detail #2. Hit the beam near the joint with a rubber mallet to lock pieces together.

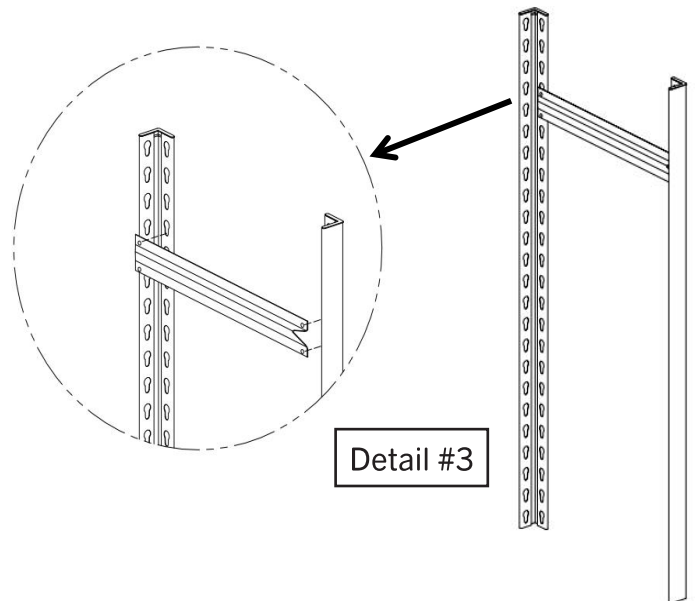
**Note:** Don't hit too hard so you will not damage or bend the beams.

5. Repeat last step to add an additional Long Z-beam, the other Short Z-beam and two Angle Posts to the End Assembly to create the Bottom Frame Assembly. As shown in detail #2.

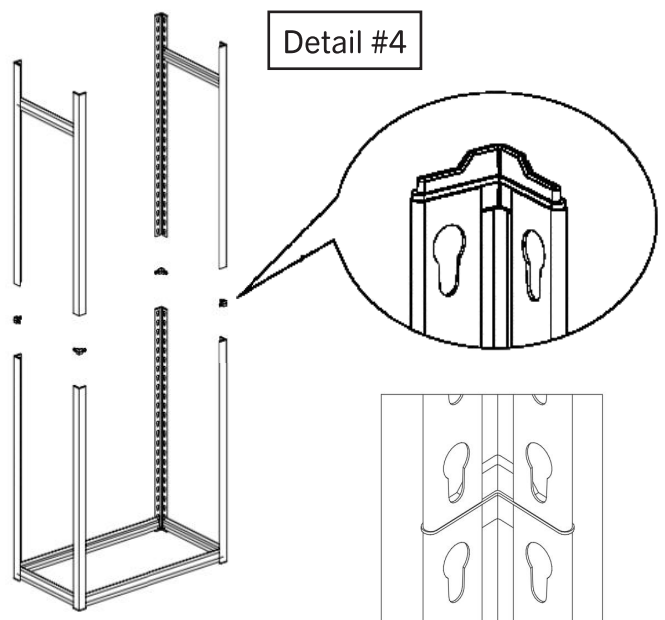
**Note:** Follow the order 1st through 5th as shown in detail #2 to facilitate the assembly. Hit the beams near the joints to lock the pieces into place.



6. Assemble the top end of the shelf unit by inserting a short Z-beam (C) into the top the 4th keyholes of the two posts (A). Make sure that the Z-beam is in the upright position. Hit the Z-beam near the connecting points with the post in order to lock the pieces together. Repeat this step to assemble the opposite side of the top end assembly. As shown in detail #3.

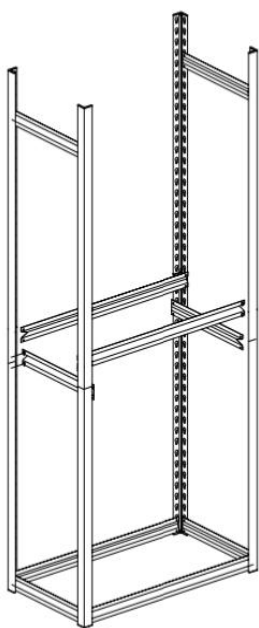


7. Repeat last step for the opposite side Top End Assembly.
8. Before joining the Top End Assembly to the Bottom Frame Assembly insert Post Inserts (F) into the Angle Posts (A) on the Bottom Frame Assembly, As shown in detail #4.
9. Proceed to assemble the Top End Assembly on to the Post Insert (F), As shown in detail #4.
10. Repeat last two step for the opposite Top End Assembly.

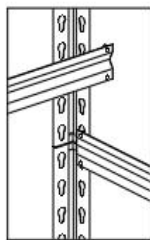
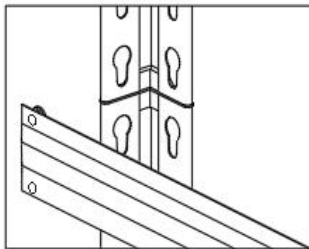


## Assembly Instructions

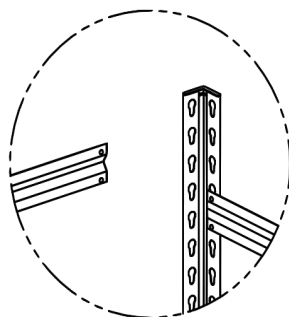
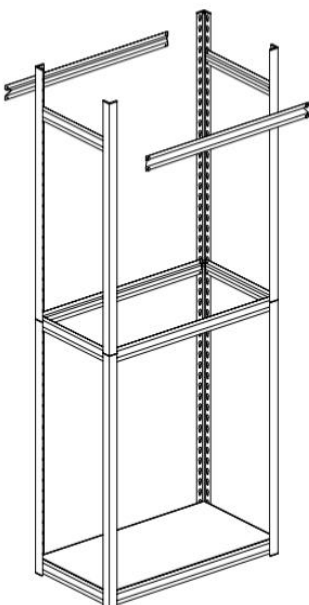
11. Add a Short Z-beam (C) to mid section at the joint by inserting the top rivet of the Z-beam into the bottom keyhole of the Top End Assembly, and the bottom rivet of the Z-beam into the top keyhole of the Bottom Frame Assembly. As shown in detail #5; Make sure all Z-beams in the upright position. Drive the rivets to the bottom of the keyholes by hitting the beam near the joints to lock pieces together.
12. Repeat last step to add an additional Short Z-beam (C) and two Long Z-beams (B).



Detail #5

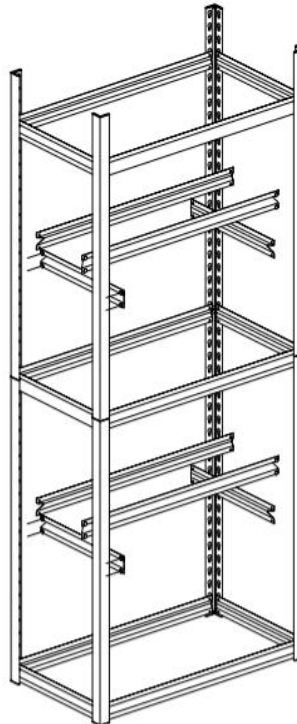


13. Proceed to add two additional Long Z-beams (B) to top two keyholes of the Angle Posts (A). As shown in detail #6; Install the Z-beams in the upright position. Assure to have the rivets in the keyholes before hitting the beams near the joints to lock the pieces together. As shown in detail #6.



Detail #6

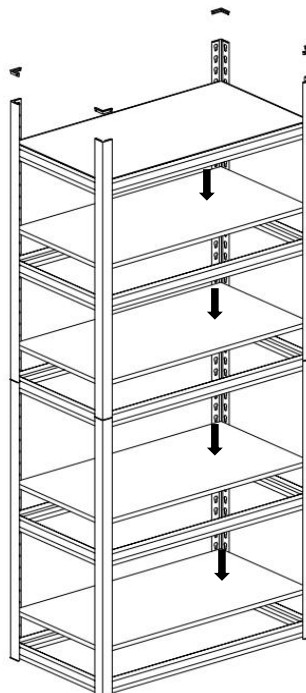
14. Assemble the remaining Long and Short Z-beams (B & C) to your desired location on the Angle Post (A) to create two additional shelves. As shown in detail #7. Assure to install the Z-beams in the upright position. Hit the beams near the joints to lock pieces together. As shown in detail #7.



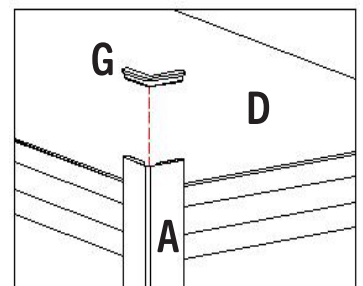
Detail #7

15. Now Lay the Shelf Decks (D) in between the Z-beams. As shown in detail #8.

16. Insert the Post Caps (G) on the top of the Posts (A). As shown in detail #8A.



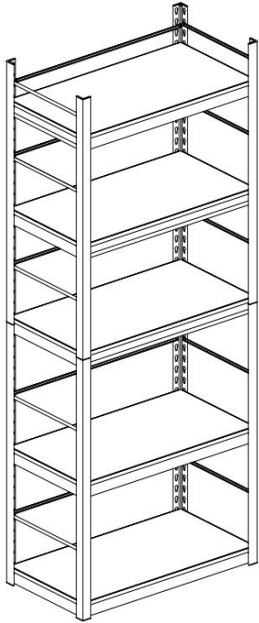
Detail #8



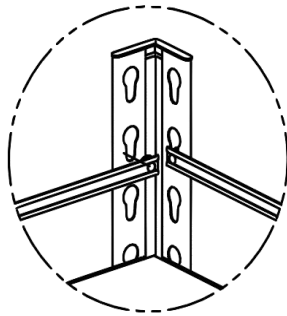
Detail #8A

## Assembly Instructions

17. Assemble the Long and Short Fence (E & F) to your desired location on each shelf. As shown in detail #9.



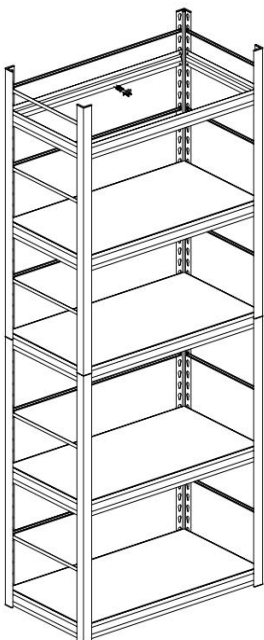
Detail #9



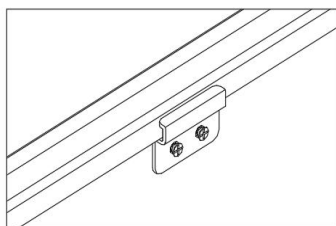
## 18. WALL MOUNTING INSTRUCTIONS

**Note: Drywall anchors(L) and anchor screws(K) are included with this shelving; however, different wall materials require different types of fasteners. Use fasteners suitable for your specific type of wall. If you are uncertain about what type of fasteners to use, then please contact your local hardware store.**

- 1) Take the bracket (J) and rock it up at an angle to attach it to the bottom of the long beam.
- 2) Position the shelving so the flat end of the bracket is touching the wall. Use a pencil to mark the location of the two holes on the wall. Use the included drywall anchors, anchor screws, and recommended tools to install the anchor screws. As shown in detail #10.



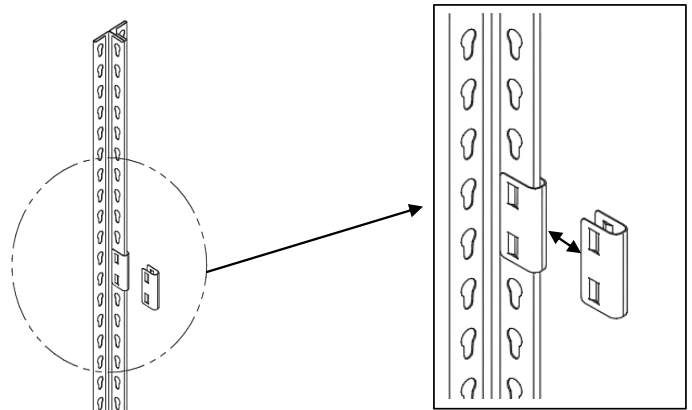
Detail #10



19. Joining the Frames (optional step)

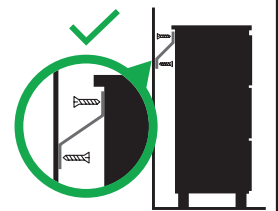
Align the four middle posts of frames in order to secure the frames together (refer to the figure). Start with the two back middle posts. Align the indents on the post clips(I) with two of keyholes in the back middle posts. Firmly clamp together one post clip with the two posts. Repeat this step in order to clamp the two front middle posts. As shown in detail #11.

**Note: Use a screwdriver to remove the post clips.**



Detail #11

## ⚠ WARNING



### Children have died from furniture tipover.

- ALWAYS secure this furniture with an anchor device.
- NEVER allow children to stand, climb or hang on drawers, doors, or shelves.
- NEVER open more than one drawer at a time.
- Place heavy items down low.

**NEVER put a TV**

**on this furniture**

