

# AEG

**ALT58BC401**

**ALT58BC**

**A58BCT18**

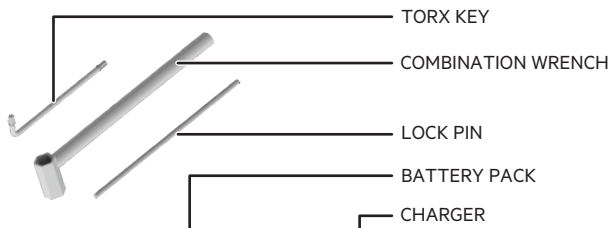
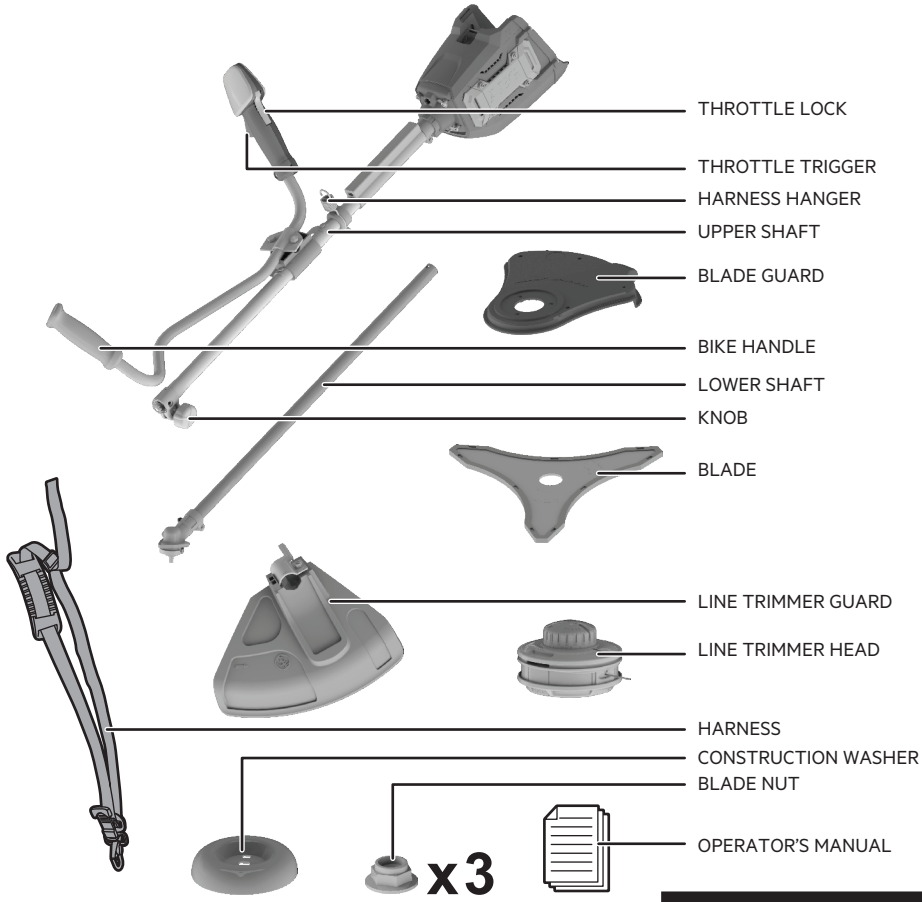
Original instructions

## **Important!**

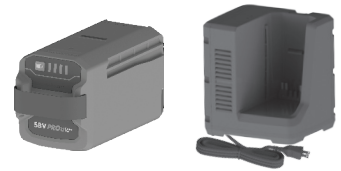
It is essential that you read the instructions in this manual before assembling, operating, and maintaining the product.

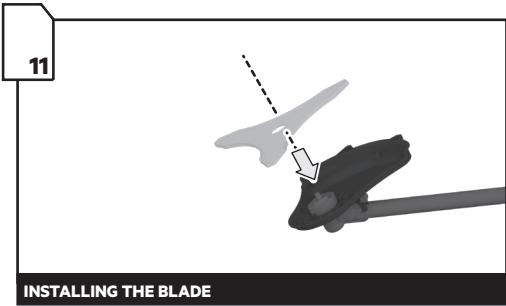
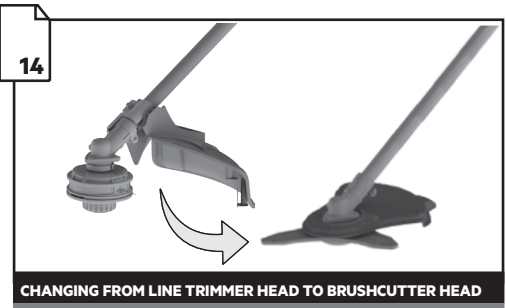
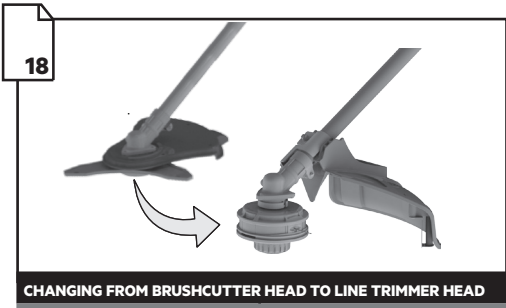
Subject to technical modifications.

# ALT58BC

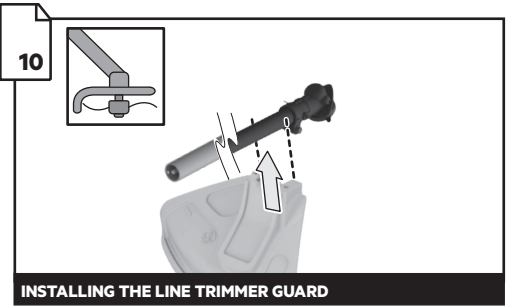
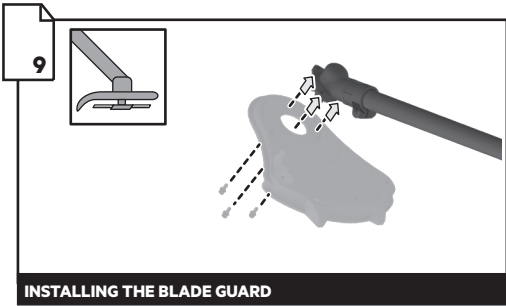
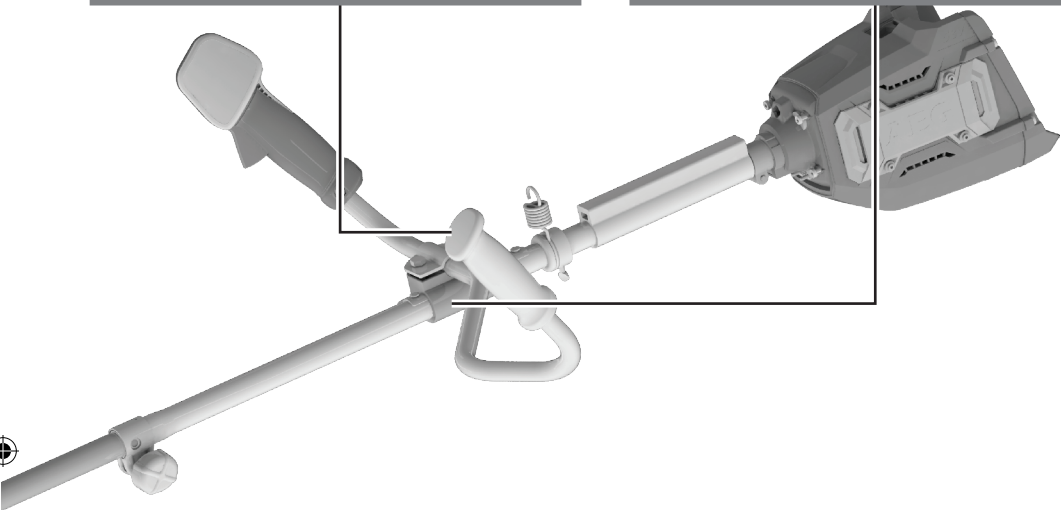
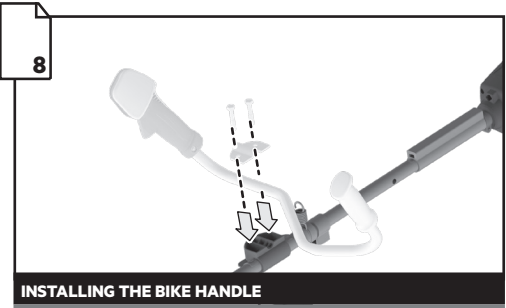
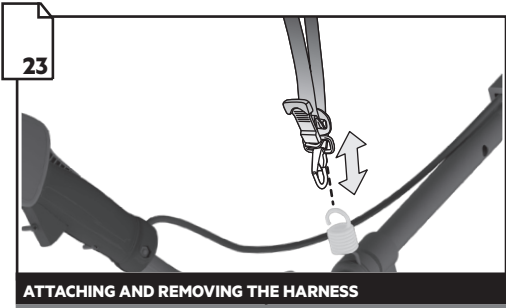


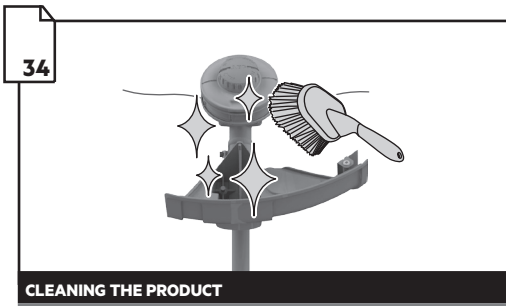
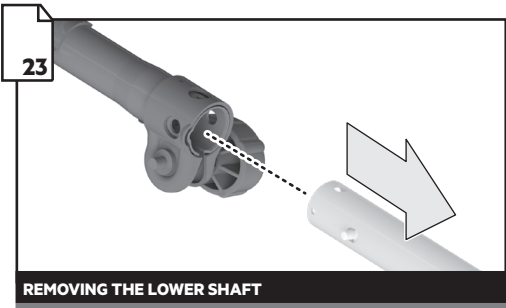
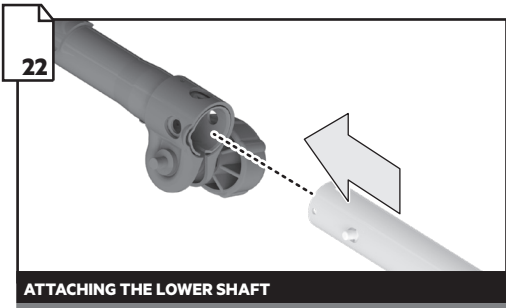
ALT58BC401  
A58BCT18

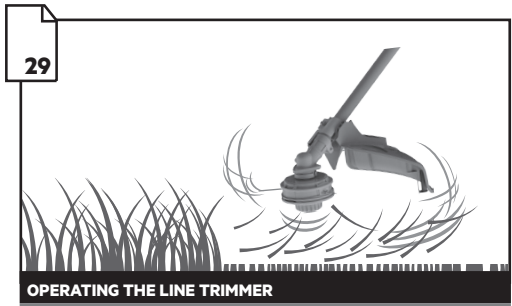
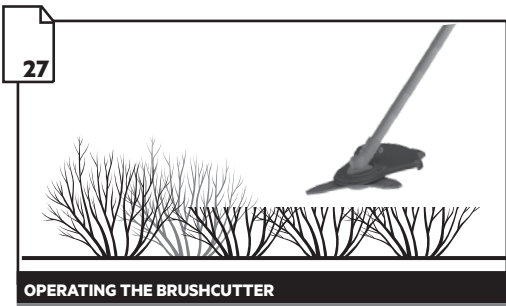
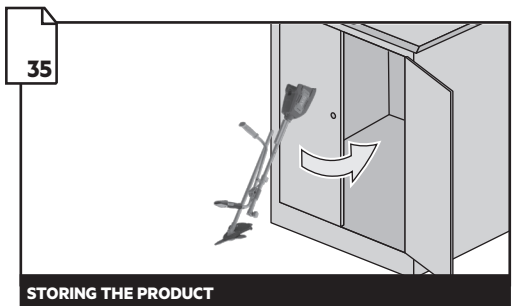
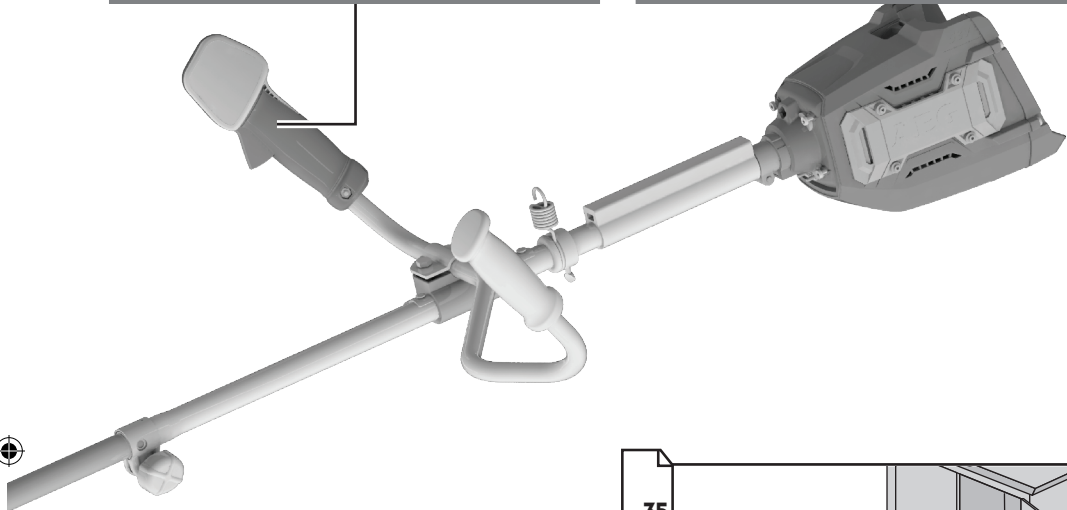
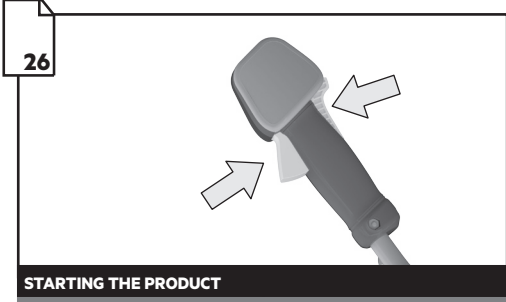


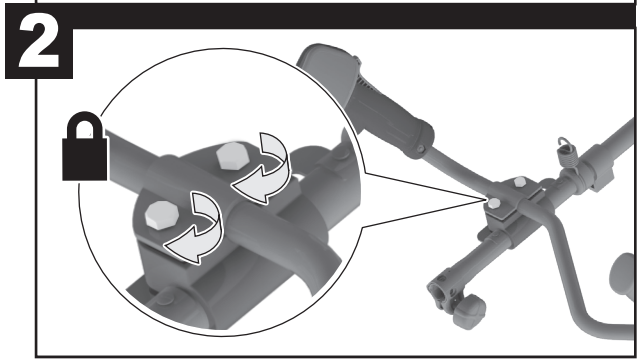
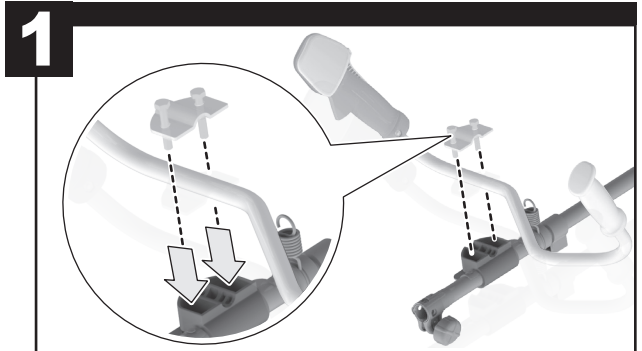
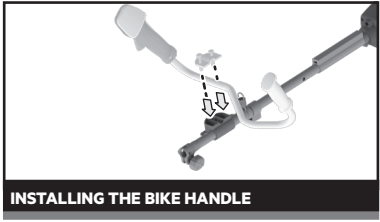


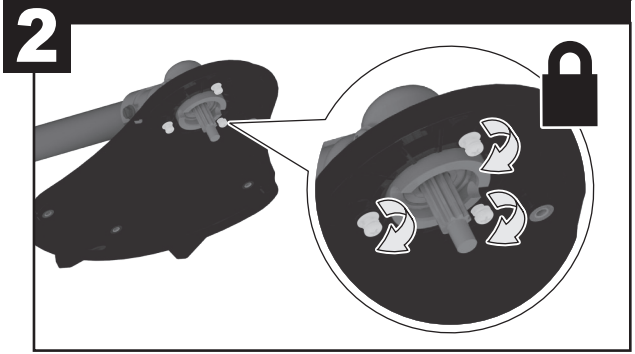
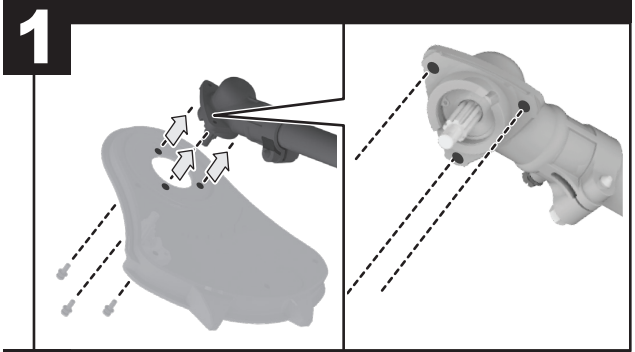
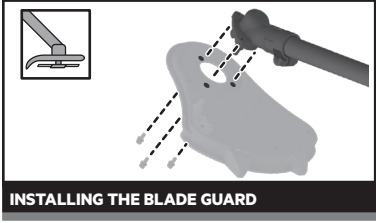


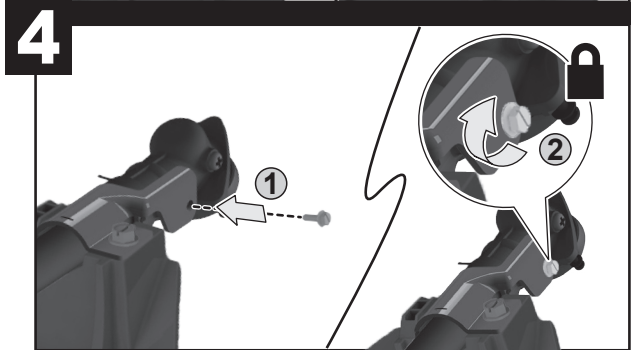
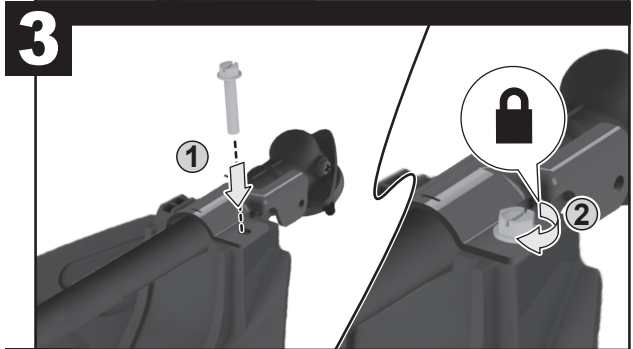
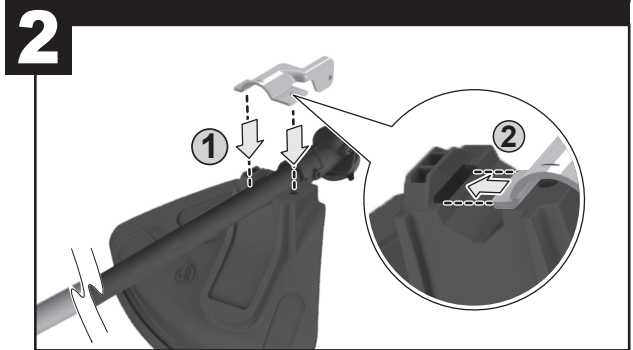
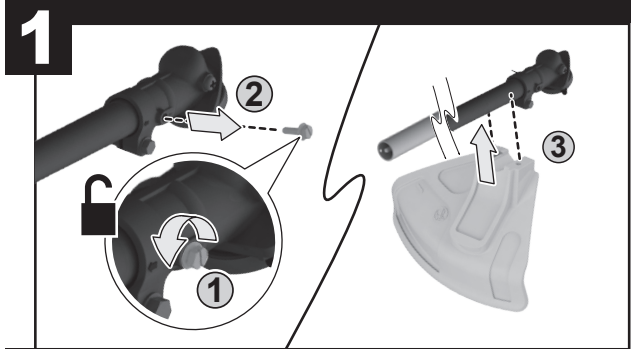


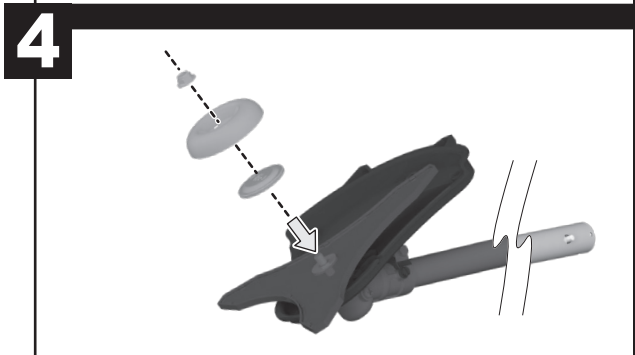
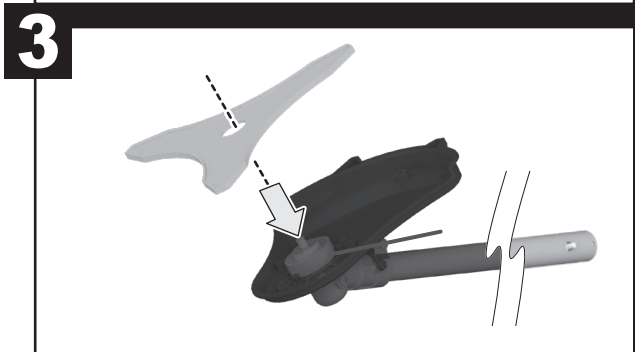
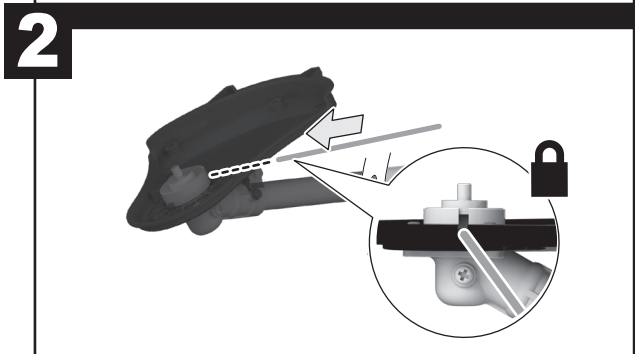
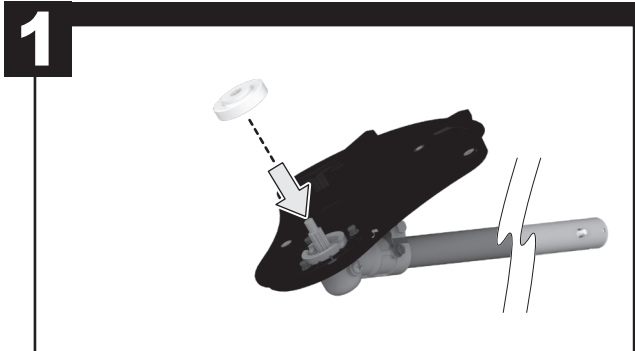
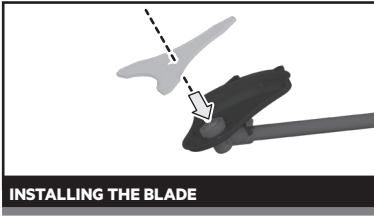






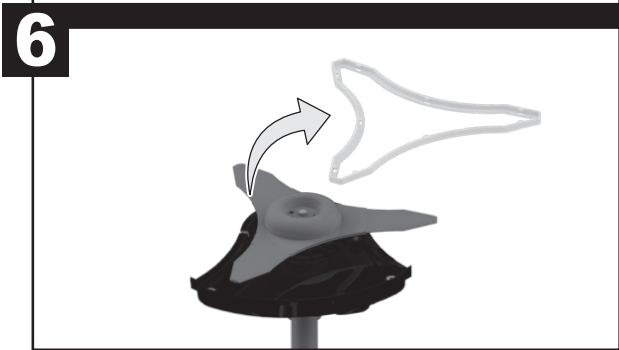
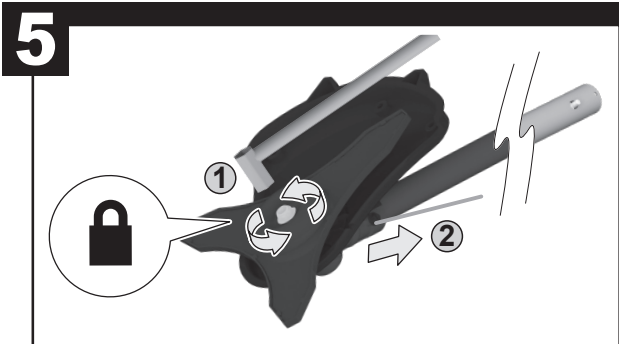




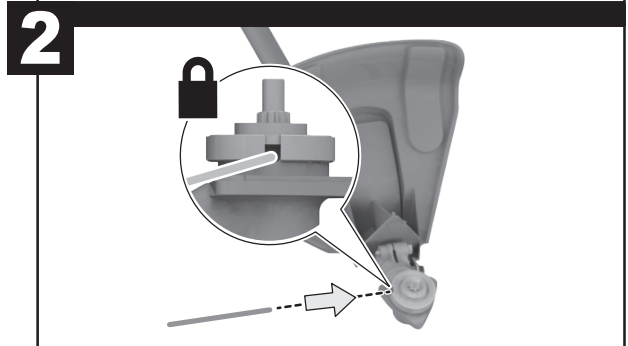
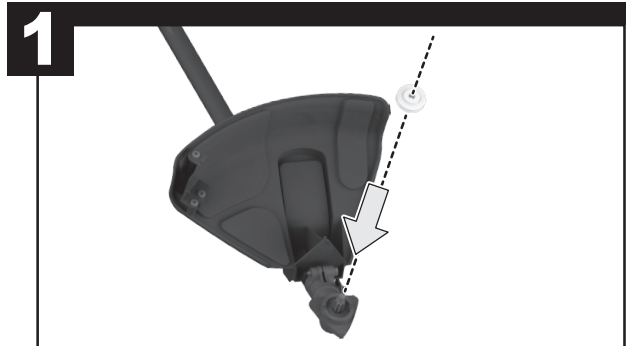


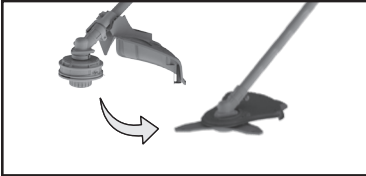
**NOTE:** When installing the blade head, always use a new nylon locking nut. Not using a new nylon locking nut can result in damage to the product or injury to the user.

**NOTE:** Make sure that the nylon locking nut torque is  $\geq 25$  Nm when assembling the blade. Failure to follow this procedure can result in serious injury. Nylon locking nut should have at least 4 turns after finger tight.

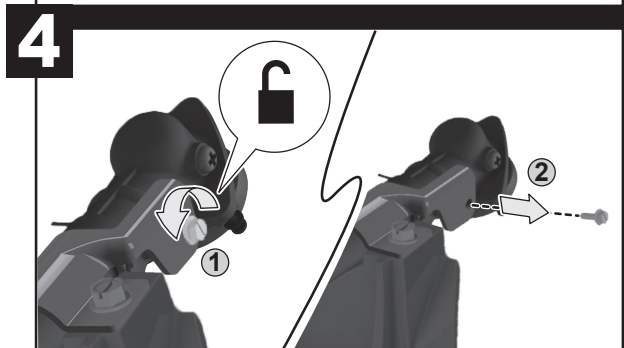
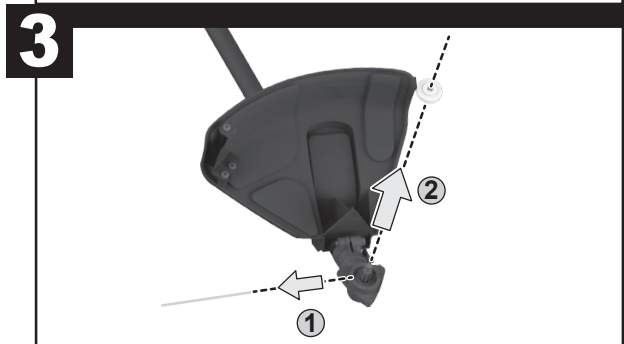
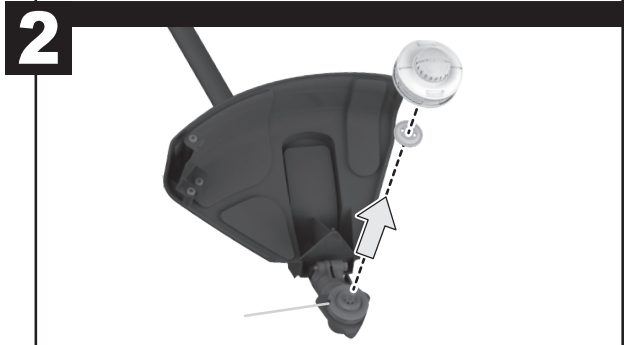


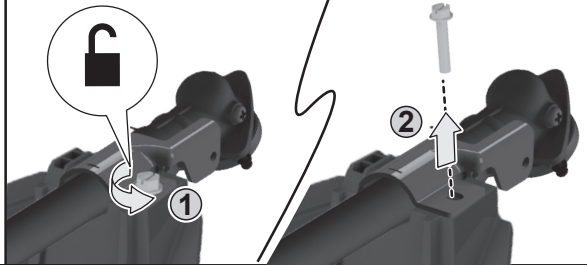
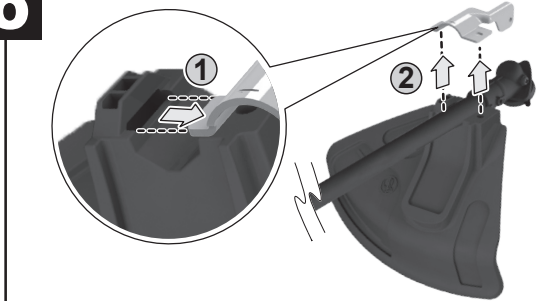
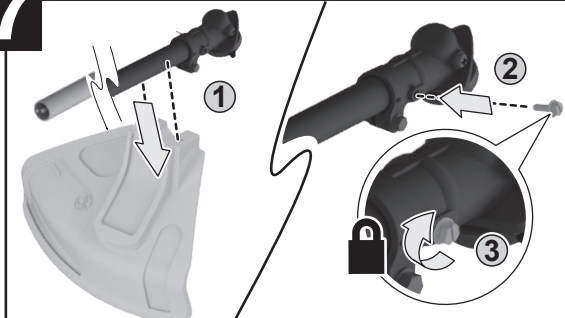
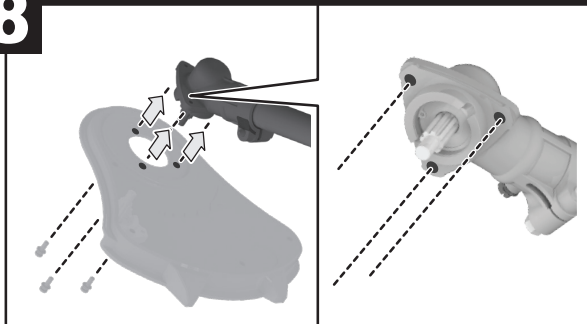




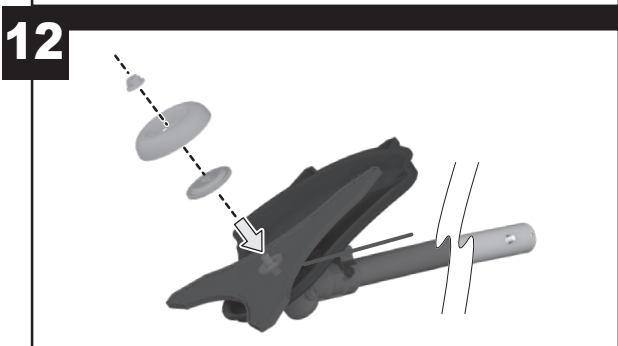
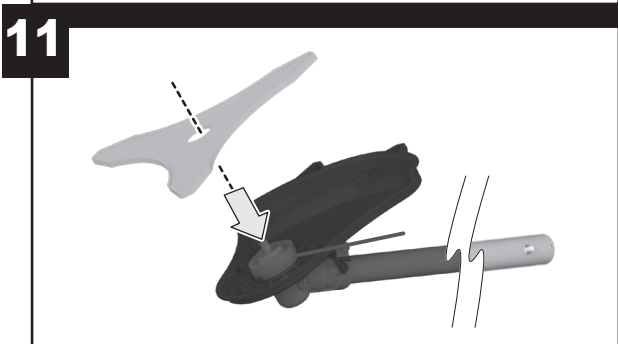
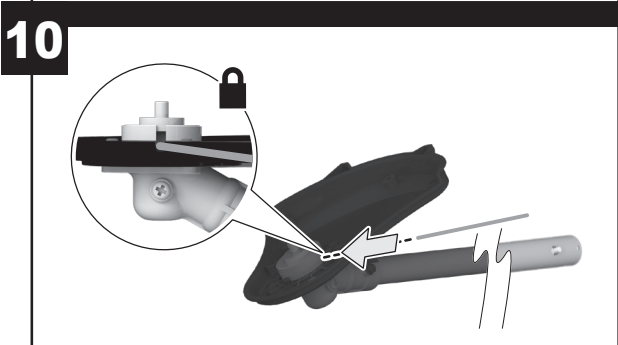
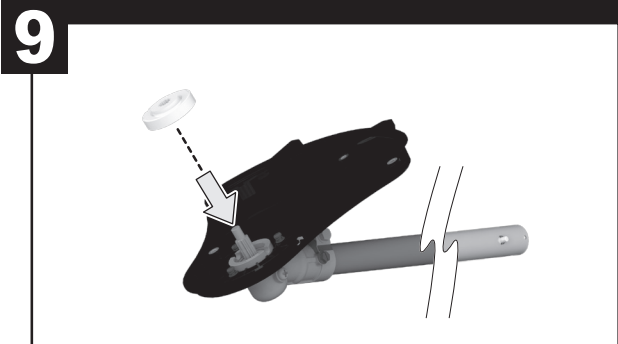


CHANGING FROM LINE TRIMMER HEAD TO BRUSHCUTTER HEAD

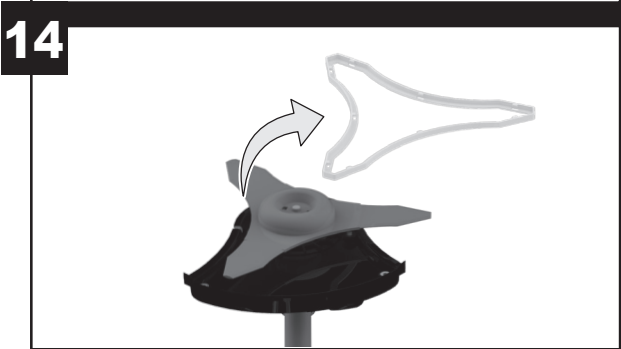
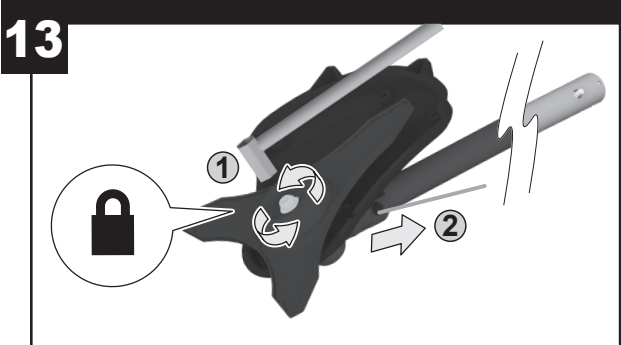


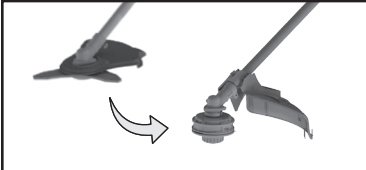
**5****6****7****8**

**NOTE:** When installing the blade head, always use a new nylon locking nut. Not using a new nylon locking nut can result in damage to the product or injury to the user.



**NOTE:** Make sure that the nylon locking nut torque is  $\geq 25$  Nm when assembling the blade. Failure to follow this procedure can result in serious injury. Nylon locking nut should have at least 4 turns after finger tight.



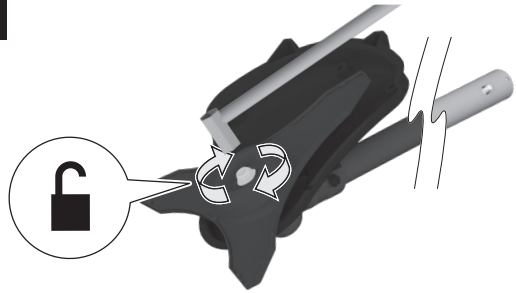


CHANGING FROM BRUSHCUTTER HEAD TO LINE TRIMMER HEAD

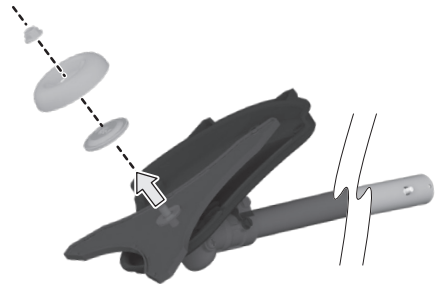
1



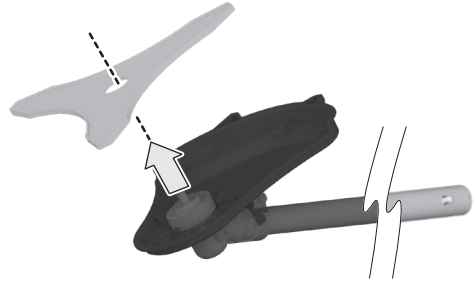
2



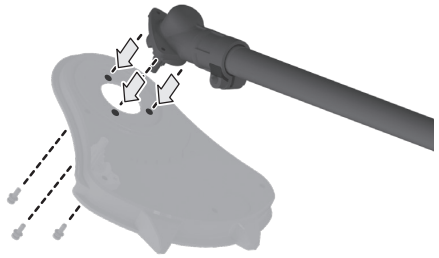
3



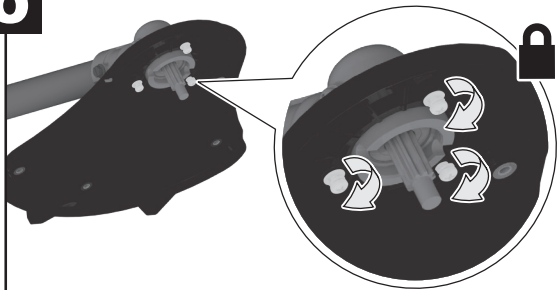
4



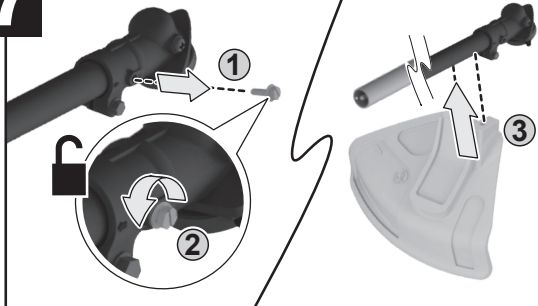
5



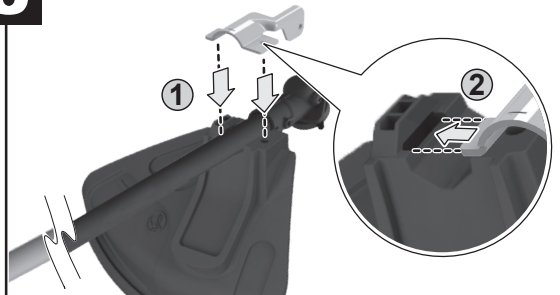
6

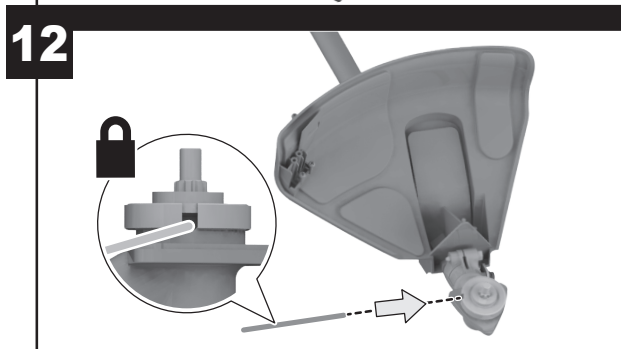
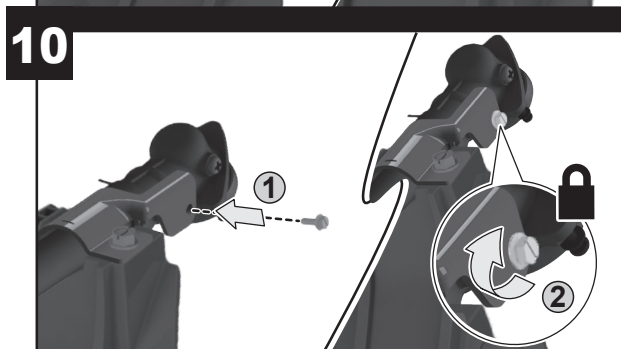
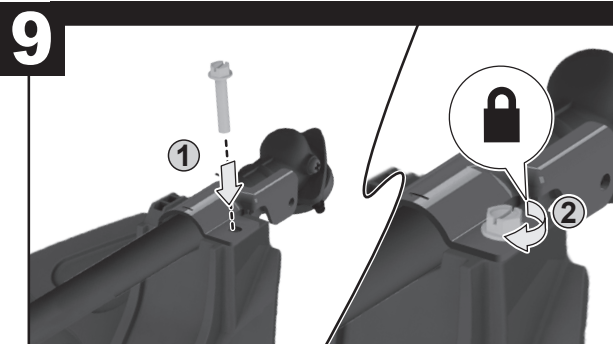


7



8





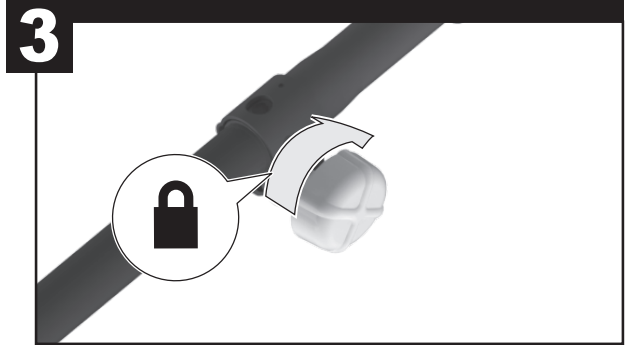
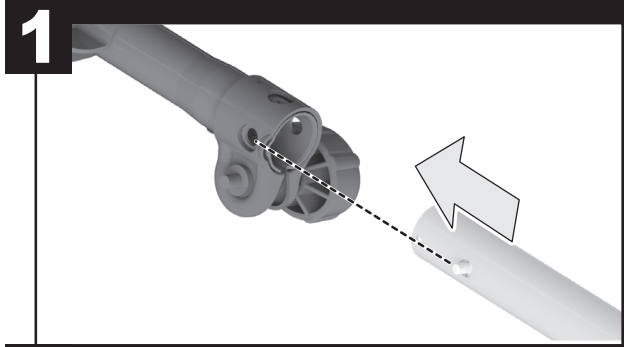
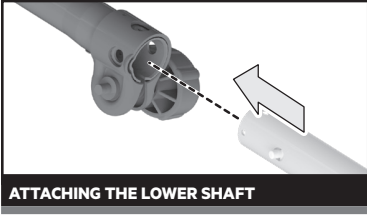


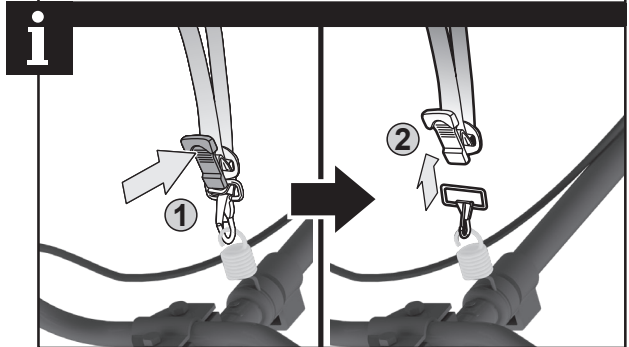
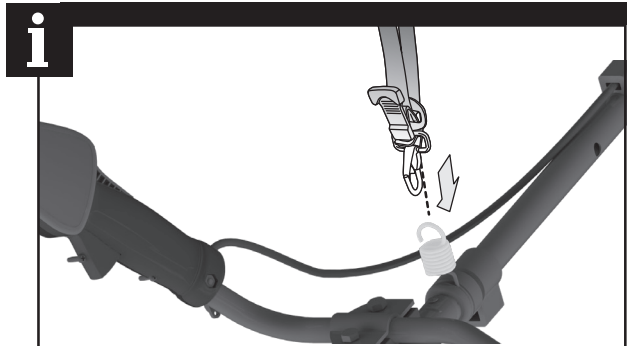
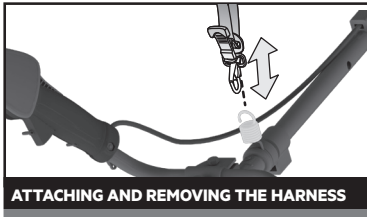
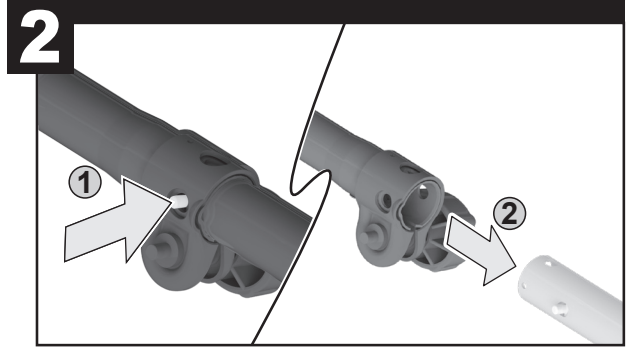
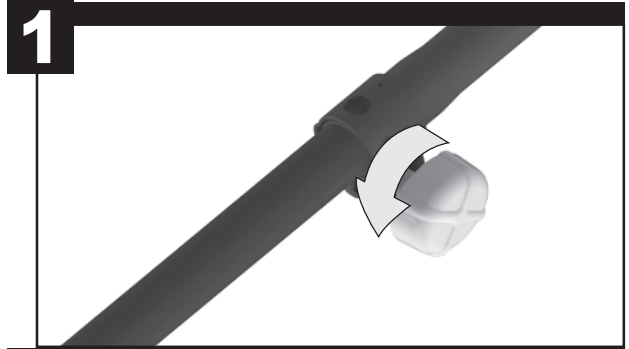
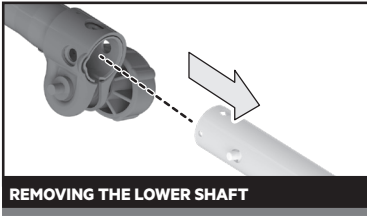
13



14





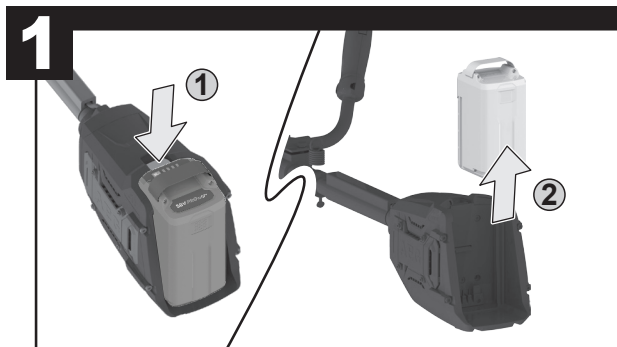
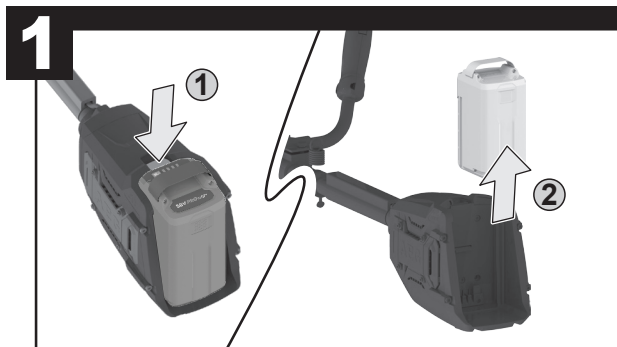


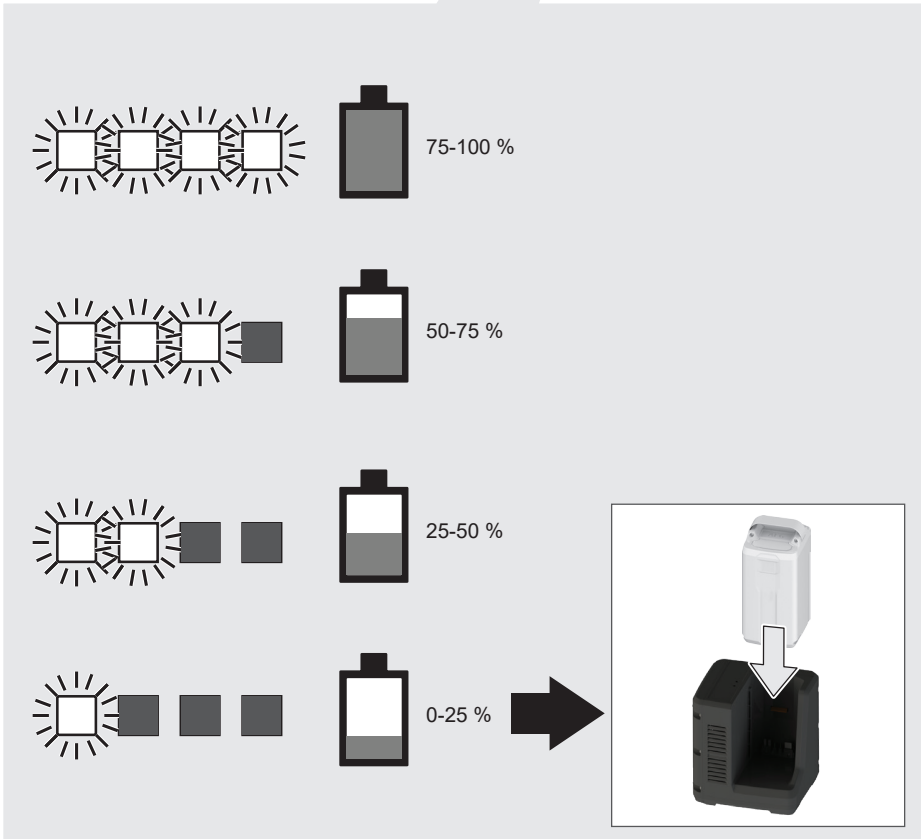
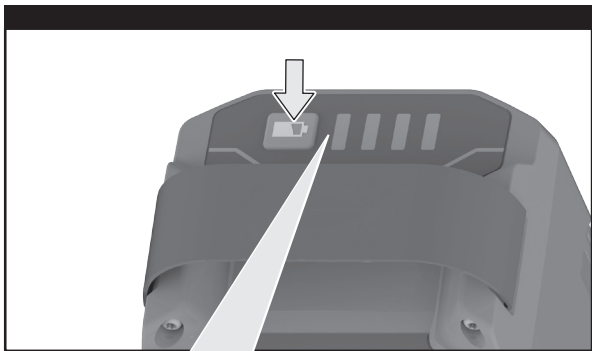


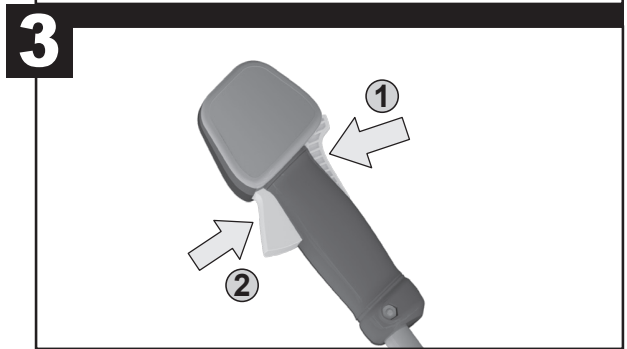
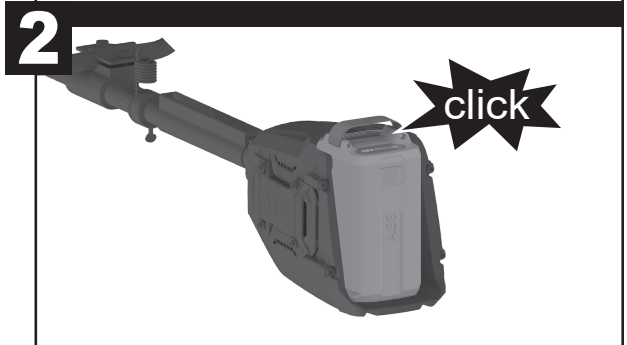
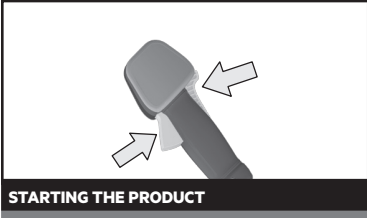
**INSERTING THE BATTERY PACK**

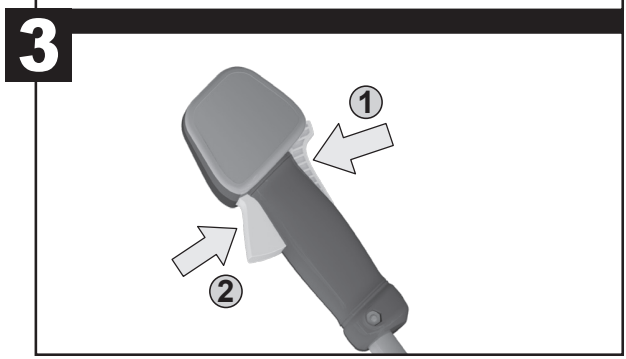
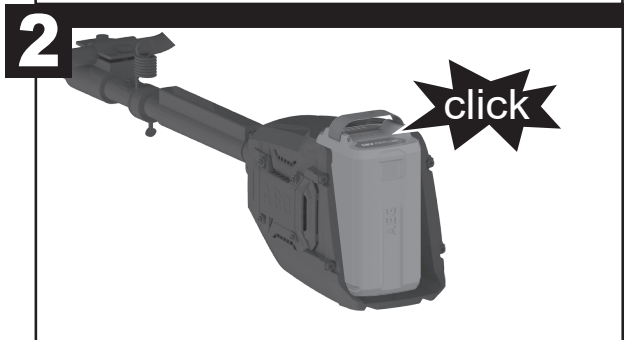
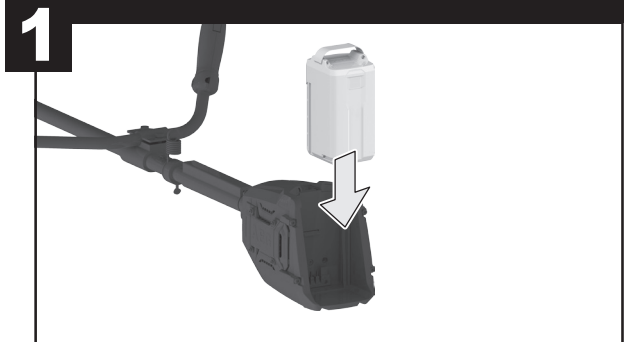
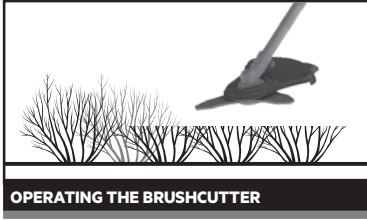


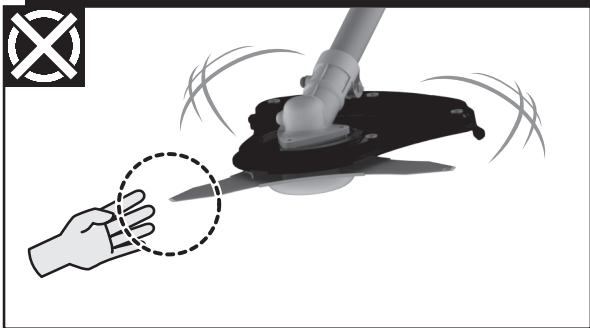
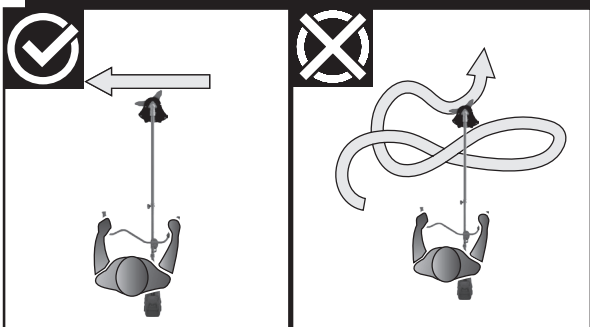
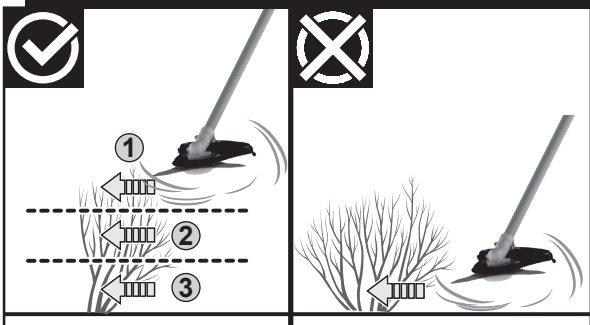
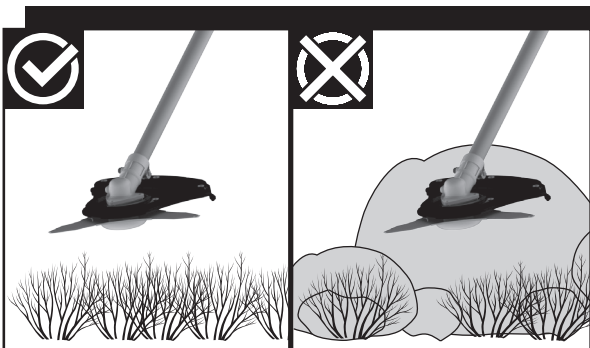
**REMOVING THE BATTERY PACK**



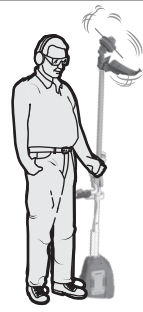
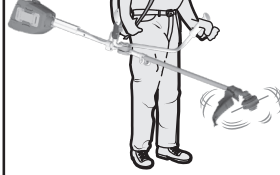




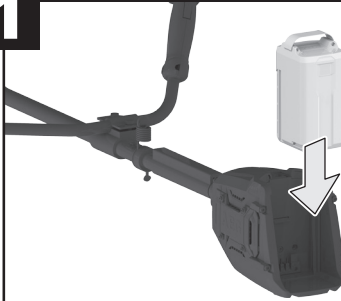




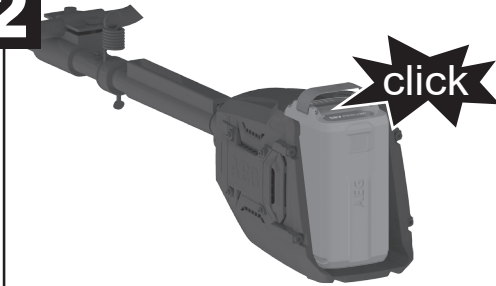




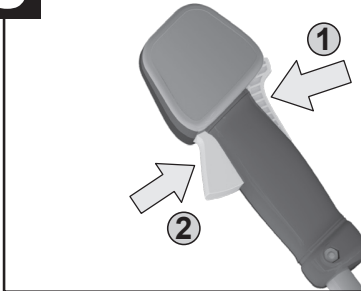
**1**



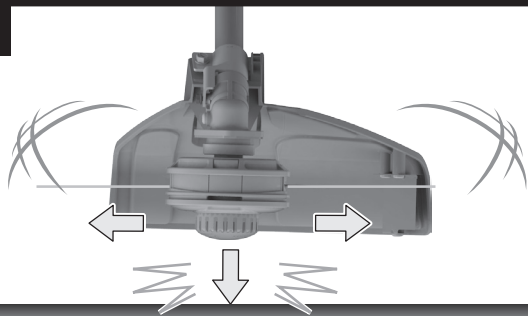
**2**



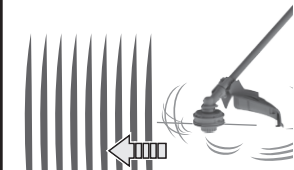
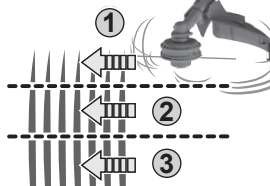
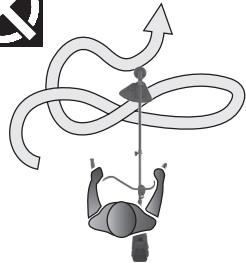
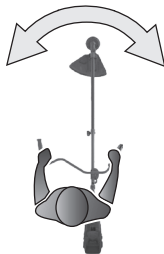
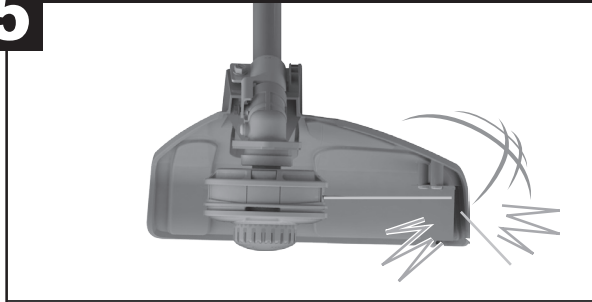
**3**

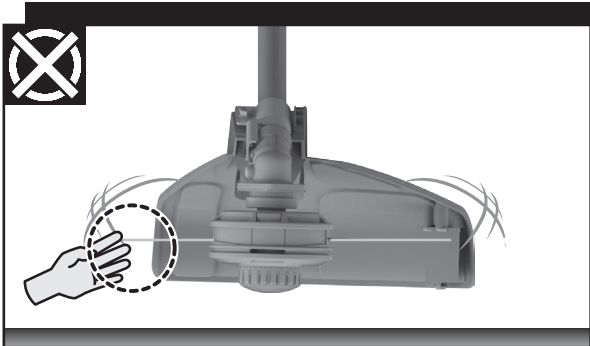


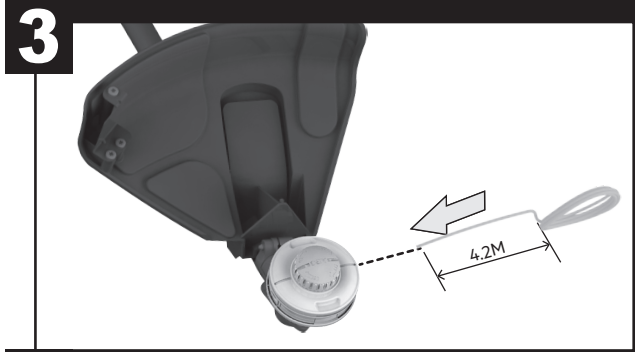
4

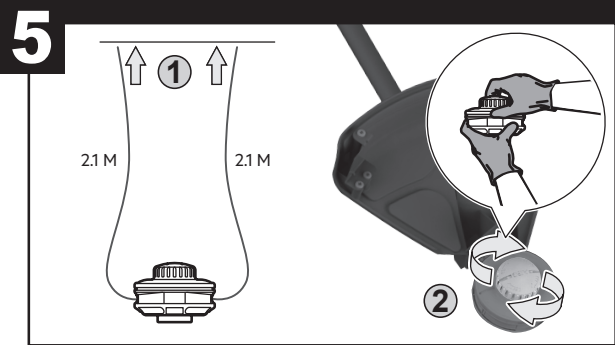


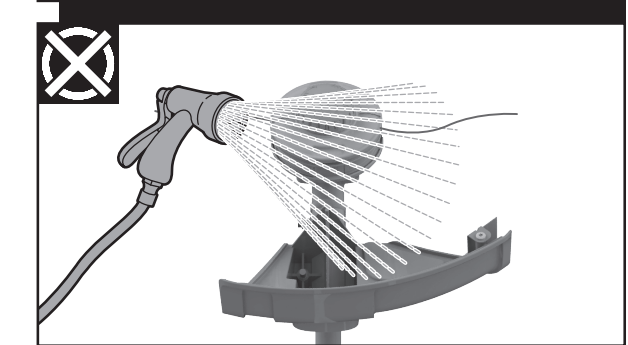
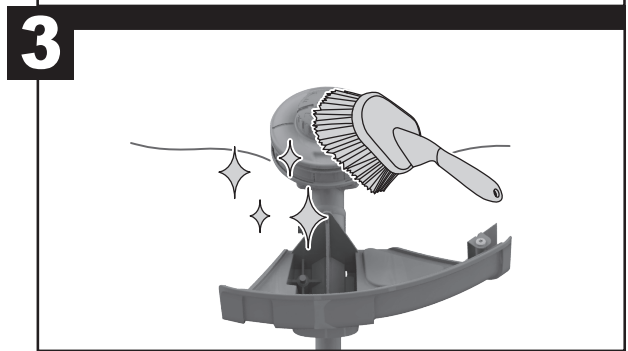
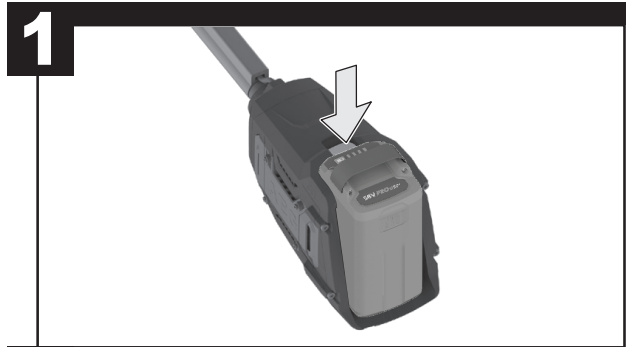
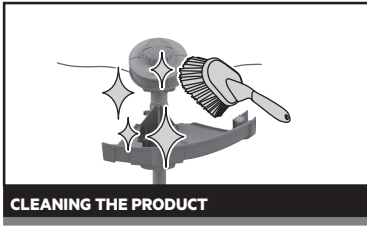
5

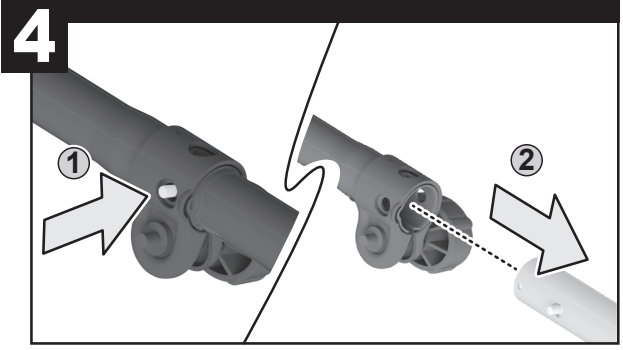
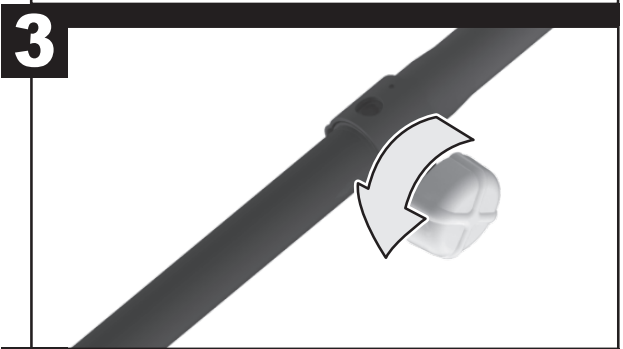
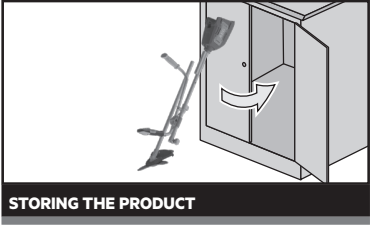




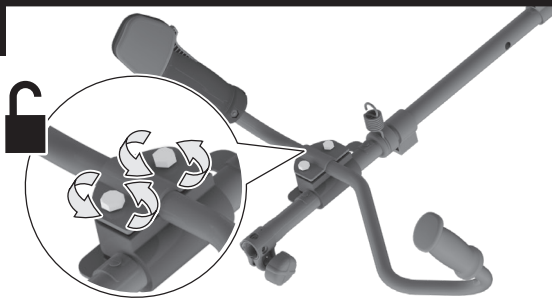




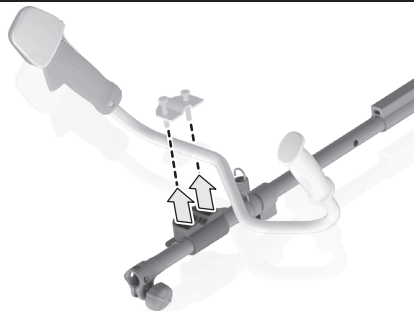




5



6



7



8



**NOTE:** Always store the product in a cool, dry, well-ventilated area.



**TECHNICAL DATA****CORDLESS LINE TRIMMER / BRUSHCUTTER**

A58BCT18/ALT58BC/ALT58BC401

Voltage	58 V d.c.
No-load speed - Line trimmer	5150/min
No-load speed - Brushcutter	5800/min
Cutting line diameter	2.4 mm
Cutting capacity	
- Line trimmer cut swath	430 mm
- Brushcutter cut swath	256 mm
Weight without battery pack (Line trimmer / Brushcutter)	5.3 kg / 5.1 kg

**Line trimmer mode (cutting line 903080001)**

- A-weighted sound pressure level at the operator's position	$L_{pA} = 85.9$ dB(A)
- Uncertainty	$K = 2.5$ dB
- A-weighted sound power level	$L_{WA} = 97.0$ dB(A)
- Uncertainty	$K = 2.5$ dB
Vibration level	
- Left handle	$a_h = 0.3$ m/s <sup>2</sup>
- Right handle	$a_h = 0.4$ m/s <sup>2</sup>
- Uncertainty	$K = 1.5$ m/s <sup>2</sup>

**Line trimmer mode (cutting line 528721000)**

- A-weighted sound pressure level at the operator's position	$L_{pA} = 85.1$ dB(A)
- Uncertainty	$K = 2.5$ dB
- A-weighted sound power level	$L_{WA} = 97.8$ dB(A)
- Uncertainty	$K = 2.5$ dB
Vibration level	
- Left handle	$a_h = 0.5$ m/s <sup>2</sup>
- Right handle	$a_h = 0.4$ m/s <sup>2</sup>
- Uncertainty	$K = 1.5$ m/s <sup>2</sup>

**Brushcutter mode**

- A-weighted sound pressure level at the operator's position	$L_{pA} = 89.6$ dB(A)
- Uncertainty of measurement	$K = 2.5$ dB
- A-weighted sound power level	$L_{WA} = 98.4$ dB(A)
- Uncertainty of measurement	$K = 6.5$ dB
Vibration level (in accordance with EN ISO 11806-1)	
- Left handle	$a_h = 3.0$ m/s <sup>2</sup>
- Right handle	$a_h = 2.7$ m/s <sup>2</sup>
- Uncertainty of measurement	$K = 1.5$ m/s <sup>2</sup>

**⚠ WARNING!**

The vibration emission level given in this information sheet has been measured in accordance with a standardised test method and may be used to compare one tool with another. It may be used for a preliminary assessment of exposure.

The declared vibration emission level represents the main applications of the tool. However, if the tool is used for different applications, with different accessories or poorly maintained, the vibration emission may differ. This may significantly increase the exposure level over the total working period.

An estimation of the level of exposure to vibration should also take into account the times when the tool is switched off or when it is running but not actually doing the job. This may significantly reduce the exposure level over the total working period.

Identify additional safety measures to protect the operator from the effects of vibration, such as maintaining the tool and the accessories, keeping the hands warm, organising of work patterns.

**BATTERY AND CHARGER**

Model	ALT58BC	ALT58BC401	A58BCT18
Battery pack	-	A58BAT14	A58BAT18
Charger	-	ABC58S	ABC58S
Compatible battery packs	ABP58LI-201, ABP58LI-401, A58BAT14, A58BAT18		

**⚠ WARNING! Read all safety warnings and all instructions.** Failure to follow the warnings and instructions may result in electric shock, fire and/or serious injury.

**Save all warnings and instructions for future reference.**

**GENERAL SAFETY WARNINGS**

**⚠ WARNING! When using the product, the safety rules must be followed. For your safety and that of bystanders, read these instructions before operating the product. Keep the instruction safe for later use.**





**⚠ WARNING! This product is not intended to be used by children or persons with reduced physical, mental, or sensory capabilities, or lack of experience and knowledge. Children should be adequately supervised to ensure they do not play with the product.**

#### TRAINING

- Read the instructions carefully. Be familiar with all controls and the proper use of the product.
- Never allow children or people who are unfamiliar with these instructions to use the product. Local regulations may restrict the age of the operator.
- Keep the area clear of all bystanders, children, and pets while trimming. Turn off the product if anyone enters the area.
- Never operate the product when you are tired, ill, or under the influence of alcohol, drugs, or medication.
- Keep in mind that the operator or user is responsible for accidents or hazards occurring to other people or their property.

#### PREPARATION

- Wear full eye and hearing protection while using the product. If working in an area where there is a risk of falling objects, head protection must be worn.
- The use of hearing protection may restrict the operator's ability to hear warning sounds. Pay particular attention to potential hazards around and inside the working area.
- Wear heavy, long trousers, boots, and gloves. Do not wear loose-fitting clothing, short trousers, or jewellery of any kind. Do not use the product with bare feet.
- Secure long hair so it is above shoulder level to prevent entanglement in moving parts.
- Before use and after any impact, check that there are no damaged parts. A defective switch or any part that is damaged or worn should be properly repaired or replaced by an authorised service centre.
- Make sure the cutting attachment is properly installed and securely fastened.
- Do not use the product unless all guards, deflectors, and handles are properly and securely attached.
- Consider the environment in which you are working. Keep the working area free from wires, sticks, stones, and debris, which if struck by the cutter, can become thrown objects.

#### GENERAL POWER TOOL SAFETY WARNINGS

**⚠ WARNING! Read all safety warnings and all instructions.** Failure to follow the warnings and instructions may result in electric shock, fire and/or serious injury.

#### Save all warnings and instruction for future reference.

The term "power tool" in the warnings refers to your mains-operated (corded) power tool or battery-operated (cordless) power tool.

#### WORK AREA SAFETY

- **Keep work area clean and well lit.** Cluttered or dark areas invite accidents.
- **Do not operate power tools in explosive atmospheres, such as in the presence of flammable liquids, gases or dust.** Power tools create sparks which may ignite the dust or fumes.
- **Keep children and bystanders away while operating a power tool.** Distractions can cause you to lose control.

#### ELECTRICAL SAFETY

- **Power tool plugs must match the outlet. Never modify the plug in any way. Do not use any adapter plugs with earthed (grounded) power tools.** Unmodified plugs and matching outlets will reduce risk of electric shock.

- **Avoid body contact with earthed or grounded surfaces, such as pipes, radiators, ranges and refrigerators.** There is an increased risk of electric shock if your body is earthed or grounded
- **Do not expose power tools to rain or wet conditions.** Water entering a power tool will increase the risk of electric shock.
- **Do not abuse the cord. Never use the cord for carrying, pulling or unplugging the power tool. Keep cord away from heat, oil, sharp edges or moving parts.** Damaged or entangled cords increase the risk of electric shock.
- **When operating a power tool outdoors, use an extension cord suitable for outdoor use.** Use of a cord suitable for outdoor use reduces the risk of electric shock
- **If operating a power tool in a damp location is unavoidable, use a residual current device (RCD) protected supply.** Use of an RCD reduces the risk of electric shock.

#### PERSONAL SAFETY

- **Stay alert, watch what you are doing and use common sense when operating a power tool. Do not use a power tool while you are tired or under the influence of drugs, alcohol or medication.** A moment of inattention while operating power tools may result in serious personal injury.
- **Use personal protective equipment. Always wear eye protection.** Protective equipment such as dust mask, non-skid safety shoes, hard hat, or hearing protection used for appropriate conditions will reduce personal injury.
- **Prevent unintentional starting. Ensure the switch is in the off-position before connecting to power source and/or battery pack, picking up or carrying the tool.** Carrying power tools with your finger on the switch or energising power tools that have the switch on invites accidents.
- **Remove any adjusting key or wrench before turning the power tool on.** A wrench or a key left attached to a rotating part of the power tool may result in personal injury.
- **Do not overreach. Keep proper footing and balance at all times.** This enables better control of the power in unexpected situations.
- **Dress properly. Do not wear loose clothing or jewellery. Keep your hair, clothing and gloves away from moving parts.** Loose clothes, jewellery or long hair can be caught in moving parts.
- **If devices are provided for the connection of dust extraction and collection facilities, ensure these are connected and properly used.** Use of dust collection can reduce dust-related hazards.

#### POWER TOOL USE AND CARE

- **Do not force the power tool. Use the correct power tool for your application.** The correct power tool will do the job better and safer at the rate for which it was designed.
- **Do not use the power tool if the switch does not turn it on and off.** Any power tool that cannot be controlled with switch is dangerous and must be repaired.
- **Disconnect the plug from the power source and/or the battery pack from the power tool before making any adjustments, changing accessories, or storing power tools.** Such preventive safety measures reduce the risk of starting the power tool accidentally.
- **Store idle power tools out of the reach of children and do not allow persons unfamiliar with the power tool or these instructions to operate the power tool.** Power tools are dangerous in the hands of untrained users.
- **Maintain power tools. Check for misalignment or binding of moving parts, breakage of parts and any other condition that may affect the power tool's operation. If damaged, have the power tool repaired before use.** Many accidents are caused by poorly maintained power tools.
- **Keep cutting tools sharp and clean.** Properly maintained cutting tools with sharp cutting edges are less likely to bind and are easier to control.
- **Use the power tool, accessories and tool bits etc. in accordance with these instructions, taking into account the working conditions and the work to be performed.** Use of the power tool for operations different from those intended could result in a hazardous situation.





## BATTERY TOOL USE AND CARE

- **Recharge only with the charger specified by the manufacturer.** A charger that is suitable for one type of battery pack may create a risk of fire when used with another battery pack.
- **Use power tools only with specifically designated battery packs.** The use of any other battery packs may create a risk of injury and fire
- **When battery pack is not in use, keep it away from other metal objects, like paper clips, coins, keys, nails, screws or other small metal objects that can make a connection from one terminal to another.** Shorting the battery terminals together may cause burns or a fire.
- **Under abusive conditions, liquid may be ejected from the battery; avoid contact. If contact accidentally occurs, flush with water. If liquid contacts eyes, additionally seek medical help.** Liquid ejected from the battery may cause irritation or burns.

## SERVICE

- **Have your power tool serviced by a qualified repair person using only identical replacement parts.** This will ensure that safety of the power tool is maintained.

## LINE TRIMMER SAFETY WARNINGS

- Some regions have regulations that restrict the use of the product. Check with your local authority for advice.
- Never allow children or people who are unfamiliar with these instructions to use the product.
- Use the product in the daylight or with good artificial light.
- Avoid using the product on wet grass.
- Do not walk backwards when using the product.
- Keep firm footing and balance. Do not overreach. Overreaching can result in loss of balance. Always be sure of your footing on slopes. Walk, never run.
- Avoid using the product in bad weather conditions especially when there is a risk of lightning.
- Keep bystanders, children, and pets 15 m away from the area of operation. Turn off the product if anyone enters the area.
- Keep the cutting attachment below waist level.
- Do not use the product with damaged guards or without guards in place.
- Do not fit a metal replacement line.
- Keep hands and feet away from the cutting means at all times, especially when turning on the motor.
- Beware, the cutting elements continue to rotate after the motor is turned off.
- Beware of objects thrown by the cutting means. Remove debris like small stones, gravel, and other foreign objects from the work area before starting operation.
- Turn off the product and remove the battery pack. Make sure that all moving parts have come to a complete stop:
  - before servicing
  - before leaving the product unattended
  - before clearing a blockage
  - before checking, cleaning, and working on the product
  - before changing accessories
  - after striking a foreign object
  - whenever performing maintenance
  - whenever the product starts to vibrate abnormally
  - before removing the blade
  - before installing the blade
- The small blade fitted to the line trimmer guard is designed to trim the new extended line to the correct length for safe and optimum performance. It is very sharp; do not touch it, particularly when cleaning the product. Do not adjust the position of the small blade.
- Always ensure that ventilation openings are kept clear of debris.

- Make sure that the cutting head attachment is properly installed and securely fastened.
- Make sure that all guards, deflectors, and handles are properly and securely attached.
- Do not modify the product in any way. This may increase the risk of injury to yourself or others.
- Use only the manufacturer's replacement cutting line. Do not use any other cutting attachment.
- Immediately turn off the product in the event of accident or breakdown. Do not use the product again until it has been fully checked by an authorised service centre.

## BRUSHCUTTER SAFETY WARNINGS

- In addition to the above rules, these additional instructions are appropriate when using the product in brushcutter mode.
- Use heavy-duty gloves while installing or removing blades, they have sharp edges.
- Do not attempt to touch or stop the blade when it is rotating.
- A moving blade can cause severe injury. Maintain proper control of the product with both hands until the blade has completely stopped rotating.
- Replace any blade that has been damaged. Always make sure that the blade is installed correctly and securely fastened before each use.
- Use only the manufacturer's replacement blade. Do not use any other cutting attachment.
- Do not cut any material over 13 mm diameter.
- Your brushcutter is fitted with a harness. Carefully adjust the harness to fit comfortably and help support the weight of the product at your right side.
- Identify the quick-release mechanism and practice using it before you start using the product. Its correct use may prevent serious injury in case of an emergency. Never wear additional clothing over the harness or anything that can restrict access to the quick release mechanism.
- Cover the blade with the blade protector before storing the product or during transportation. Always remove the blade protector before using the product. If not removed, the blade protector could become a thrown object as the blade begins to turn.
- Exercise extreme caution when using the blade with the product. Blade thrust is the reaction that may occur when the spinning blade contacts anything it cannot cut. This contact may cause the blade to stop for an instant, and suddenly "thrust" the product away from the object that was hit. This reaction can be violent enough to cause the operator to lose control of the product. Blade thrust may occur without warning if the blade snags, stalls, or binds. This is more likely to occur in areas where it is difficult to see the material being cut.
- For cutting ease and safety, approach the weeds being cut from the right to the left. In the event that an unexpected object or woody stock is encountered, this practice could minimize the blade thrust reaction. Both hands must be used at all times to control the product.

## ADDITIONAL SAFETY WARNINGS

**⚠ WARNING! Never use cutting means or attachments that are not specified by AEG in this manual. This includes the use of metal multi-piece pivoting chains and flail-blades. These items are known to break up during use and present high risk of serious injury to the operator or bystanders.**

**⚠ WARNING! Inspection after dropping or other impacts: Thoroughly inspect the product and identify any problems or damage to it. Any part that is damaged should be properly repaired or replaced by an authorised service centre.**

Do not dispose of used battery packs in the household refuse or by burning them. AEG Distributors offer to retrieve old batteries to protect our environment.

Do not store the battery pack together with metal objects (short circuit risk).



Use only ABC58S charger for charging the battery pack. Do not use a battery pack from other systems.

Compatible battery pack: ABP58L1401

Battery acid may leak from damaged batteries under extreme load or extreme temperatures. In case of contact with battery acid, wash it off immediately with soap and water. In case of eye contact, rinse thoroughly for at least 10 minutes and immediately seek medical attention.

### ADDITIONAL BATTERY SAFETY WARNING

**⚠ WARNING! To reduce the risk of fire, personal injury, and product damage due to a short circuit, never immerse the product, battery pack, or charger in fluid or allow fluid to flow inside them. Corrosive or conductive fluids, such as seawater, certain industrial chemicals, and bleach or bleach-containing products, etc., can cause a short circuit.**

### RESIDUAL RISKS

Even when the product is used as prescribed, it is still impossible to completely eliminate certain residual risk factors. The following hazards may arise during use, and the operator should pay special attention to avoid the following:

- injury caused by vibration
  - Hold the product by designated handles and restrict working time and exposure.
- injury caused by exposure to noise
  - Wear hearing protection and limit exposure.
- injury caused by flying debris
  - Wear eye protection at all times.
- contact with the cutting means.
  - Ensure that the blade protectors are fitted when the product is not in use. Keep hands and feet away from the blades at all times.
- kickback when using the brushcutter
  - Ensure proper control by using both hands on the designated handles. Read and follow the directions elsewhere in this manual to help reduce the risk of kickback.
- risk of falling objects
  - During brushcutting, wear head protection if there is any risk of falling objects.

### RISK REDUCTION

It has been reported that vibrations from handheld tools may contribute to a condition called Raynaud's Syndrome. Symptoms may include tingling, numbness, and blanching of the fingers, usually apparent upon exposure to cold. Hereditary factors, exposure to cold and dampness, diet, smoking, and work practices are all thought to contribute to the development of these symptoms. There are measures that can be taken by the operator to possibly reduce the effects of vibration:

- Keep your body warm in cold weather. When using the product, wear gloves to keep the hands and wrists warm. It is reported that cold weather is a major factor contributing to Raynaud's Syndrome.
- After each period of operation, exercise to increase blood circulation.
- Take frequent work breaks. Limit the amount of exposure per day.

If you experience any of the symptoms of this condition, immediately discontinue use and see your physician.

**⚠ WARNING! Injuries may be caused, or aggravated, by prolonged use of a tool. When using any tool for prolonged periods, ensure you take regular breaks.**

### SPECIFIED CONDITIONS OF USE

The cordless line trimmer / brushcutter is intended to be used only by adults who have read and understood the instructions and warnings in this manual and can be considered responsible for their actions. The product is intended only for outdoor use in a well-ventilated area.

For safety reasons, the product must be adequately controlled by a two-handed operation.

The product fitted with the line trimmer head (and appropriate guard) is intended for cutting long grass, pulpy weed, and similar vegetation at or about ground level.

When fitted with the blade (and appropriate guard), it can also cut bushes. The cutting plane should be approximately parallel to the ground surface.

The product should not be used to cut or trim hedges, bushes, or other vegetation where the cutting plane is not parallel to the ground surface. Do not use the product for any purpose not listed in the Specified Conditions of Use.

### TRANSPORTATION AND STORAGE

- Turn off the product, remove the battery pack, and allow the product to cool down before storing or transporting.
- Remove all foreign materials from the product. Store it in a cool, dry, and well-ventilated place that is inaccessible to children. Keep the product away from corrosive agents, such as garden chemicals and de-icing salts. Do not store the product outdoors.
- If a cutting blade is fitted, cover it with the blade protector.
- For storage, always remove the battery pack.
- For transportation in a vehicle, secure the product against movement or falling to prevent injury to persons or damage to the product.

### MAINTENANCE

**⚠ WARNING! Use only AEG accessories and AEG spare parts. Failure to do so can cause possible injury, contribute to poor performance, and may void your warranty. Should components need to be replaced which have not been described, please contact one of our AEG service agents (see our list of guarantee/service addresses).**

**⚠ WARNING! Servicing requires extreme care and knowledge and should be performed only by a qualified service technician. For service, bring the product to an authorised service centre for repair. When servicing, use only original replacement parts.**

**⚠ WARNING! Make sure that the nylon locking nut torque is  $\geq 25$  Nm when assembling the blade. Failure to follow this procedure can result in serious injury. Nylon locking nut should have at least 4 turns after finger tight.**

- Turn off the product and remove the battery pack before conducting any maintenance or cleaning work.
- You may only make adjustments and repairs described in this manual. For other repairs, contact an authorised service centre.
- For the replacement line, use only nylon filament line of the diameter described in the specification table of this manual.
- After extending the new cutter line, always return the product to its normal operating position before starting.
- After each use, clean the product with a soft, dry cloth. Any part that is damaged should be properly repaired or replaced by an authorised service centre.
- Check all nuts, bolts, and screws before each use and at frequent intervals for proper tightness to ensure that the product is in safe working condition. Any part that is damaged should be properly repaired or replaced by an authorised service centre.
- Bring the product to an authorised service centre to replace damaged or unreadable labels.

### Replacement parts

Part	Accessory number	Part number
Trimmer head	AAC101	4932459666
Grass deflector		4931461345
Blade	AAC100	4932459665
Blade guard		4931461344
Spare cutting line	AAC102	4932459674

## BATTERIES

Battery packs that have not been used for some time should be recharged before use.

Temperatures in excess of 50°C (122°F) reduce the performance of the battery pack. Avoid extended exposure to heat or sunshine (risk of overheating).

The contacts of chargers and battery packs must be kept clean.

For an optimum lifetime, the battery packs must be fully charged after used.

To obtain the longest possible battery life, remove the battery pack from the charger once it is fully charged.

For battery pack storage longer than 30 days:

- Store the battery pack where the temperature is below 27°C and away from moisture.
- Store the battery packs in a 30% - 50% charged condition.
- Every six months of storage, charge the pack as normal.

## TRANSPORTING LITHIUM BATTERIES

Lithium-ion batteries are subject to the Dangerous Goods Legislation requirements.

Transportation of those batteries must be done in accordance with local, national, and international provisions and regulations.

- The user can transport the batteries by road without further requirements.
- Commercial transport of lithium-ion batteries by third parties is subject to Dangerous Goods regulations. Transport preparation and transport are exclusively to be carried out by appropriately trained persons and the process must be accompanied by corresponding experts.

When transporting batteries:

- Ensure that battery contact terminals are protected and insulated to prevent short circuit.
- Ensure that the battery pack is secured against movement within packaging.
- Do not transport batteries that are cracked or leaking.

Check with forwarding company for further advice.

## SYMBOLS



Safety alert



Read and understand all instructions before operating the product. Follow all warnings and safety instructions.



Wear eye, ear, and head protection.



Wear non-slip safety footwear when using the product.



Wear non-slip, heavy-duty gloves.



Do not expose the product to rain or damp conditions.



Beware of thrown or flying objects. Keep all bystanders, especially children and pets, at least 15 m away from the operating area.



Keep hands away from the cut-off blade.



Class II tool, double insulation



Waste electrical products should not be disposed of with household waste. Please recycle where facilities exist. Check with your local authority or retailer for recycling advice.



The product is not intended for use with a toothed saw type blade.



Beware of blade thrust.



Regulatory Compliance Mark (RCM). Product meets applicable regulatory requirements.



The blade appropriate for the product and suited for cutting pulpy weeds and vines.



Rotational direction and maximum speed of the shaft for the cutting attachment.



Line trimmer  
Guaranteed sound power level



Brushcutter  
Guaranteed sound power level

The following signal words and meanings are intended to explain the levels of risk associated with this product.

### DANGER

Indicates an imminently hazardous situation, which, if not avoided, will result in death or serious injury.

### WARNING

Indicates a potentially hazardous situation, which, if not avoided, could result in death or serious injury.

### CAUTION

Indicates a potentially hazardous situation, which, if not avoided, may result in minor or moderate injury.

### CAUTION

Without safety alert symbol

Indicates a situation that may result in property damage.





# AEG

[www.aegpowertools.com.au](http://www.aegpowertools.com.au)  
[www.aegpowertools.co.nz](http://www.aegpowertools.co.nz)

**Techtronic Industries Australia Pty Ltd**

31 Gilby Road, Mount Waverley,  
VIC, 3149, Australia

**Techtronic Industries N.Z. Limited**

Unit C, 70 Business Parade South,  
Highbrook, Auckland 2013, New Zealand

*AEG is a registered trade mark used under  
license from AB Electrolux (publ).*

961087494-01