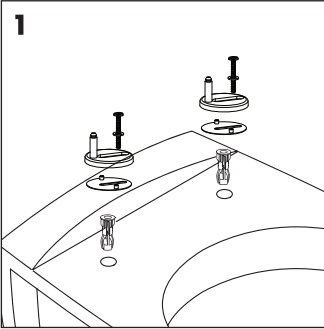
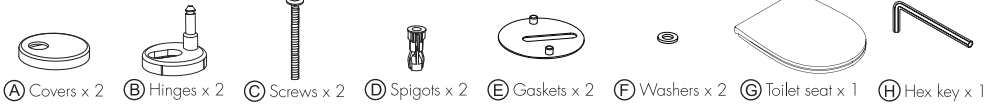


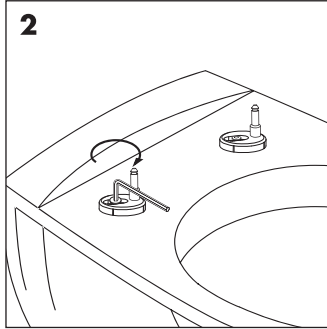
TOILET SEAT INSTALLATION

INS A78 V1
25/03/19

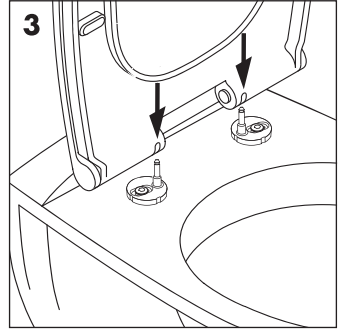
COMPONENT LIST



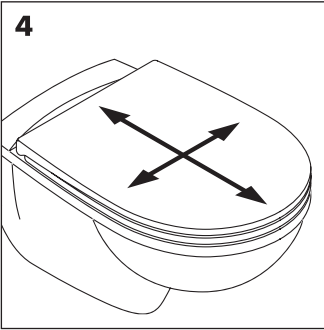
Install washers (F) onto screws. Insert components (B), (C), (E) and (D) into the pan.



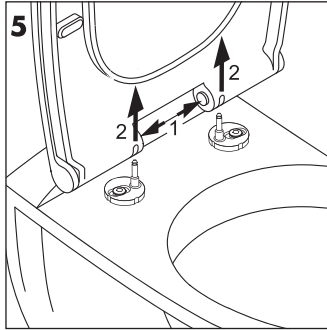
Semi-tighten the screws (C) in a clockwise direction. Do not fully tighten, as the position of the hinges (B) may need to be adjusted.



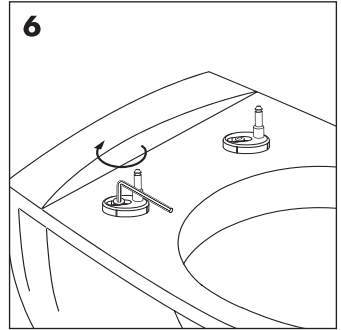
Clip on the toilet seat (G).



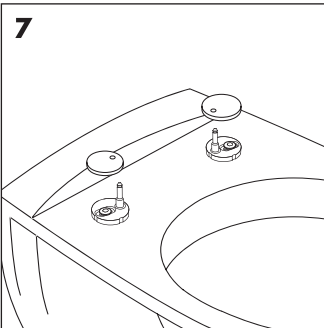
Align the toilet seat (G) with the pan.



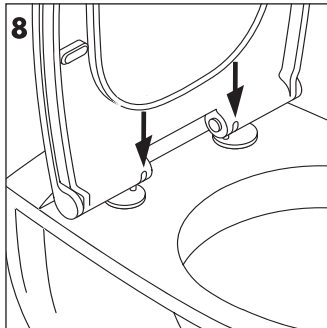
Remove seat (G) by pressing the release buttons, then lifting it upwards.



Fully tighten the screws (C) in a clockwise direction.



Place the covers (A) over the hinges (B).



Clip on the toilet seat (G).