

click®

15CM DESK FAN

2 SPEED SETTINGS



INSTRUCTION MANUAL

item.no: 0595363

IMPORTANT SAFEGUARDS

When using electrical appliances, basic precautions should always be followed to reduce the risk of fire, electric shock and injury to persons, including the following:

For Your Safety

Read all instructions carefully, even if you are quite familiar with the appliance.

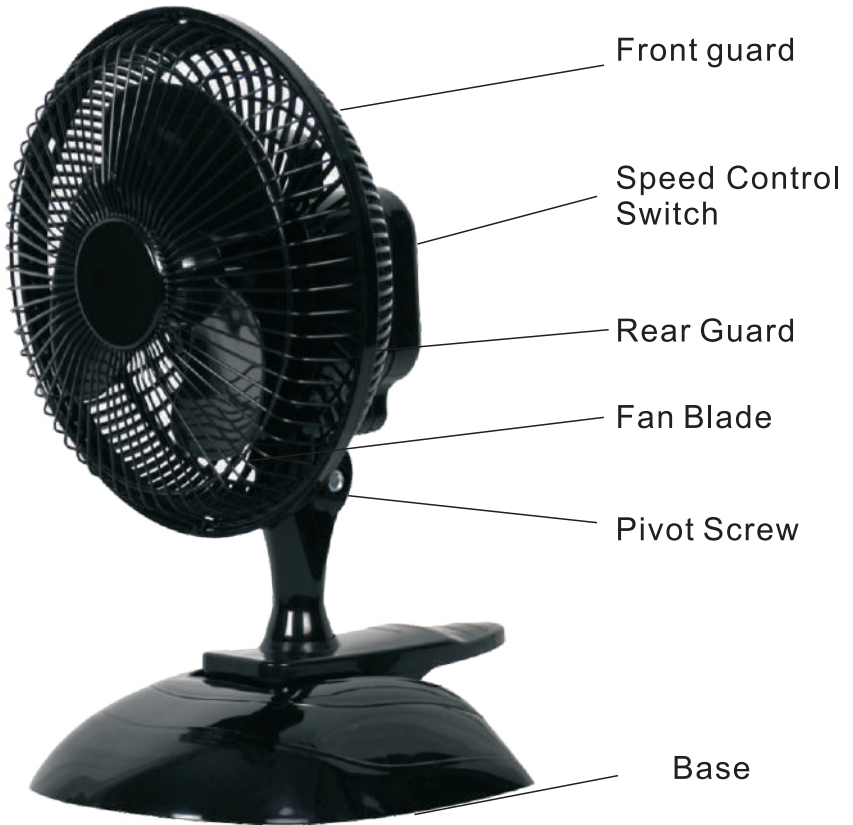
- To prevent fire or shock hazard, do not expose this appliance to rain or moisture.
- Dangerous high voltages are present inside this enclosure. To avoid electric shock, Do not open the cabinet. Refer servicing to qualified personnel only.
- This appliance is intended for indoor use only and not for commercial, industrial or outdoor use. Other use not recommended may cause fire, electric shock or injury.
- To protect against fire, electrical shock and injury to persons, do not immerse the unit, plug or cord in water or spray it with liquids.
- The apparatus shall not be exposed to dripping or splashing. Do not place the fan close to an open window. Rain splashing on the fan could cause an electric shock hazard.
- Ventilation should not be impeded by covering the ventilation openings. Slots and opening are provided for ventilation to ensure reliable operation of the product and to protect it from overheating.
- Place the fan on a stable level surface when operating to avoid overturning.
- Only connect to a suitably AC 220-240V~50Hz mains socket.
- Do not operate the fan in the presence of explosive and/ or flammable fumes. Do not place the fan or any parts near an open flame, cooking or other heating appliance. Never install the unit where it could be subject to mechanical vibration/shock or excessive dust.
- Do not use fan near curtains, plants, window furnishings, or where other objects can become caught in the blades. Do not let the power cord hang over the edge of a table or counter or let it touch any hot surfaces.
- This appliance is not intended for use by persons (including children) with reduced physical, sensory or mental capabilities, or lack of experience and knowledge, unless they have been given supervision or instruction concerning use of the appliance by a person responsible for their safety.
- Children should be supervised to ensure that they do not play with the appliance.
- Do not leave the appliance running or operable in a place where young children or animals could have access to it without supervision.
- Turn the fan off and unplug it from the outlet when it is not in use, when moving fan from one location to another and before cleaning.
- To disconnect, grip the plug and pull it from the wall outlet. Never pull by the cord.
- Do not operate the fan with a damaged cord or plug, after a malfunction or if it is dropped or damaged in any manner.
- Do not attempt to repair, disassemble or modify the appliance. There are no user- serviceable parts inside.

Warning:

- **Avoid contact with moving parts. Do not insert fingers or allow foreign objects to enter the grille openings as this may cause damage to the appliance and/or injury to the user.**
- **Do not use the fan without fully assembled. The fan must operate standing upright.**
- **Do not operate without the fan grille properly in place. Do not use the fan if grille becomes deformed, damaged or loosen to avoid injury to persons.**
- **If the supply cord is damaged, it must be replaced by the manufacturer, its service agent, or similarly qualified persons in order to avoid a hazard.**

Save These Instructions

Features of Your Desk Fan



Your Desk Fan

Congratulations on the purchase of your new Desk Fan.

Before first using your Fan, it is most important that you read and follow the instructions in this use and care booklet, even if you feel you are quite familiar with this type of appliance.

Your attention is drawn particularly to the section dealing with **IMPORTANT SAFEGUARDS**. Find a place and keep this booklet handy for future reference.

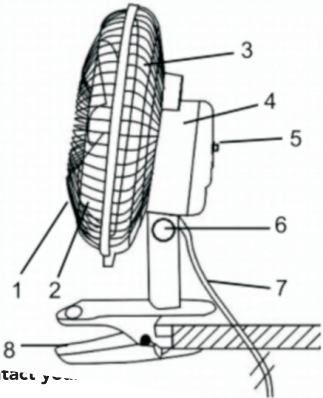
Your designed to function quietly and safely under normal circumstances.

This quality Fan is fully portable, with sturdy base and a modern design.

Assembly The Desk Fan

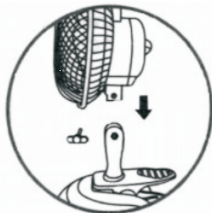
Please refer to the following diagram for assembly

- 1 Front Guard
- 2 Fan Blade
- 3 Rear Guard
- 4 Motor Housing
- 5 Speed Control Switch
- 6 Pivot Screw
- 7 Power Cord



Remove all packing material and accessories. Make sure all the accessories are included, if any item is damaged or missing, contact your...

Install the fan onto the **ROTARY PILLAR** and tighten the **FAN ANGLE ADJUSTMENT** (see Fig.2)

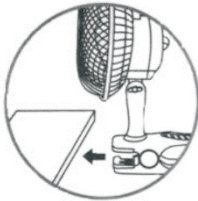


(Fig. 2)

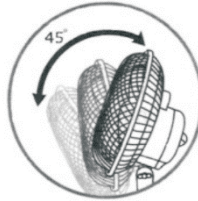
CAUTION: Ensure the product is fully assembled before plugging it into an electrical outlet.

OPERATION

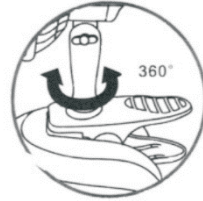
- 1) The fan can be clipped to flat boards(Fig3),or Insert the fan body to base,Place the fan on a level and dry surface ,keeping in mind the safety precautions outlined.
 - 2) Plug the fan in to a suitable AC 220-240V~50Hz mains socket.
 - 3) Select the desired speed setting by rotate the Speed Control button. There are 3 settings – 0 (off), 1 (low), 2 (high).
 - 4) The fan can be adjusted through 45 degrees vertically (see fig 4)
 - 5) The fan can be adjusted through 360 degrees on its central pillar (see fig 5)
- Caution: The fan should always be switched off when making this adjustment.
- 6) Turn the fan OFF and unplug it from the mains outlet after use.



(Fig. 3)



(Fig. 4)



(Fig. 5)

Technical Specifications

Power Supply: AC 220-240V ~ 50Hz

Power Consumption: 15W

Operation Temperature: 5 - 40°C

NOTE: As a result of continual improvements, the design and specifications of the product within may differ slightly to the unit illustrated on the packaging.

Care and Cleaning

- Always disconnect the fan from mains socket before cleaning.
- Avoid contact with moving fan parts.
- Use only a soft damp cloth to clean the fan.
- Do not immerse the fan in water and never allow water to drip into the motor housing.
- Never spray the appliance with liquids or submerge it in water or other liquid.
- Do not use gasoline, paint thinner or other chemicals to clean the fan.
- Ensure that the fan is switched off from the mains outlet before removing.
- Clean the fan blade and grille with a soft damp cloth.
- Store the fan in its original box or cover the fan to protect it from dust in a dry place if it will not be used for a long period of time.

DISPOSAL

Do not dispose of packaging or the product through your household waste!

The product and packaging are made from recyclable materials (plastics, metals, paper).

If the product is no longer suitable for use dispose of it in an environmentally friendly manner in accordance with your local council.

WARRANTY CONDITIONS FOR PURCHASE IN AUSTRALIA & NEW ZEALAND

Thank you for purchasing one of our quality Click products. Please keep your receipt as proof of purchase, as this will authenticate your warranty. Any claim under this warranty must be made within 1 year of the date of purchase of the product. To make a claim under the warranty, take the product (with proof of purchase) to any Bunnings store(see www.bunnings.com.au for store locations).

Bunnings Group Ltd bears reasonable, direct expenses of claiming under the warranty. You may submit details and proof for consideration. The warranty covers manufacturer defects in materials, workmanship and finish under normal use. This warranty is provided in addition to other rights and remedies you may have under law: our goods come with guarantees which cannot be excluded under the Australian Consumer Law or the Consumer Guarantees Act(NZ). You are entitled to replacement or refund for a major failure and to compensation for other reasonably foreseeable loss or damage. You are also entitled to have the goods repaired or replaced if the goods fail to be of acceptable quality and the failure does not amount to a major failure. The warranty excludes damage resulting from product misuse or product neglect. The warranty covers domestic use only and does not apply to commercial applications. neglect. The warranty covers domestic use only and does not apply to commercial applications.

This warranty is given by Bunnings Group Limited.

ABN 26 008 672 179, Botanicca 3, Level 2 East Tower 570 Swan Street, Burnley, VIC 3121,

e-mail: CustomerSupport@bunnings.com.au, PH: 1800 797 586.

Bunnings NZ Limited: PO Box 14436, Panmure Auckland 1741,

email: OnlineEnquiries@bunnings.co.nz PH: 1800 797 586

