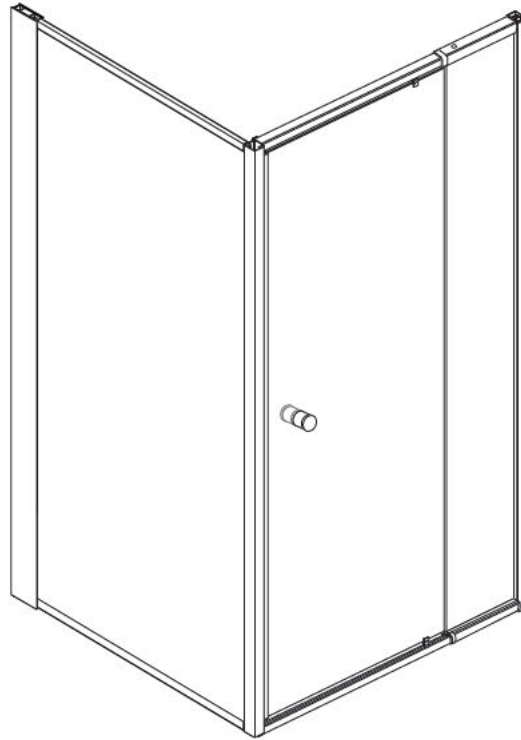


## SHOWER SCREEN INSTALLATION INSTRUCTIONS



External Dimensions: 1830mm H x 830-900mm W x 855-880mm D



Please read the following guidelines carefully prior to attempting installation.

**ANY DAMAGE—INCLUDING SHATTERING—CAUSED BY TRANSPORT, HANDLING, STORAGE OR INSTALLATION IS NOT COVERED BY WARRANTY.**

This product is made of tempered glass which requires special handling. We recommend professional tradesperson with experience in handling glass.

### Protective Equipment

It is recommended to wear eye protection, gloves, steel-capped footwear and full length clothing when handling and installing glass. Ensure the gloves provide adequate grip to prevent slippage.

### Storage

Do not stand or lay the glass on hard surfaces. Use a thick blanket or similar to protect the glass. Some glass panels may come with rubber corner guards. It is recommended to keep these on the glass until installation is completed.

### Temperature

Tempered glass ideally needs to be at room temperature to minimise the possibility of shattering. Store the glass indoors at least 24 hours before planned installation.

### Handling

It is important to be mindful of the edges of the glass. Over time, due to the glass expanding and contracting, small chips could result in the entire panel shattering. Do not torque the panel in any way (e.g. lifting up one corner when the panel is laying flat). Do not stand or tilt the panel with all of the weight resting on one corner. The glass panels are heavy and assistance from another person is recommended. Heavy duty suction cups can also be used to assist in lifting and moving the glass.

# GENERAL INFORMATION

Please inspect all parts and components immediately upon receipt for transit damage, missing parts or manufacturing defects. Warranty claims will not be accepted after installation. Please handle the product with care avoiding knocks and shock loading to all sides and edges of the glass.

**NOTE: SAFETY GLASS CANNOT BE REWORKED.**

Please read these instructions carefully before beginning installation.  
Special care should be taken when drilling walls to avoid hidden pipes or electrical cables.  
Note: This product is heavy and may require two people to install.

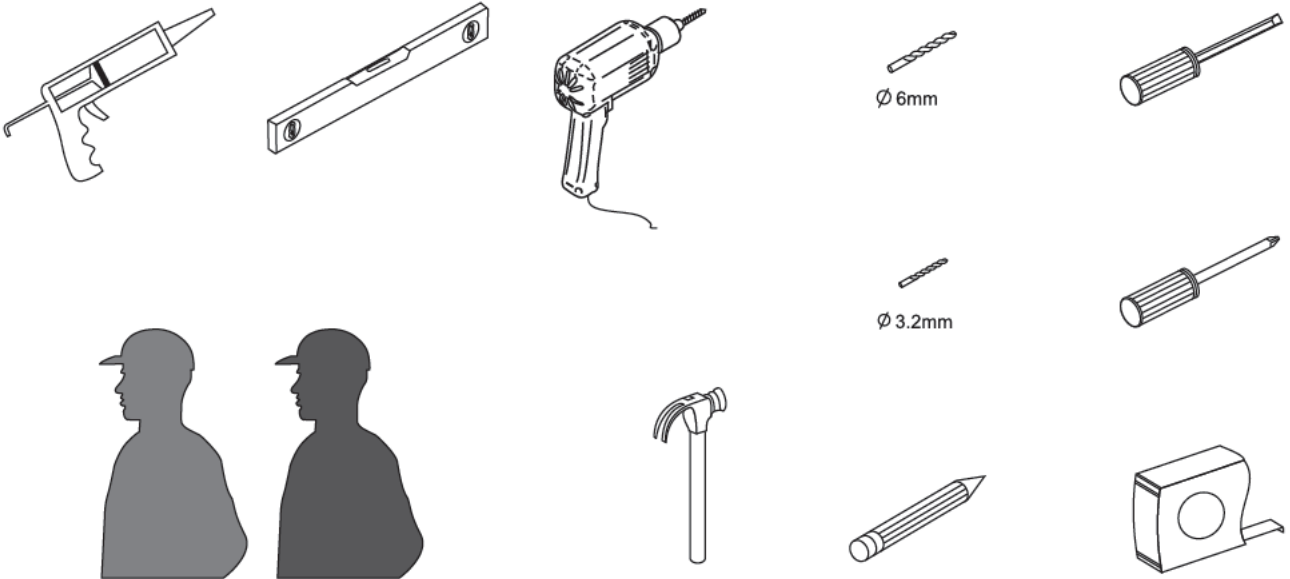
## CARE AND MAINTENANCE

After showering, clean the glass with warm soapy water and a soft cloth. This is particularly important in areas with hard water where insoluble lime salts or other minerals may be deposited and allowed to build up.  
Do not use abrasive cleaners or harsh chemicals such as organic solvents and strippers.  
Glass cleaners can be used, but with caution. If in doubt, contact the manufacturer of the glass cleaner.

Please retain these instructions for future reference.

---







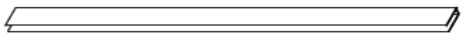




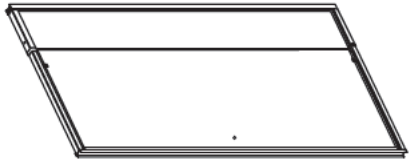


## Recommended Tools



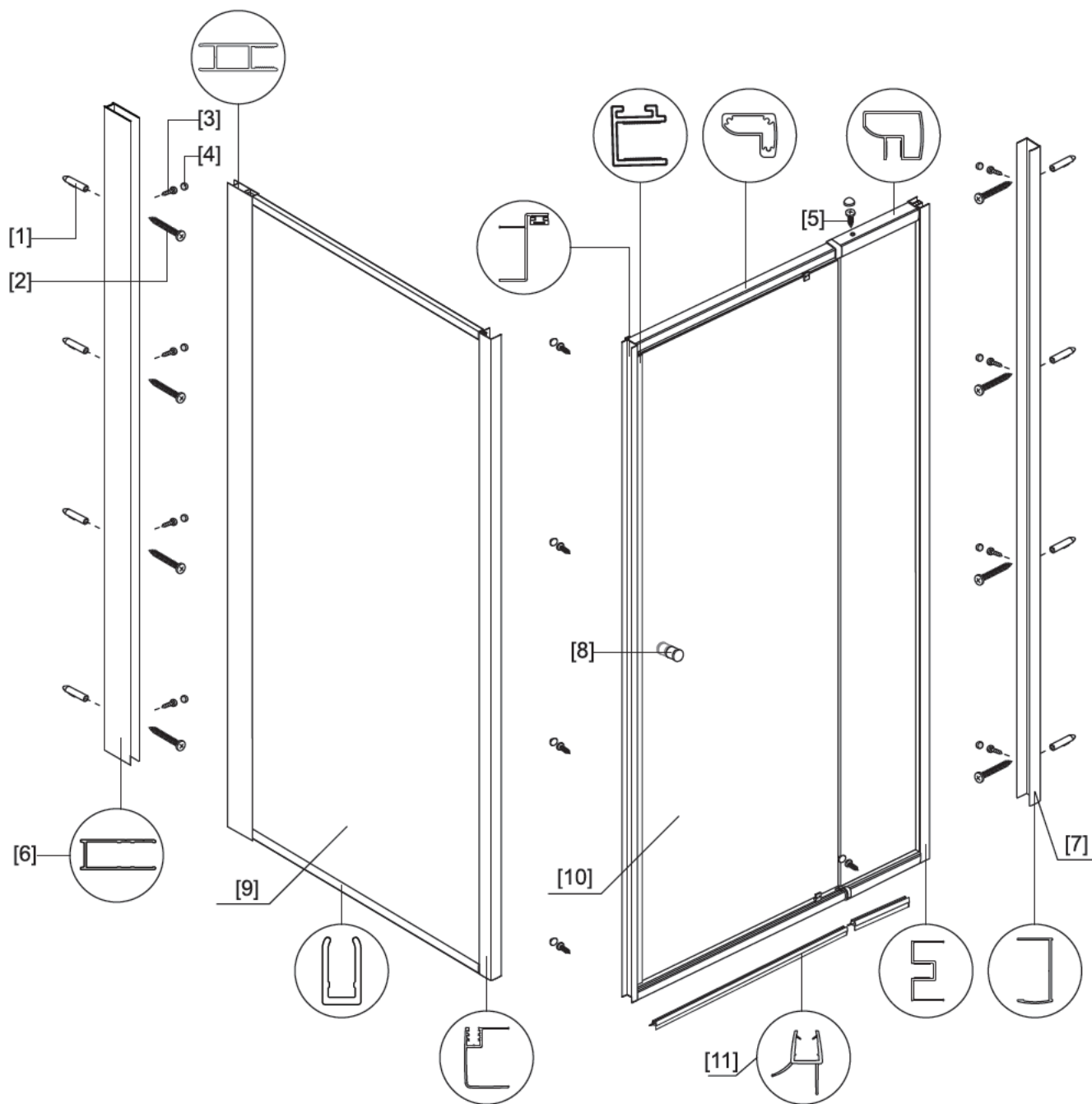
**This product is heavy and may require two people to install.**



# BOX CONTENTS

1 x Installation Instructions	➔		
[1] 8 x Wall Plugs [2] 8 x Screws M4x35	➔		
[3] 12 x Screws M4x8	➔		
[4] 14 x Screw Cover Caps	➔		
[5] 2 x Screws M4x12	➔		
[6] 1 x Wall Profile A	➔		
[7] 1 x Wall Profile B	➔		
[8] 1 x Handle Set	➔		
[9] 1 x Side Panel	➔		
[10] 1 x Door Panel + Fixed Panel	➔		
[11] 2 x Water Deflectors	➔		

# ASSEMBLY DIAGRAM

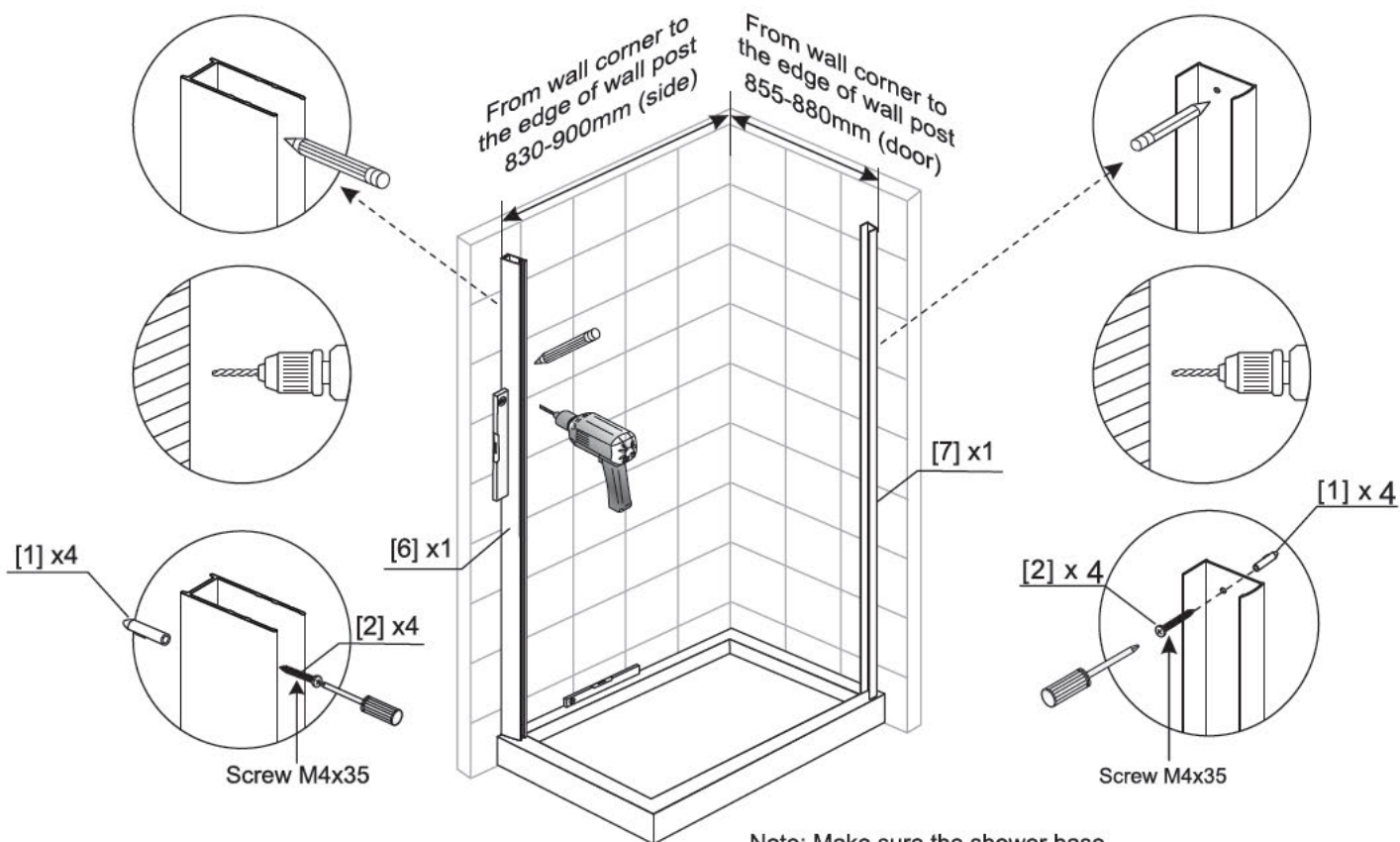


- [1] 8 x Wall Plugs
- [2] 8 x Screws M4x35
- [3] 12 x Screws M4x8
- [4] 14 x Screw Cover Caps
- [5] 2 x Screws M4x12
- [6] 1 x Wall Profile A

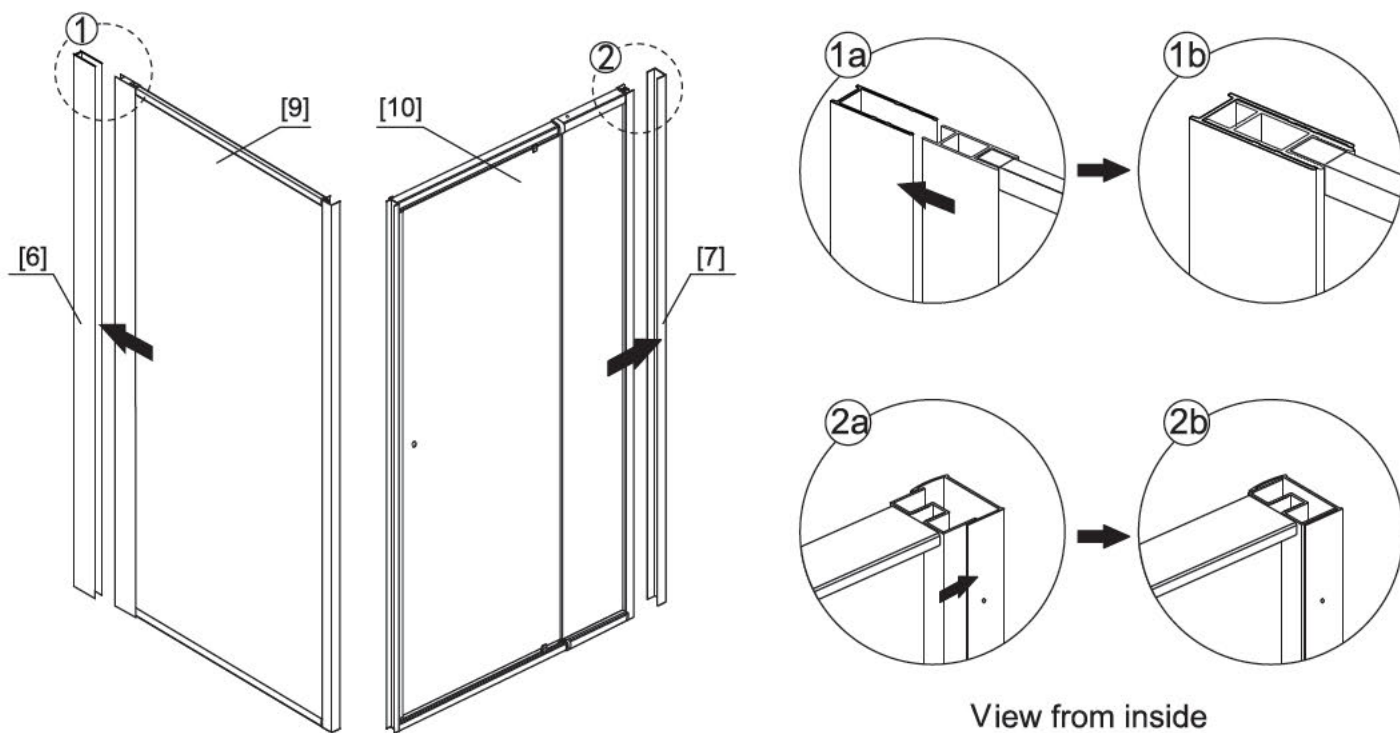
- [7] 1 x Wall Profile B
- [8] 1 x Handle Set
- [9] 1 x Side Panel
- [10] 1 x Door Panel + Fixed Panel
- [11] 2 x Water Deflectors

# INSTALLATION STEPS

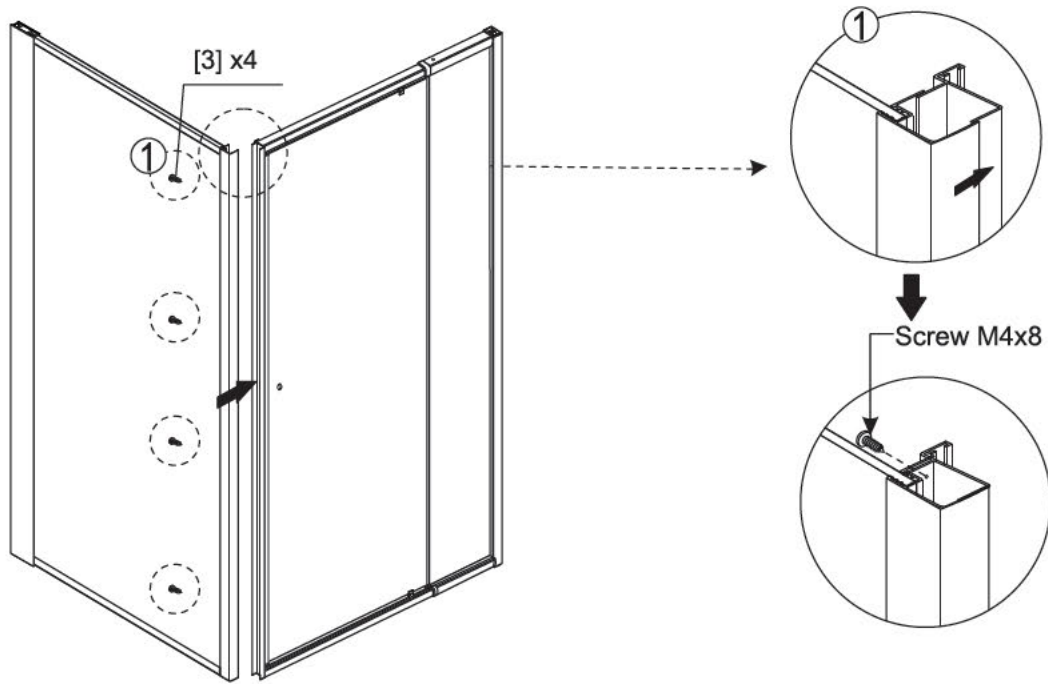
## Step 1



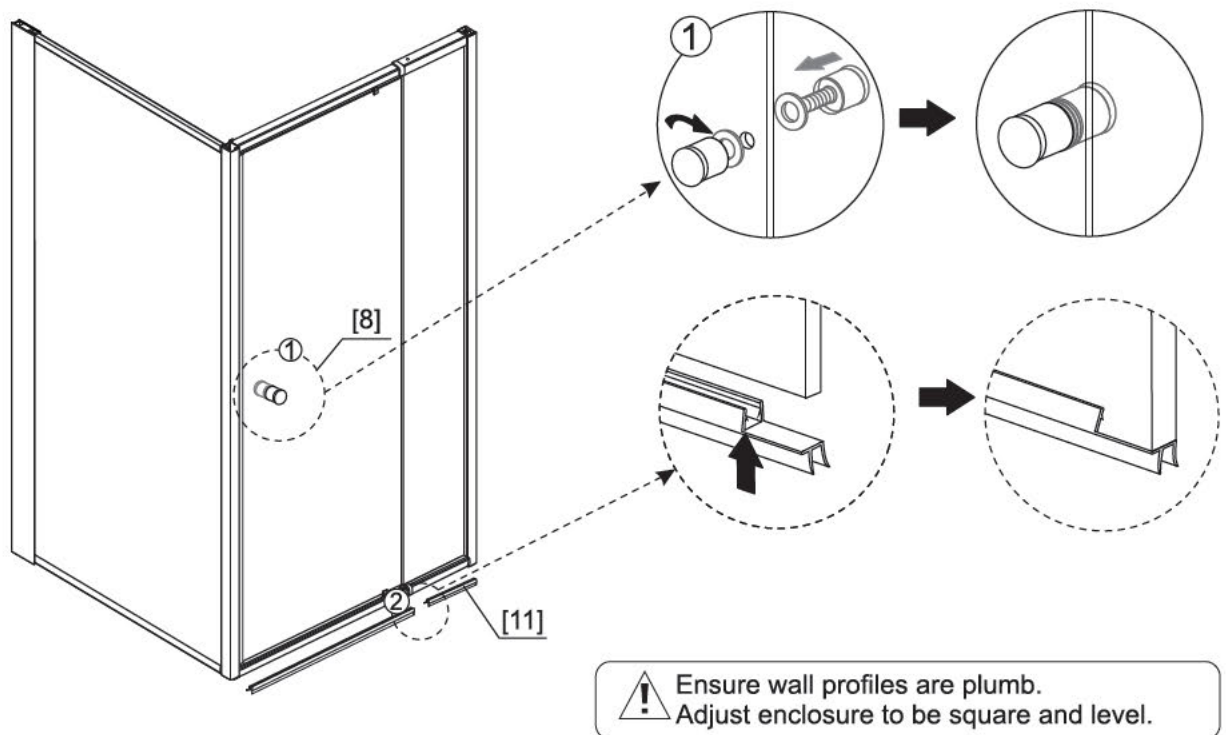
## Step 2



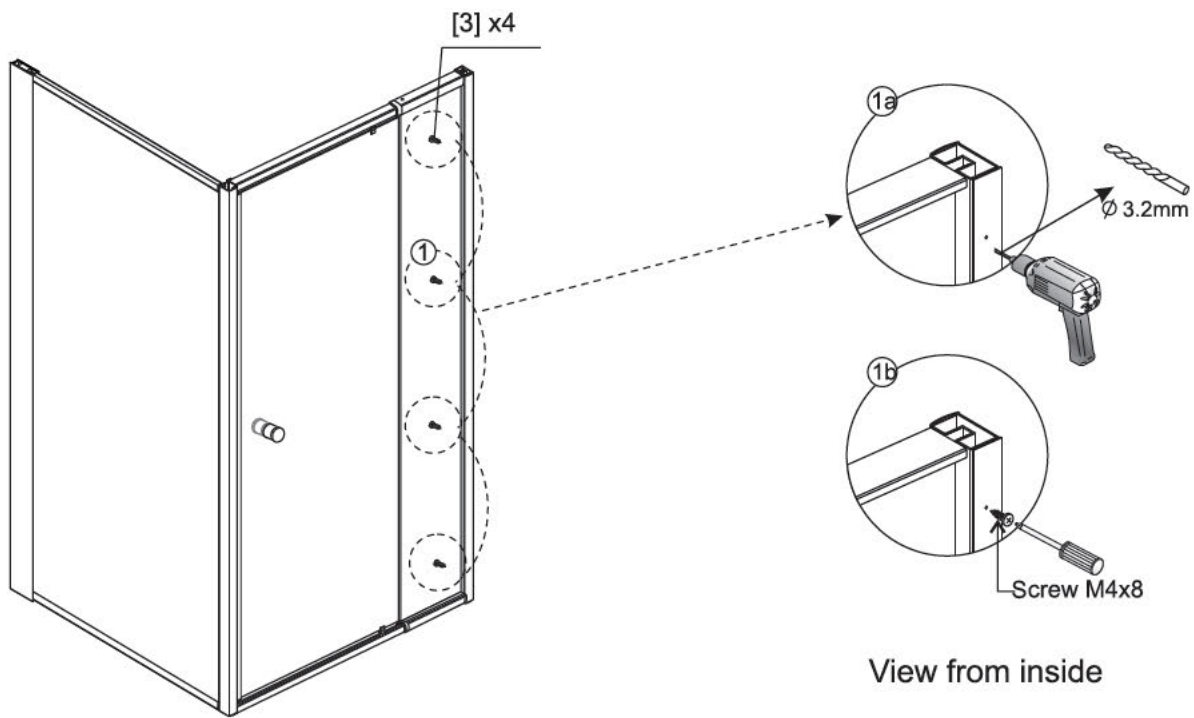
### Step 3



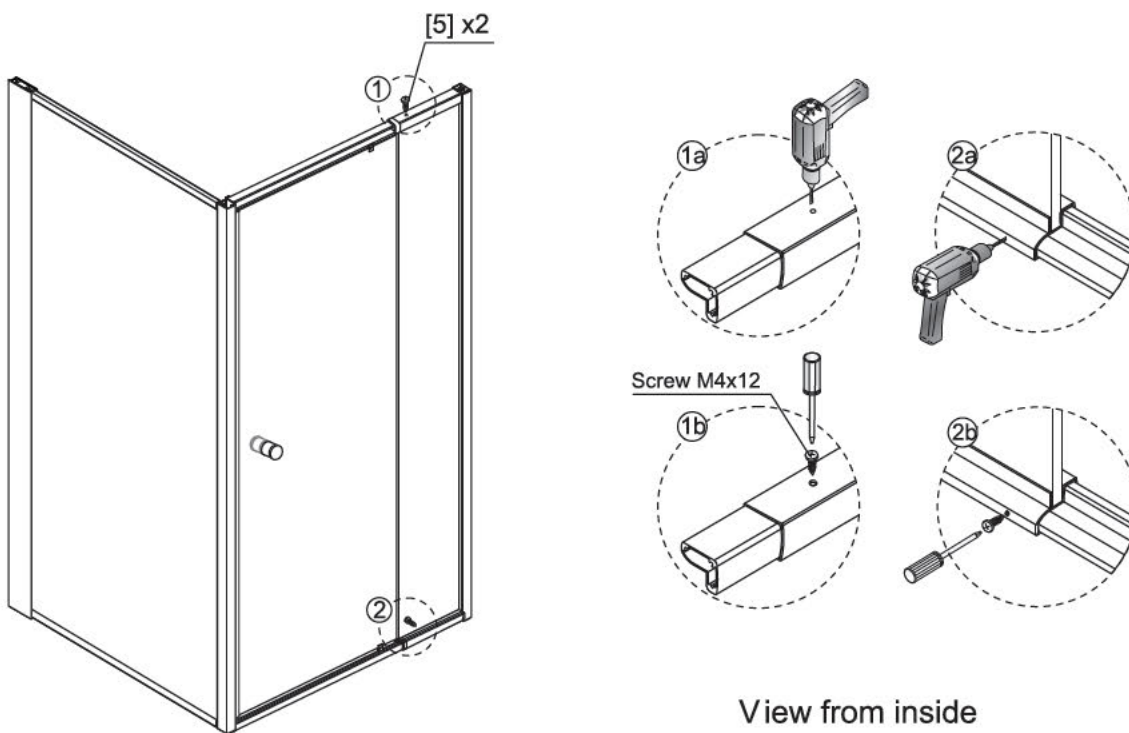
### Step 4



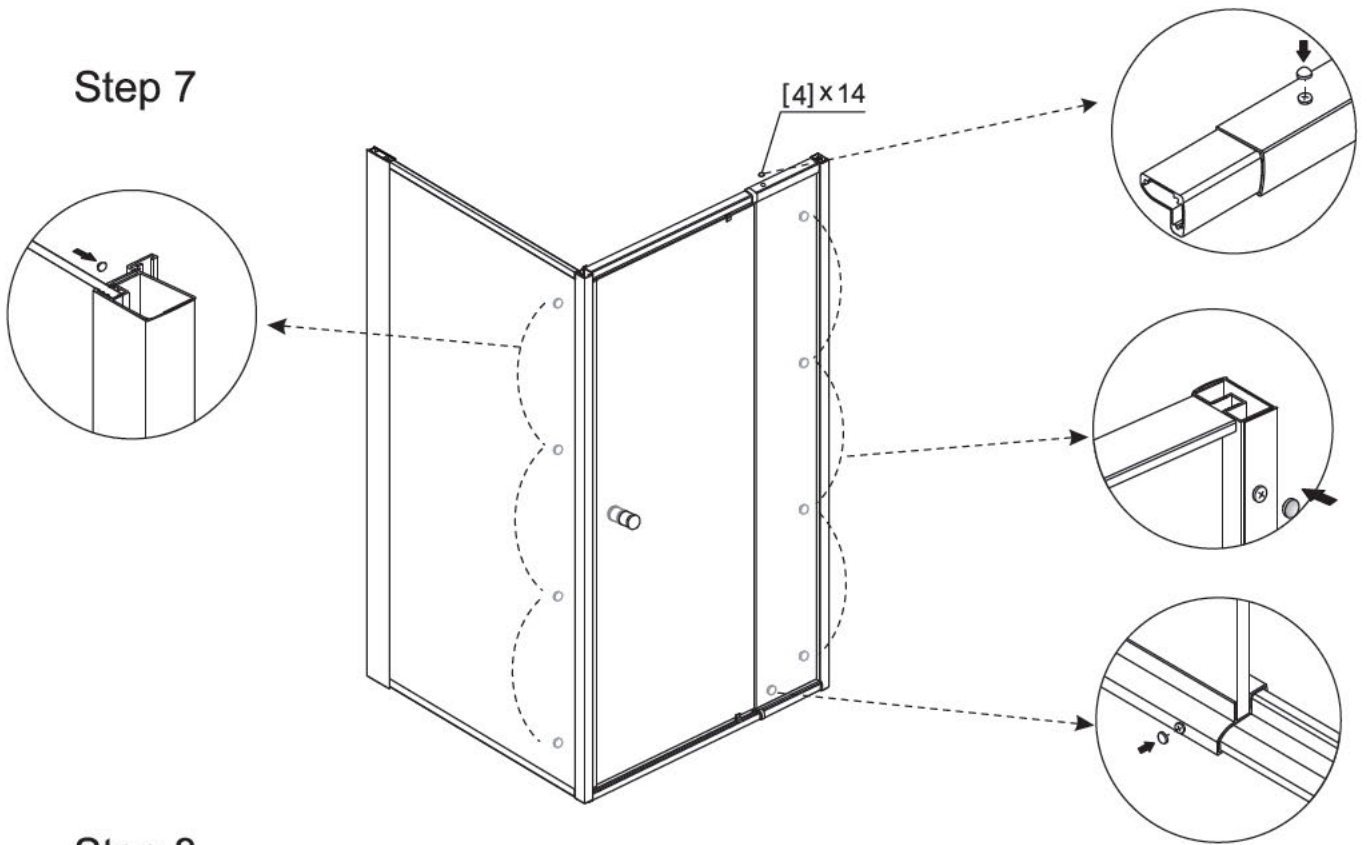
## Step 5



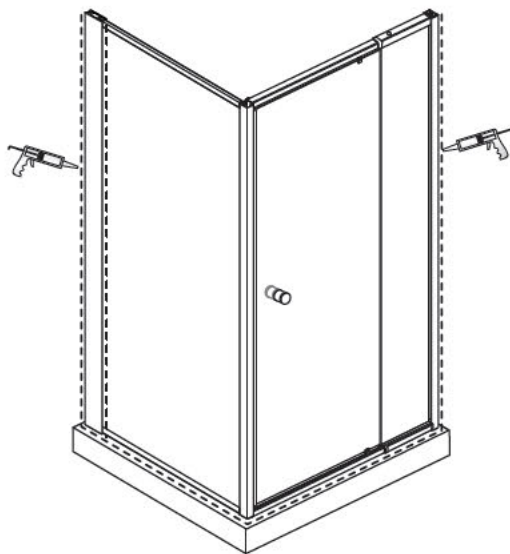
## Step 6



### Step 7



### Step 8



Allow 24 hours for silicone to dry before use.

For reversible purpose

