



MIMOSA®

Cordoba Charcoal Bar Table
Installation Guide

The first part of the document discusses the importance of maintaining accurate records of all transactions. It emphasizes that every entry, no matter how small, should be recorded to ensure the integrity of the financial data. This includes not only sales and purchases but also expenses, income, and any other financial activities.

The second part of the document provides a detailed overview of the accounting cycle. It outlines the ten steps involved in the process, from identifying the accounting entity to preparing financial statements. Each step is explained in detail, with examples provided to illustrate the concepts.

The third part of the document focuses on the classification of accounts. It discusses the different types of accounts, such as assets, liabilities, equity, and income, and how they are used to record and summarize financial transactions. It also explains the importance of debits and credits in maintaining the balance of the accounts.

The fourth part of the document covers the process of journalizing and posting. It describes how transactions are recorded in the journal and then posted to the ledger. It also discusses the importance of double-entry bookkeeping and how it helps to ensure the accuracy of the financial records.

The fifth part of the document discusses the preparation of financial statements. It explains how the data from the ledger is used to create the balance sheet, income statement, and statement of cash flows. It also discusses the importance of these statements in providing a clear picture of the company's financial performance.

The sixth part of the document covers the process of closing the books. It explains how the temporary accounts are closed to the permanent accounts at the end of the accounting period. It also discusses the importance of this process in preparing for the next period.

The seventh part of the document discusses the importance of internal controls. It explains how these controls help to prevent errors and fraud, and how they are used to ensure the accuracy and reliability of the financial data.

The eighth part of the document covers the process of auditing. It explains how an auditor reviews the financial records to ensure that they are accurate and comply with the relevant laws and regulations. It also discusses the importance of this process in providing confidence to investors and other stakeholders.

The ninth part of the document discusses the role of the accountant. It explains how accountants are responsible for recording and summarizing financial transactions, and how they use their expertise to provide valuable insights into the company's financial performance.

The tenth part of the document covers the future of accounting. It discusses the impact of technology on the profession, and how accountants are adapting to the changing landscape. It also discusses the importance of continuing education and staying up-to-date on the latest developments in the field.

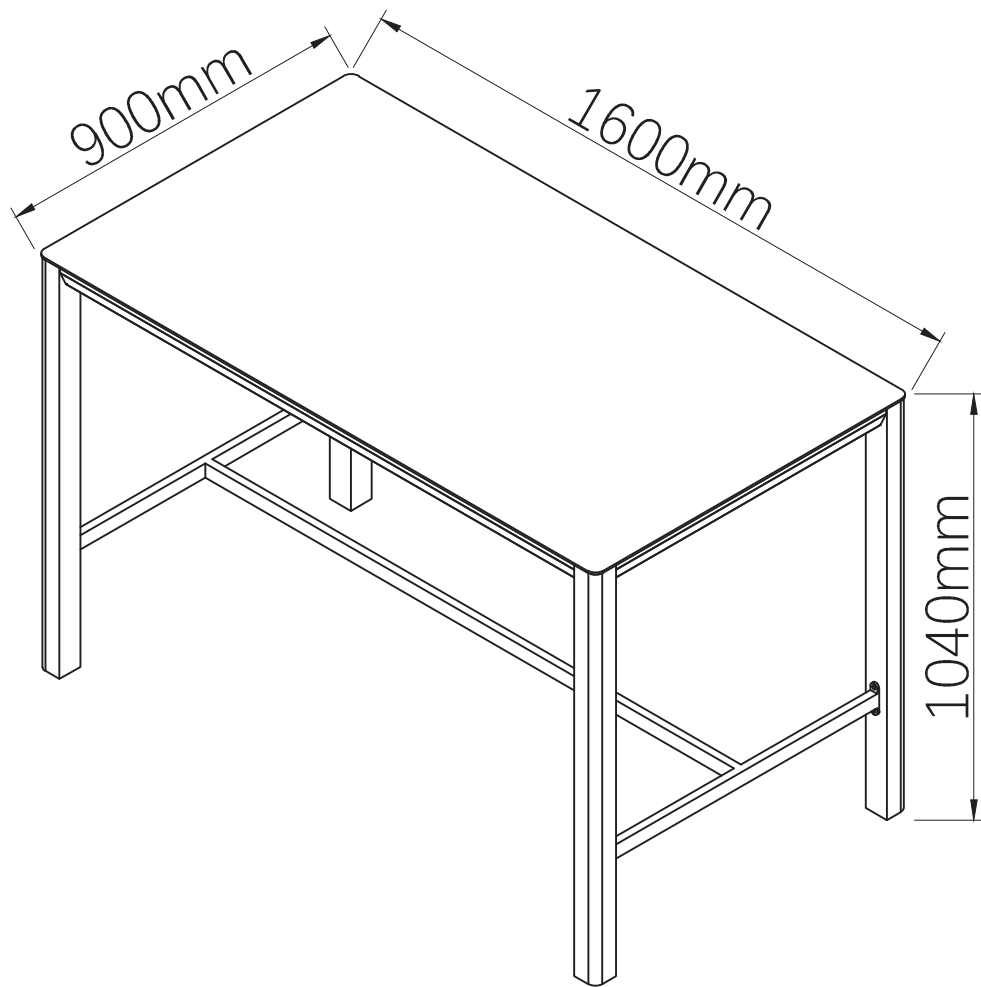
Cordoba Charcoal Bar Table

POWDER COATED ALUMINIUM FRAME

5mm Stone Look Tempered Glass Table Top

ITEM NO. : 0583690

4.





**Please carefully read the below warnings and instructions.
Save the instructions for future reference.**

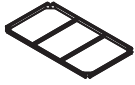
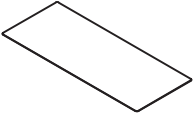
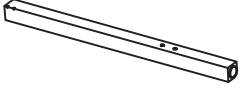
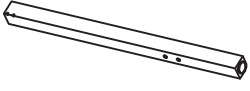

- Please carefully read all instructions before assembly and use.
- Please separate and identify all parts, ensuring that you have all parts listed.
- Assembly to be carried out by a competent adult.
- During assembly children should be kept away from the product due to possible risk of injury, small parts, and sharp fittings.
- Do NOT use power tools to assemble the product.
- Don't tight all the bolts before the product is fully assembled. Be careful not to over tighten the nuts during assembly.
- Please check the fixings are all tight monthly.

Recommendation










- It would be useful to ask someone to help you assemble the product.
- Retain these instructions for future reference.
- This product is not suitable for extreme weather conditions. Do NOT use in extreme weather condition such as thunderstorm, hailstone, heavy rain, high wind or heavy snow, etc. Warranty claims due to weather events won't be taken into account.
- This piece of furniture has been produced under the best possible conditions and care. However we advise you during constructing or breaking down of this piece of furniture to be aware of sharp metal.
- This product is designed for occasional use only. Do not use as a permanent structure. If no use for long time, dismantle and store safely to prevent any damage occurring.
- If the glass is chipped or broken, stop using the product and consult the manufacturer or supplier.
- Do not place very hot or very cold items on the glass surface(s) unless adequately thick table mats are used to prevent such items from coming into contact with the glass.
- Do not use the glass as a chopping surface. Do not strike the glass with hard or pointed items.
- When cleaning glass panels use a damp cloth or leather with washing up liquid or soft soap if necessary; donot use washing powders or any other substances containing abrasives since these substances scratch glass.
- When using a plastic cover on your furniture, you will need to put an extra cotton medium between this cover and the glass surface. Direct contact between some plastics and the surface of the glass may lead to permanent damage of the table under moist and hot conditions.
- Do not sit or stand upon the glass surface(s).

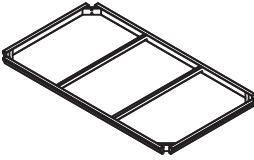

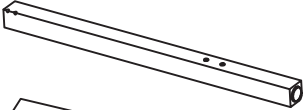

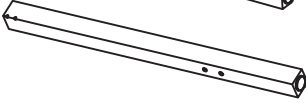



6.

Parts List:

Part No.	Pictures	Description	QTY
A		Table-rack	1
B		Glass table top	1
C1		Table leg	2
C2		Table leg	2
D		Leg support tube	1

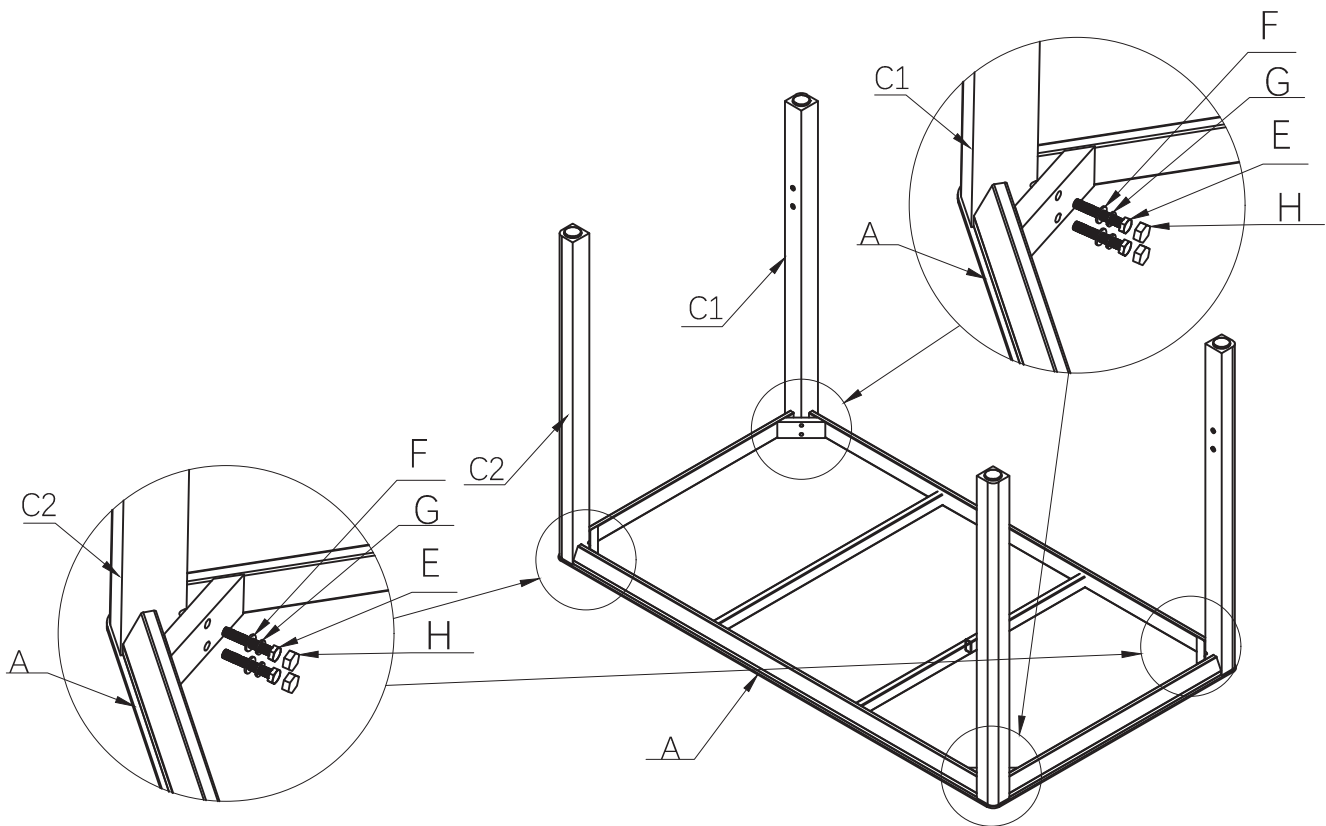
Hardware Kit:

Part No.	Pictures	Description	QTY
E		Bolt M8 x 50 mm	8
F		Washer ø24x8.4x2mm	8
G		Spring washer	8
H		Cap	8
L		Spanner	1
I		Bolt M6 x 20 mm	8
J		Washer ø13x6.5x1mm	8
K		Cap	8
M		Allen Key	1

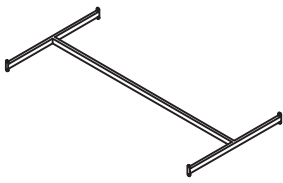












A		x1	E		x8
C1		x2	F		x8
C2		x2	G		x8
			H		x8
			L		x1

Step 1:

Put 4pcs table legs (C1&C2) on corner of the table-rack (A), then insert bolts (E), washers (F) and spring washers (G) to the holes after tightened by the spanner (L), then put plastic caps (H) on the bolts (E).

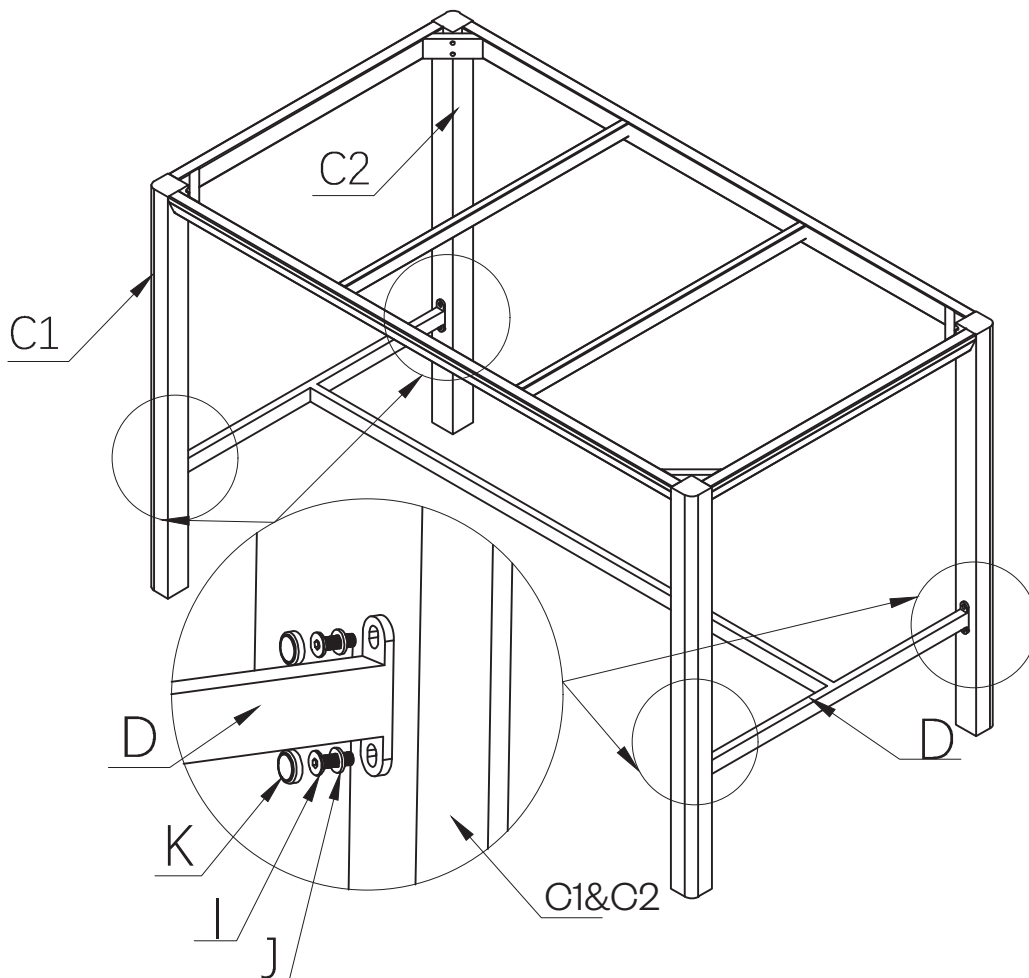


8.

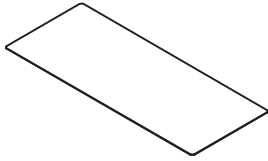
 <p>D</p> <p>x1</p>	<table><tr><td>I</td><td></td><td>x8</td></tr><tr><td>J</td><td></td><td>x8</td></tr><tr><td>K</td><td></td><td>x8</td></tr><tr><td>M</td><td></td><td>x1</td></tr></table>	I		x8	J		x8	K		x8	M		x1
I		x8											
J		x8											
K		x8											
M		x1											

Step 1:

Put leg support tube (D) on the table legs (C1&C2), then insert bolts (I) and washers (J) to the holes, after tightened by the Allen key (M), then put plastic caps (K) on the bolts (I).



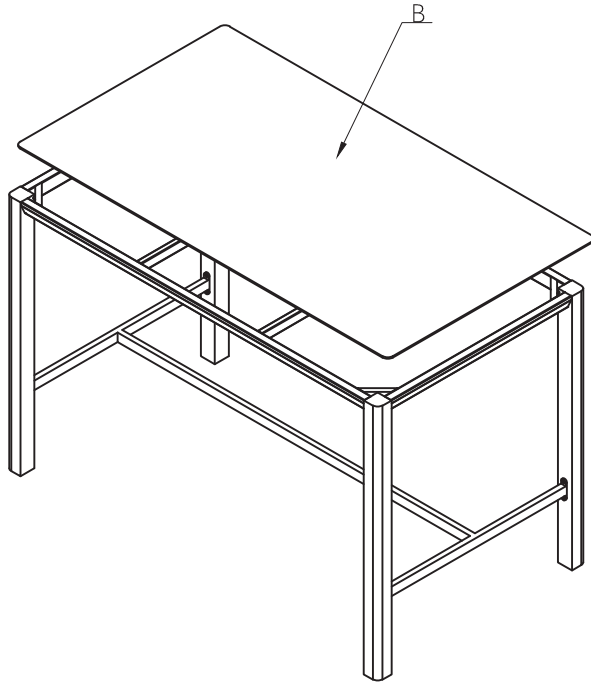
B



x1

Step 3:

Put the glass table top (B) on the table-rack (A).



Bar table is now ready for use.

