



HAND TROLLEY

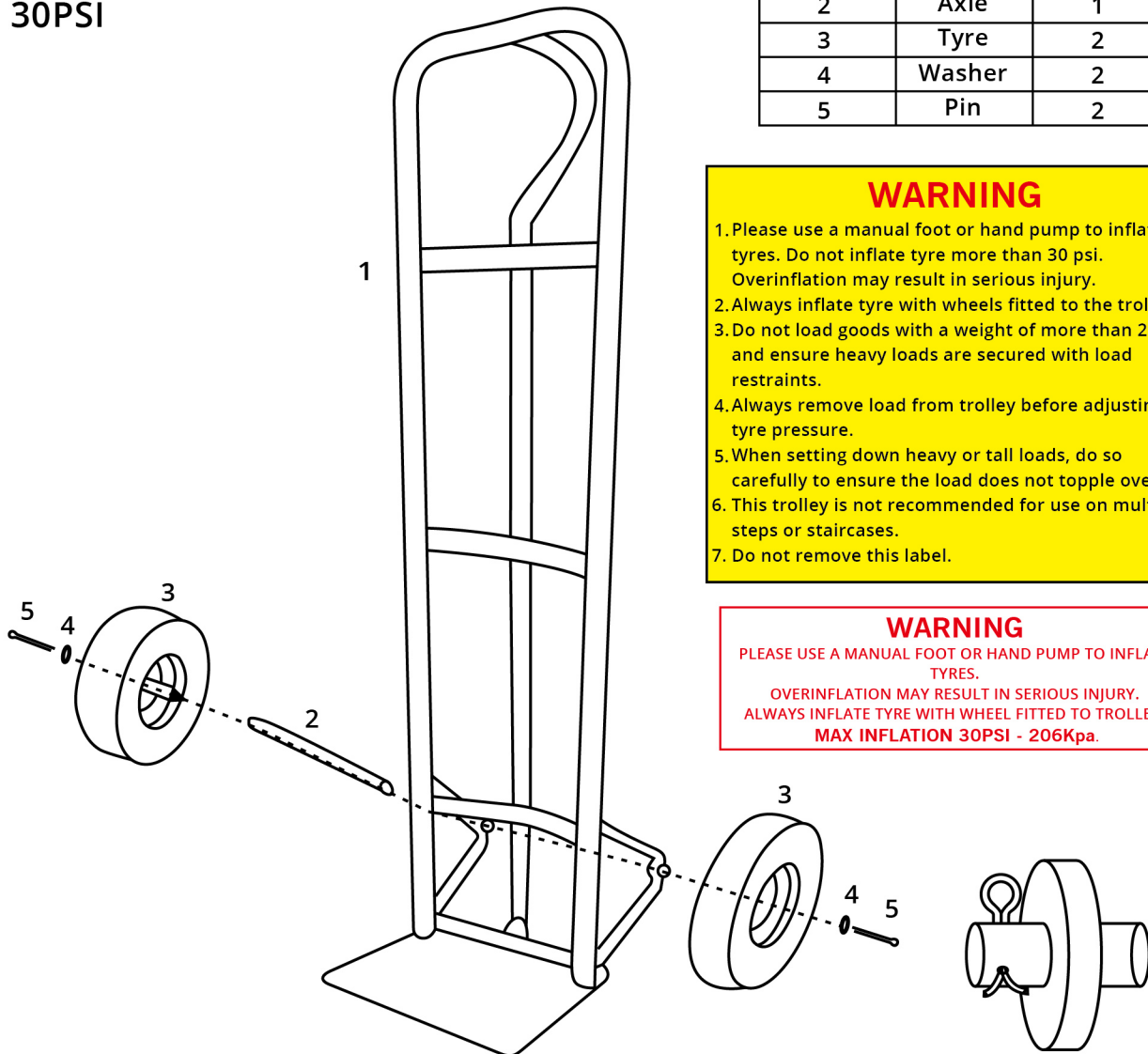
MAX.LOAD

CAPACITY: 250KGS

Safety when assembling:
Install wheels before inflating tyres
Use a manual foot or hand pump -
Do not over inflate tyres - Max
30PSI

Assembly Instructions Item No:0336004

No.	Part	Qty
1	Frame	1
2	Axle	1
3	Tyre	2
4	Washer	2
5	Pin	2



WARNING

1. Please use a manual foot or hand pump to inflate tyres. Do not inflate tyre more than 30 psi. Overinflation may result in serious injury.
2. Always inflate tyre with wheels fitted to the trolley.
3. Do not load goods with a weight of more than 250kg and ensure heavy loads are secured with load restraints.
4. Always remove load from trolley before adjusting tyre pressure.
5. When setting down heavy or tall loads, do so carefully to ensure the load does not topple over.
6. This trolley is not recommended for use on multiple steps or staircases.
7. Do not remove this label.

WARNING

PLEASE USE A MANUAL FOOT OR HAND PUMP TO INFLATE TYRES.
OVERINFLATION MAY RESULT IN SERIOUS INJURY.
ALWAYS INFLATE TYRE WITH WHEEL FITTED TO TROLLEY.
MAX INFLATION 30PSI - 206Kpa.