



MIMOSA®

Cordoba Charcoal Coffee Table
Installation Guide

The first part of the document discusses the importance of maintaining accurate records of all transactions. It emphasizes that every sale, purchase, and payment must be properly documented to ensure the integrity of the financial statements. This includes recording the date, amount, and purpose of each transaction, as well as the names of the parties involved.

Secondly, the document highlights the need for regular reconciliation of accounts. This process involves comparing the company's internal records with the bank statements to identify any discrepancies. Regular reconciliation helps to detect errors or fraud early on and ensures that the books are balanced at all times.

Thirdly, the document stresses the importance of maintaining proper documentation for tax purposes. This includes keeping receipts, invoices, and other supporting documents for all transactions. These documents are essential for preparing accurate tax returns and for defending the company in the event of an audit.

Finally, the document concludes by emphasizing the importance of transparency and accountability in financial reporting. It encourages the company to provide clear and concise information to its stakeholders and to adhere to all applicable laws and regulations. By following these guidelines, the company can ensure the reliability and accuracy of its financial statements.

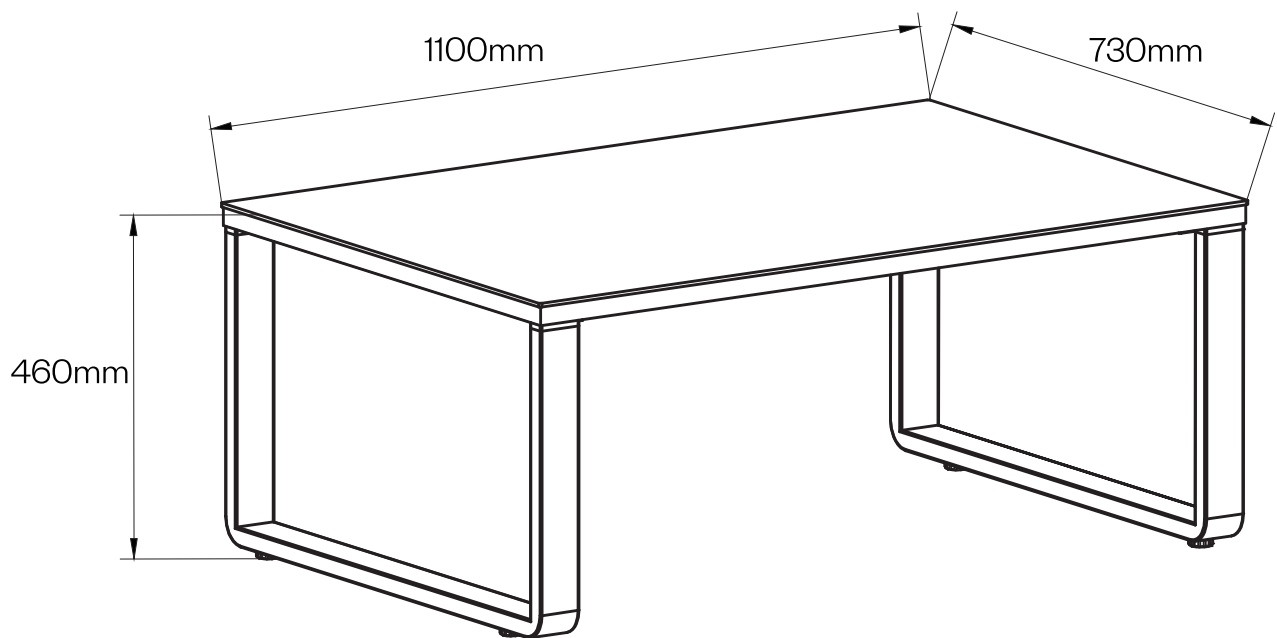
Cordoba Charcoal Coffee Table

POWDER COATED ALUMINIUM FRAME

5mm Stone Look Tempered Glass Table Top

ITEM NO. : 0583701

4.





**Please carefully read the below warnings and instructions.
Save the instructions for future reference.**

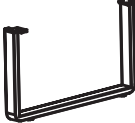


- Please carefully read all instructions before assembly and use.
- Please separate and identify all parts, ensuring that you have all parts listed.
- Assembly to be carried out by a competent adult.
- During assembly children should be kept away from the product due to possible risk of injury, small parts, and sharp fittings.
- Do NOT use power tools to assemble the product.
- Don't tight all the bolts before the product is fully assembled. Be careful not to over tighten the nuts during assembly.
- Please check the fixings are all tight monthly.

Recommendation

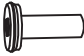

- It would be useful to ask someone to help you assemble the product.
- Retain these instructions for future reference.
- This product is not suitable for extreme weather conditions. Do NOT use in extreme weather condition such as thunderstorm, hailstone, heavy rain, high wind or heavy snow, etc. Warranty claims due to weather events won't be taken into account.
- This piece of furniture has been produced under the best possible conditions and care. However we advise you during constructing or breaking down of this piece of furniture to be aware of sharp metal.
- This product is designed for occasional use only. Do not use as a permanent structure. If no use for long time, dismantle and store safely to prevent any damage occurring.
- If the glass is chipped or broken, stop using the product and consult the manufacturer or supplier.
- Do not place very hot or very cold items on the glass surface(s) unless adequately thick table mats are used to prevent such items from coming into contact with the glass.
- Do not use the glass as a chopping surface. Do not strike the glass with hard or pointed items.
- When cleaning glass panels use a damp cloth or leather with washing up liquid or soft soap if necessary; donot use washing powders or any other substances containing abrasives since these substances scratch glass.
- When using a plastic cover on your furniture, you will need to put an extra cotton medium between this cover and the glass surface. Direct contact between some plastics and the surface of the glass may lead to permanent damage of the table under moist and hot conditions.
- Do not sit or stand upon the glass surface(s).

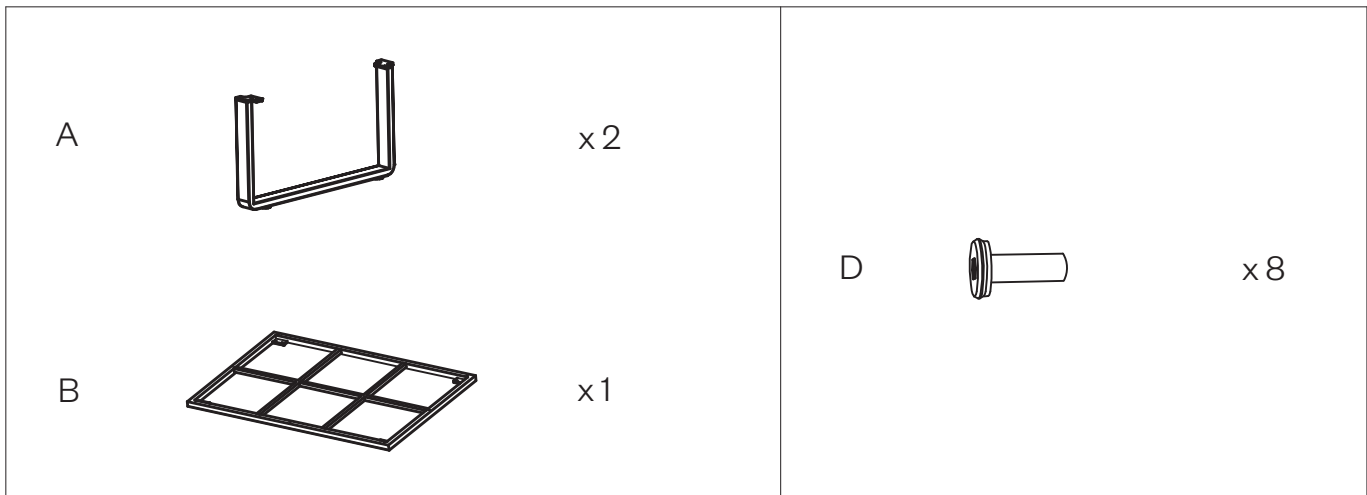
6.

Parts List:

Part No.	Pictures	Description	QTY
A		Table leg	2
B		Table-rack	1
C		Glass table top	1

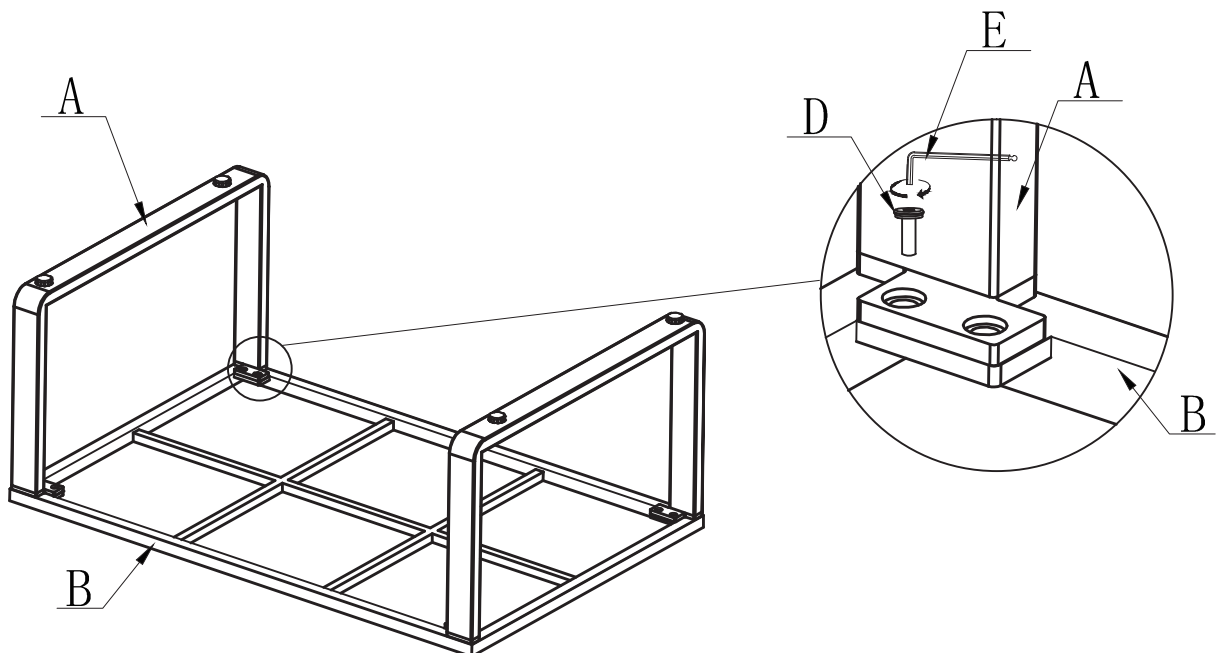
Hardware Kit:

Part No.	Pictures	Description	QTY
D		Bolt M6 x 15 mm	8
E		Allen Key	1

**Step 1:**

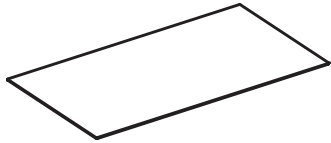
Fix the table legs (A) to the table-rack (B) with bolts (D).

Once all bolts are in position tighten securely using Allen Key (E).



8.

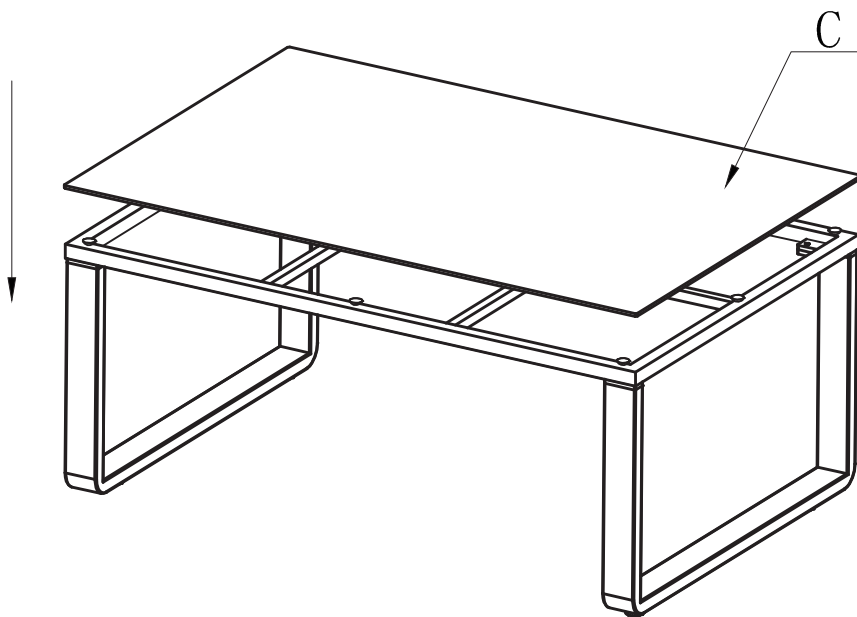
C



x1

Step 2:

Put the glass table top (C) on the table-rack (B).



Coffee table is now ready for use.

