

Mondella

ROCOCO
SQUARE FLAIR

ROCOCO

MATTE BLACK
WALL BASIN MIXER

35mm cartridge

Manufactured to Australian Standards
AS/NZS3718, WMKA21979 DR
ApprovalMark

Fitted with approved water saving devices.
WELS Lic No.1101

Item Number: 0134829
MON0768



AS/NZS3718
WMKA21979 DR
ApprovalMark

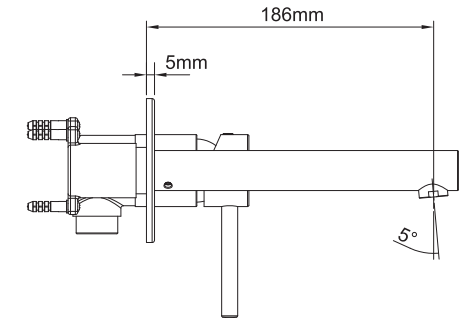
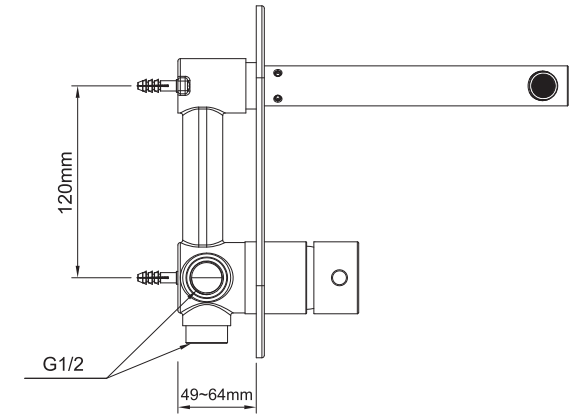
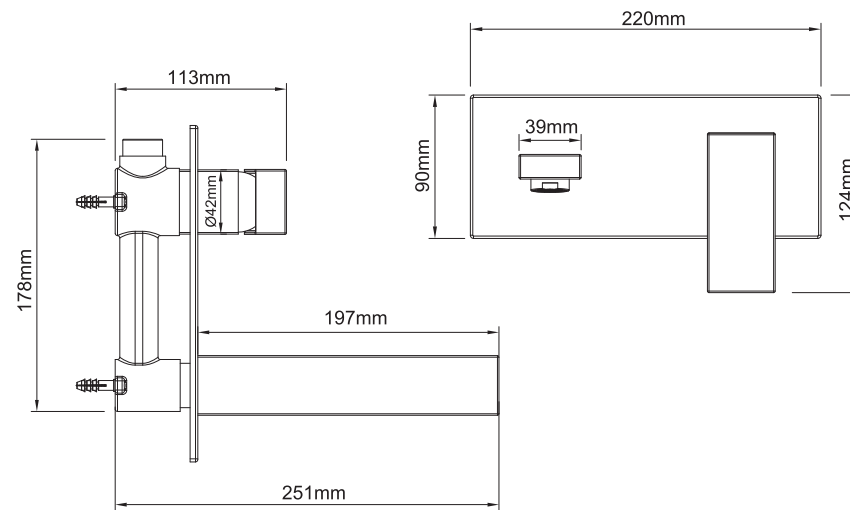


7.5 litres per minute

In accordance with AS/NZS 6400

Licence No. | 101
Kinetic Sourcing Group Ltd

10
YEAR
WARRANTY*



* refer to www.mondella.com.au for full warranty details

All dimensions in millimetres (mm) and subject to manufacturing tolerances.

MON0768-FLV1
28/07/20