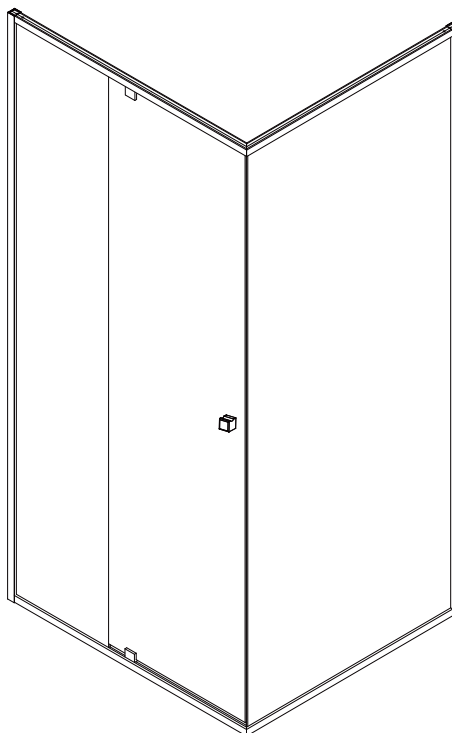


# Mondella

## SHOWER SCREEN INSTALLATION INSTRUCTIONS



External Dimensions: (860-875) x (860-875) x 1830mm  
(860-875) x (860-875) x 2000mm



**Please read the following guidelines carefully prior to attempting installation.**

This product is made of tempered glass which requires special handling. We recommend professional tradesman with experience in handling glass. Mishandling of the glass causing shattering or other damage is not covered by warranty.

**Protective Equipment**

It is recommended to wear safety glasses and gloves. Ensure the gloves provide adequate grip to prevent slippage.

**Storage**

Do not stand or lay the glass on hard surfaces. Use a thick blanket or similar to protect the glass. Some glass panels may come with rubber corner guards. It is recommended to keep these on the glass until installation is completed.

**Temperature**

Tempered glass ideally needs to be at room temperature to minimise the possibility of shattering. Store the glass in the house at least one day before planned installation.

**Handling**

It is important to be mindful of the edges of the glass. Over time, due to the glass expanding and contracting, small chips could result in the entire panel shattering. Do not torque the panel in any way (e.g. lifting up one corner when the panel is laying flat). Do not stand or tilt the panel with all the weight resting on one corner. The glass panels are heavy and assistance from another person is recommended. Heavy duty suction cups can also be used to assist in lifting and moving the glass.

# GENERAL INFORMATION

Please inspect all parts and components immediately upon receipt for transit damage, missing parts or manufacturing defects. Warranty claims will not be accepted after installation. Please handle the product with care avoiding knocks and shock loading to all sides and edges of the glass.

**NOTE: SAFETY GLASS CANNOT BE REWORKED.**

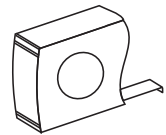
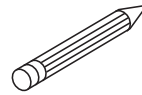
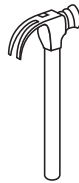
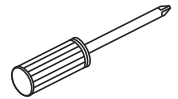
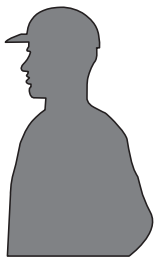
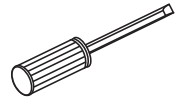
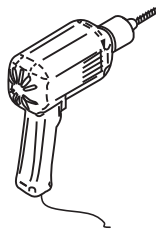
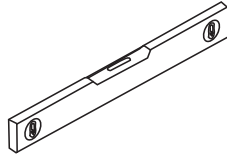
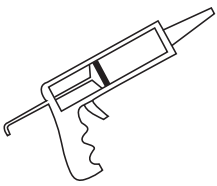
Please read these instructions carefully before beginning installation.  
Special care should be taken when drilling walls to avoid hidden pipes or electrical cables.  
Note: This product is heavy and may require two people to install.

## CARE AND MAINTENANCE

After showering, clean the glass with warm soapy water and a soft cloth. This is particularly important in areas with hard water where insoluble lime salts or other minerals may be deposited and allowed to build up.  
Do not use abrasive cleaners or harsh chemicals such as organic solvents and strippers.  
Glass cleaners can be used, but with caution. If in doubt, contact the manufacturer of the glass cleaner.

Please retain these instructions for future reference.

## Recommended Tools

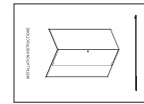


**This product is heavy and may require two people to install.**



# BOX CONTENTS

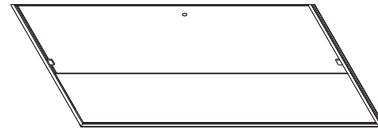
1 x Installation Instructions



[1] 2 x Wall Profiles



[2] 1 x Door Panel + Fixed Panel



[3] 1 x Side Panel



[4] 8 x Wall Plugs



[5] 8 x Screws St4x35



[6] 12 x Screws St4 x 10



[7] 12 x Screw Washers



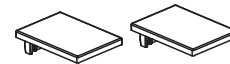
[8] 12 x Screw Cover Caps



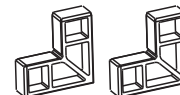
[9] 1 x Handle Set



[10] 2 x Profile Caps



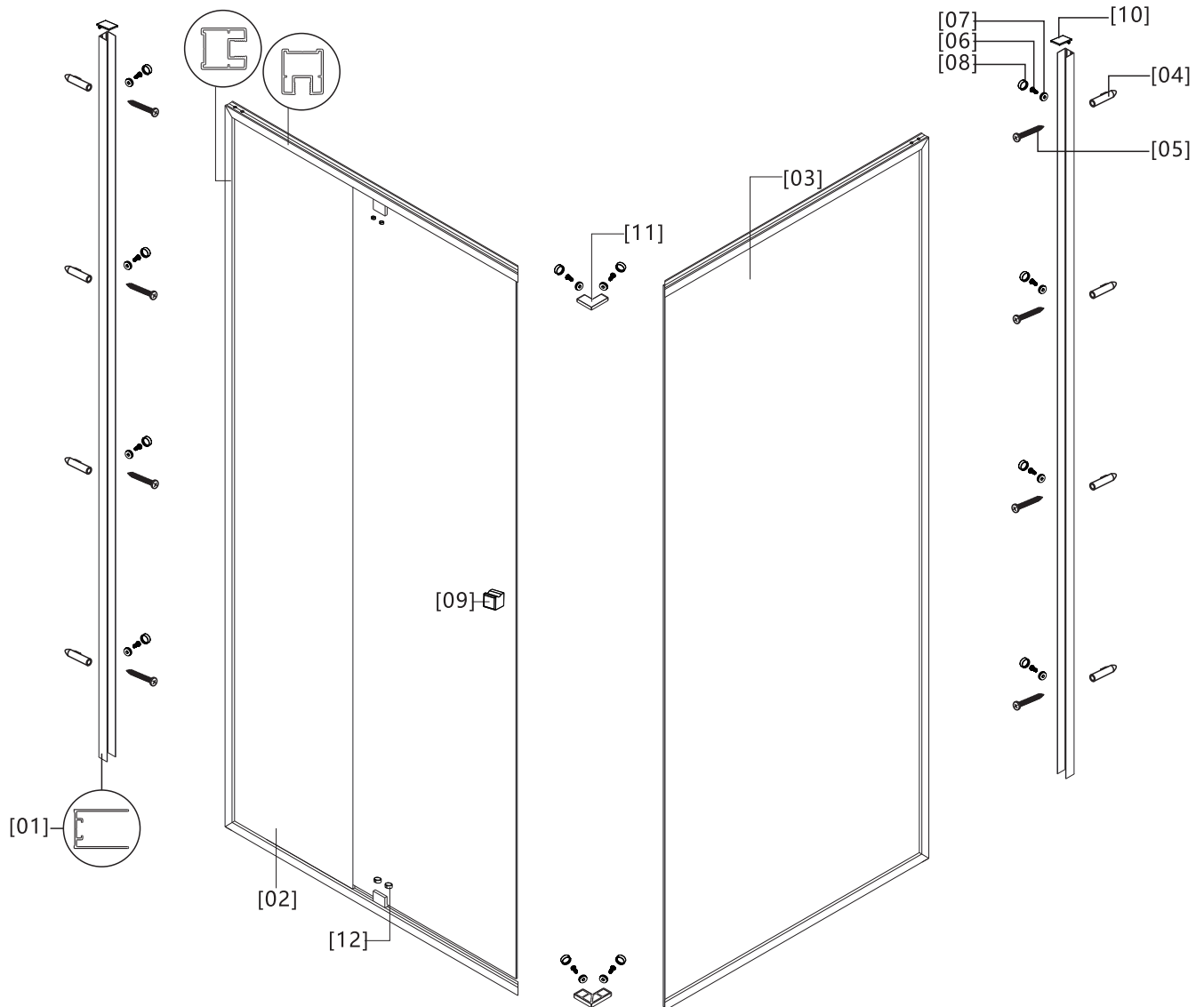
[11] 2 x Corner Connectors



[12] 4 x Caps



# ASSEMBLY DIAGRAM

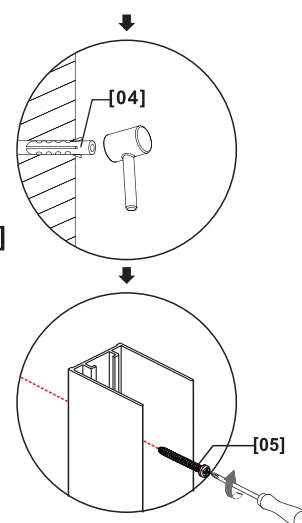
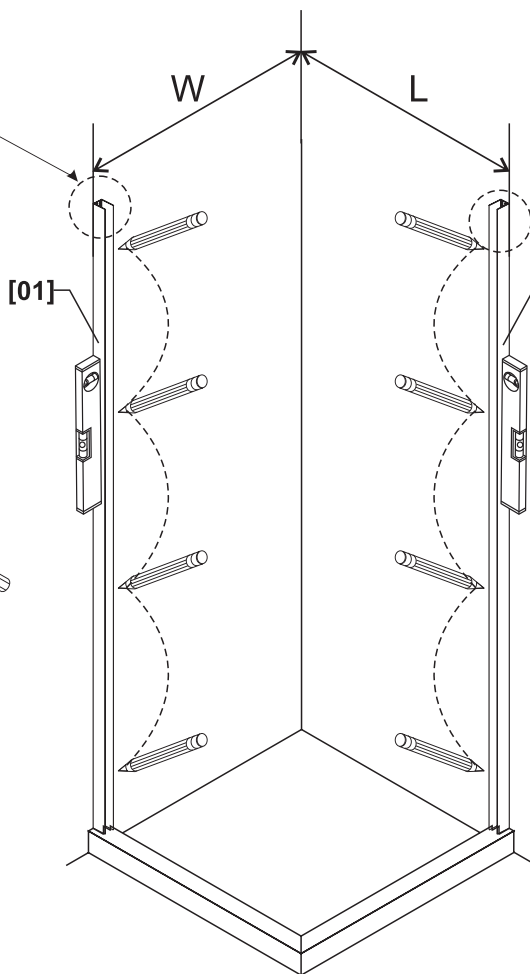
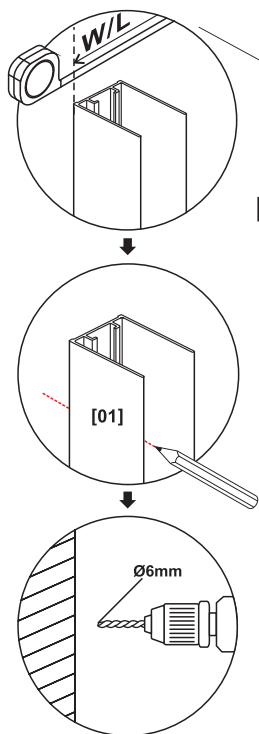
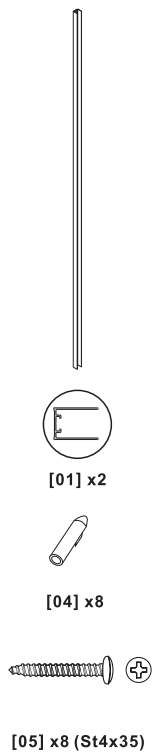


- [1] 2 x Wall Profiles
- [2] 1 x Door Panel + Fixed Panel
- [3] 1 x Side Panel
- [4] 8 x Wall Plugs
- [5] 8 x Screws St4x35
- [6] 12 x Screws St4 x 10

- [7] 12 x Screw Washers
- [8] 12 x Screw Cover Caps
- [9] 1 x Handle Set
- [10] 2 x Profile Caps
- [11] 2 x Corner Connectors
- [12] 4 x Caps

# INSTALLATION STEPS

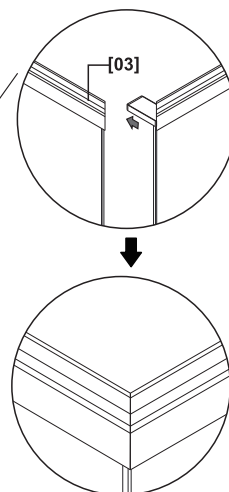
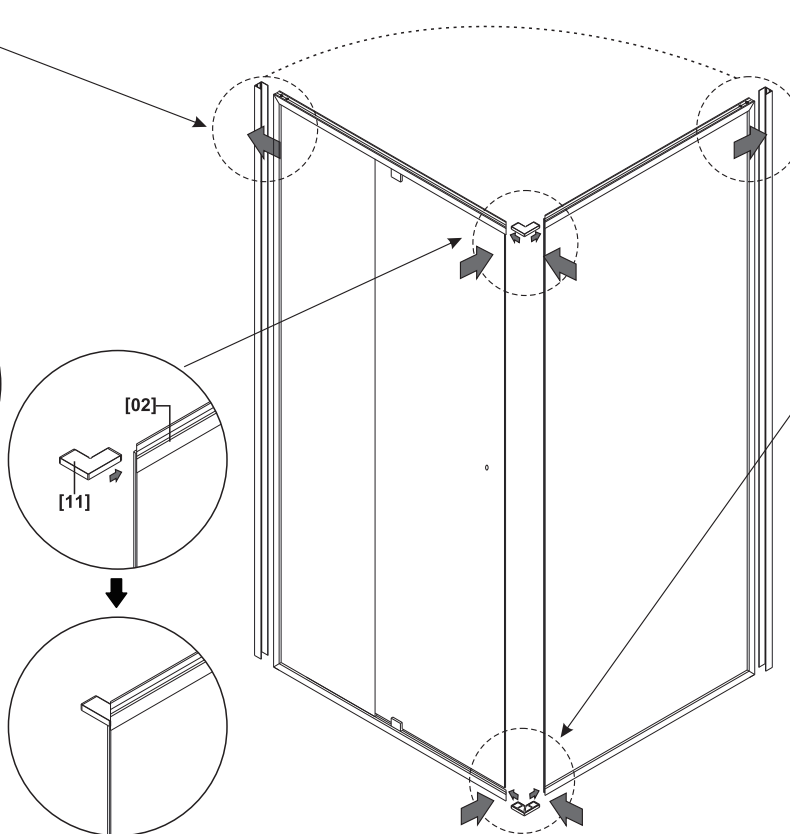
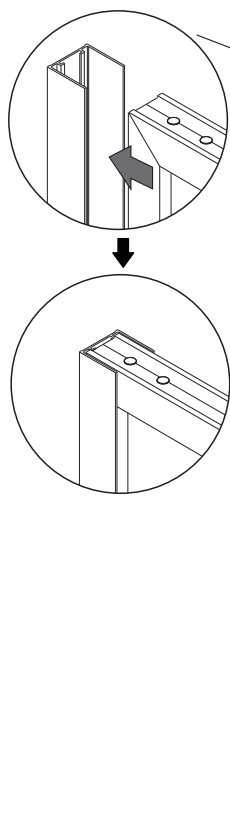
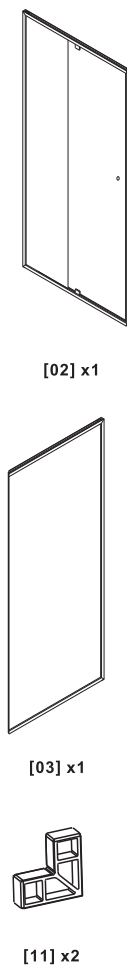
## Step 1



	L	W
1200x900	1160-1175mm	860-875mm
900x900	860-875mm	860-875mm

Note: Make sure the shower base is level before installation

## Step 2





### Step 3

[06] x4 (St4x10)



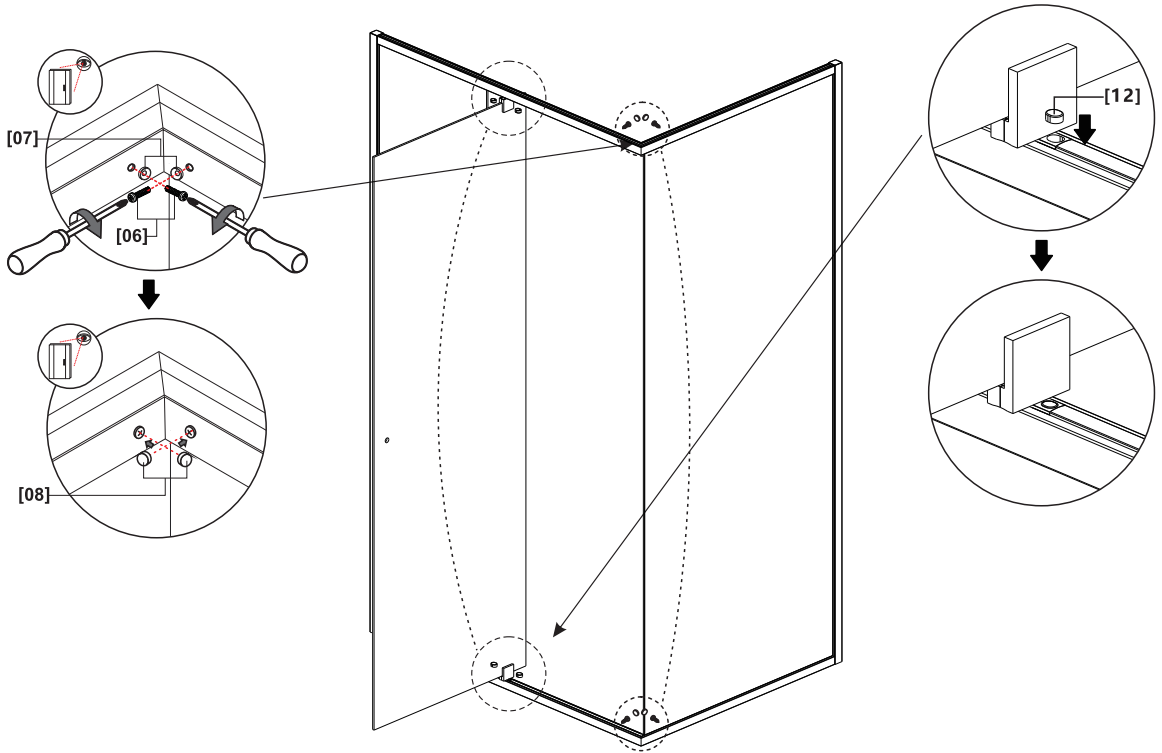
[07] x4



[08] x4



[12] x4



### Step 4

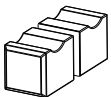
[06] x8 (St4x10)



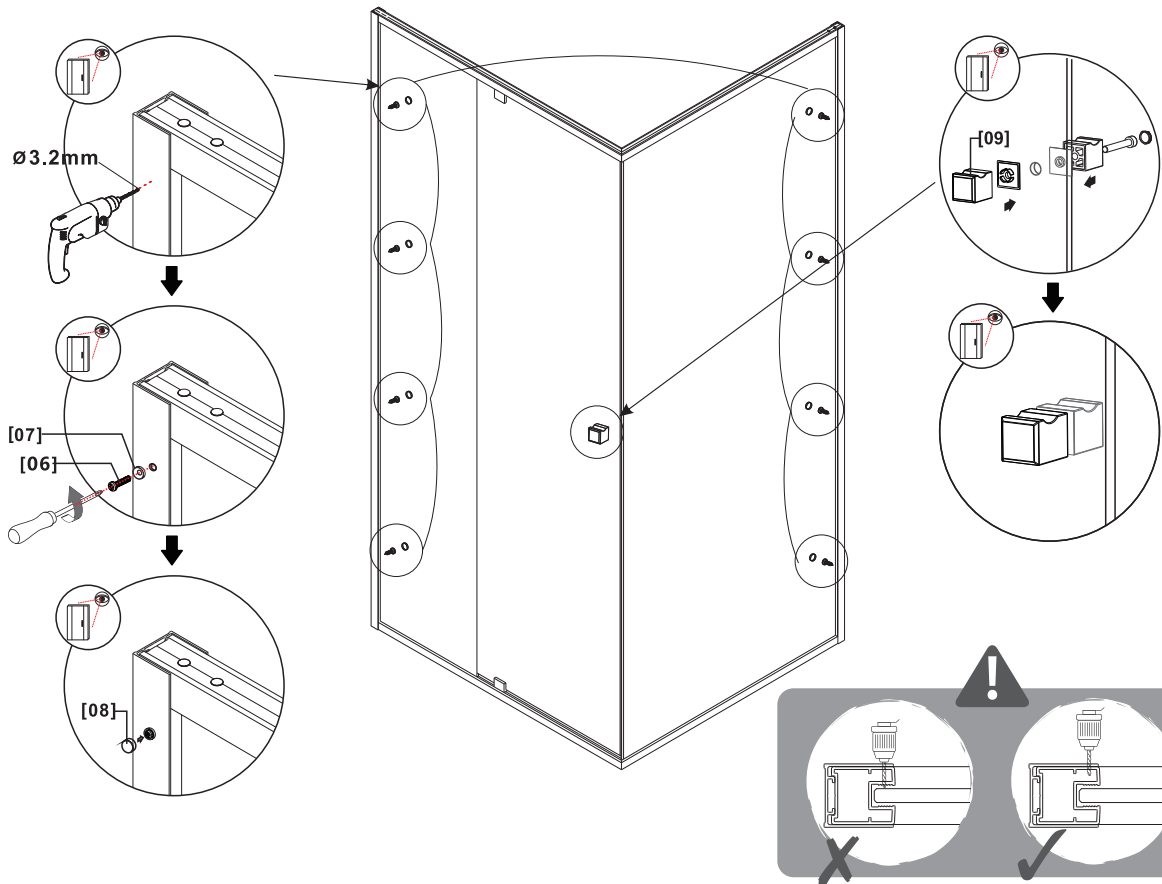
[07] x8

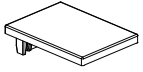


[08] x8



[09] x1





[10] x2

## Step 5

