

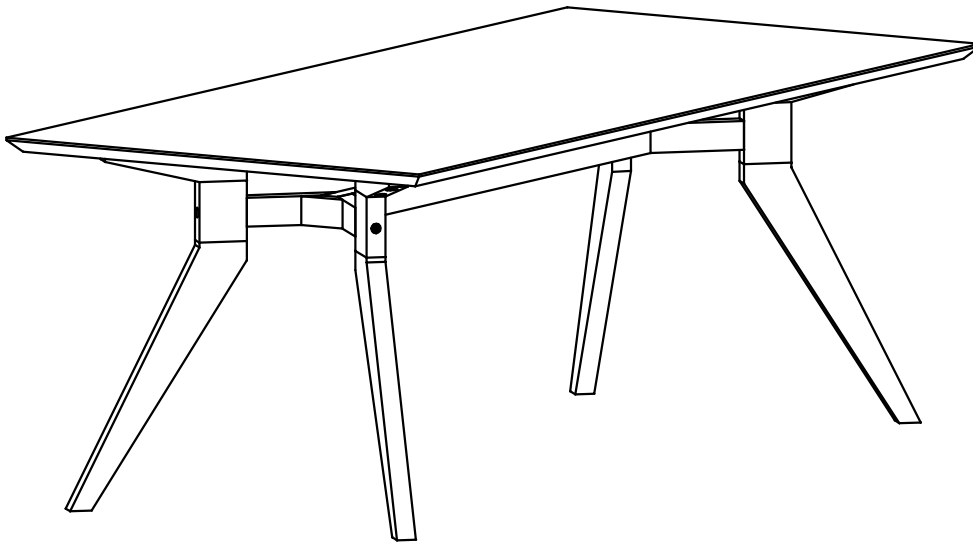
DINING TEAK TABLE

0429847

ASSEMBLY INSTRUCTIONS

COMPONENT PARTS

FITTINGS

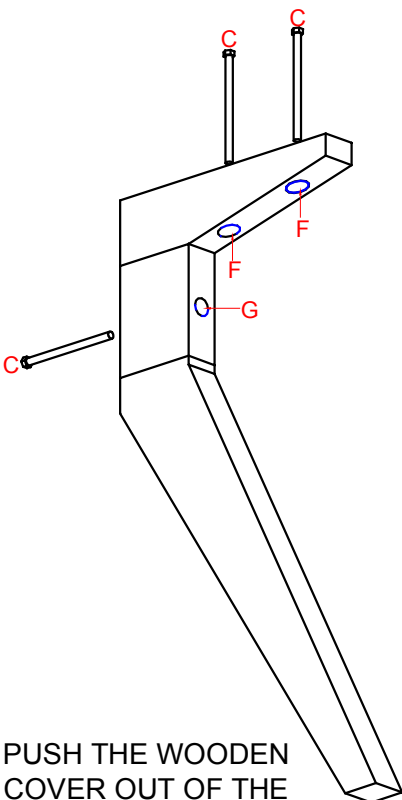


CODE	PICTURE	PART	QTY
T		TABLE TOP	1
P		CROSSBAR FOR LEGS	1
L		LEG	4

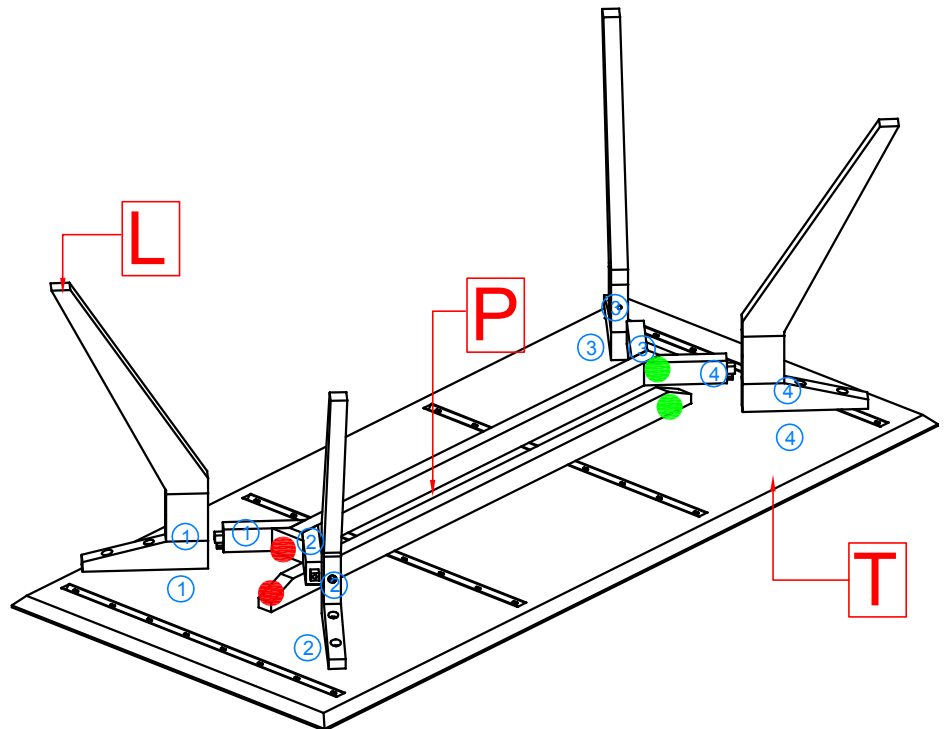
LIST OF HARDWARE FOR 1 SET

CODE	PICTURE	PART	QTY
A		HEXA BOLT M8 X 4 CM	4
B		HEXA BOLT M8 X 6 CM	4
C		HEXA BOLT M8 X 11 CM	4
D		WASHER	12
E		ALLEN KEY	1
F		WOODEN COVER	8
G		WOODEN COVER	4

STEP 1



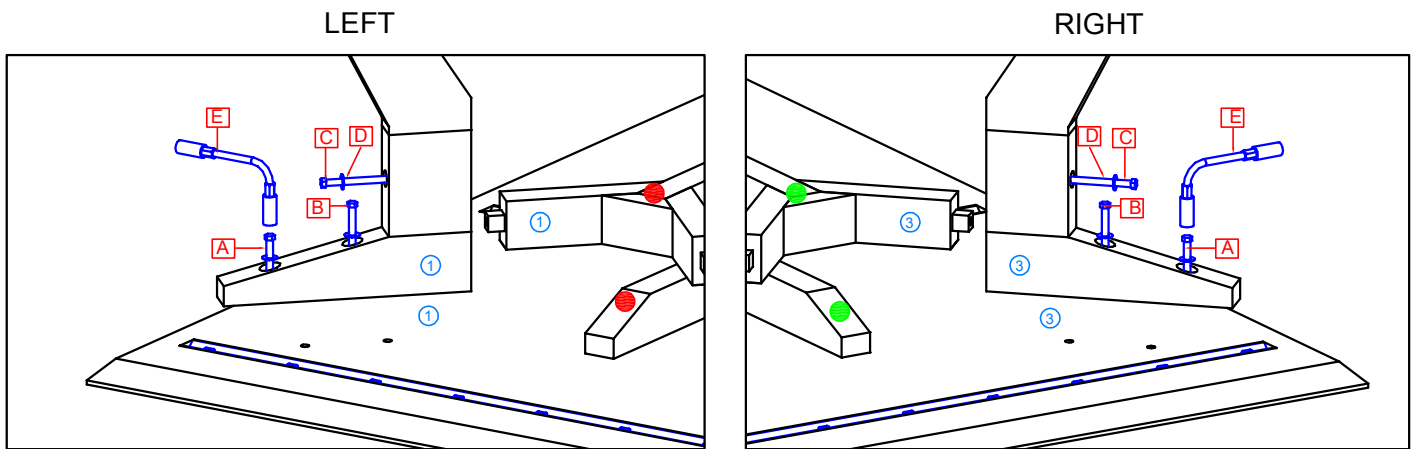
PUSH THE WOODEN COVER OUT OF THE HOLE USING BOLT



PLACE TABLE TOP UP SIDE DOWN ON A FLAT SURFACE
THE HOLES ON THE TABLE TOP AND LEGS ARE LABELLED 1,2,3,4 - PLACE THE LEG TO THE MATCHING NUMBER ON TABLE TOP
TABLE TOP IS LABELLED RED AND GREEN TO INDICATE WHICH WAY THE CROSSBAR SHOULD BE PLACED

DINING TEAK TABLE
0429847
ASSEMBLY INSTRUCTIONS

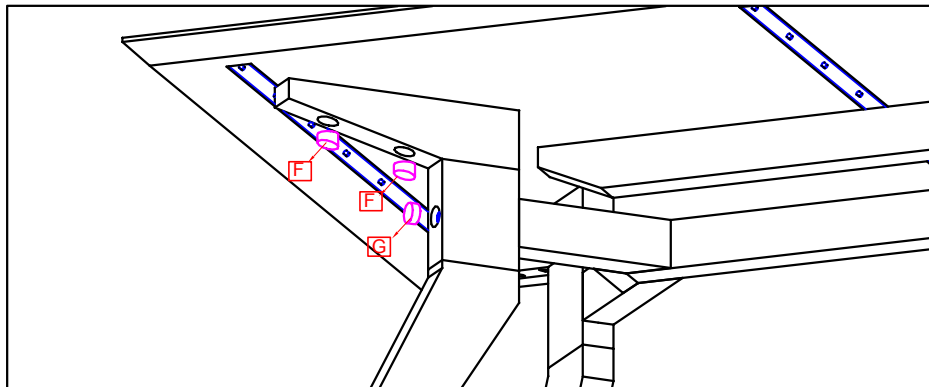
STEP 2



ASSEMBLE THE TABLE TOP AND CROSSBAR OF LEGS BETWEEN THE LEGS USING (A,B,C,D) SCREWS IN THE PRE - DRILLED HOLES .
TIGHTEN WITH ALLEN KEY (E) ONCE ALL SCREWS HAVEN BEEN SECURED IN PRE - DRILLED HOLES .

NOTE DO NOT USE EXCESSIVE FORCE. OVER TIGHTENING CAN CAUSE CRACKING IN TABLE TOP.

STEP 3



IF DESIRED USE THE WOODEN COVER TO CONCEAL SCREWS

FINISHED

