



lunar ROLLER BLIND

BLOCKOUT

Installation Instructions



BLOCKOUT



**EASY
INSTALL**



CHILD-SAFE



**SILENT
BOTTOM RAIL**



Innovative fabric utilises DULUX® technology to match popular paint colours.

- Premium blockout fabric featuring Dulux® technology
- Smooth operation with easy to install colour matched brackets
- Stylish silent bottom rail enhances blind to suit both modern and classic decors
- Elegant clear ball chain with Child Safety device to minimise tangling



Contents

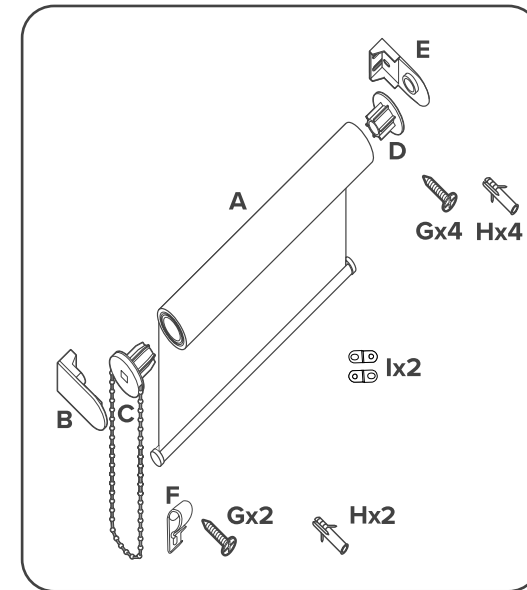
Installation Options	pg 4
Installation Instructions	pg 5
Maintenance	pg 7
Troubleshooting	pg 8

You'll Need



FIXINGS INCLUDED

Components List



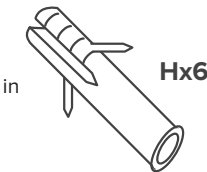
Before installation, check to ensure all blind parts are present.

Fixings Included

Screws for fitting to Architrave, Lintel/Wall or Ceiling Joist/Beam. Not suitable for fixing to brick or metal.



Plastic Plugs to be used in conjunction with screws where required.



Screws (**G**) have been provided for fixing brackets to architrave or timber frame.

Use plastic plugs (**H**) where required.

NOTE: ALTERNATE FIXINGS ARE REQUIRED IF FITTING TO BRICK OR METAL DEPENDING ON YOUR SPECIFIC APPLICATION/LOCATION

! WARNING

To avoid creating a possible strangulation hazard for children, the corded internal window covering must be installed in such a way that a loose cord cannot form a loop 220mm or longer at a height of less than 1600mm above floor level.

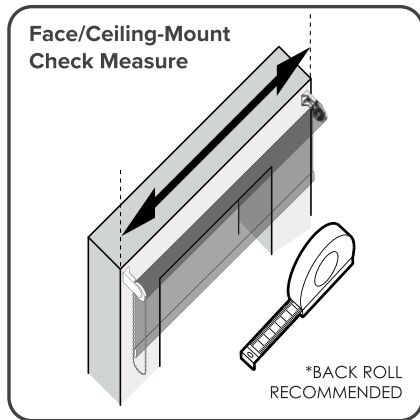
A cord guide may be installed lower than 1600mm above floor level if the cord is sufficiently secured or tensioned to prevent a loop 220mm or longer from being formed.

If a cord guide is installed lower than 1600mm above floor level it must be designed to prevent a child from being able to remove the cord.

If a cleat is used to secure the cord it must be at least 1600mm above floor level because a child is capable of unwinding a cord from a cleat.

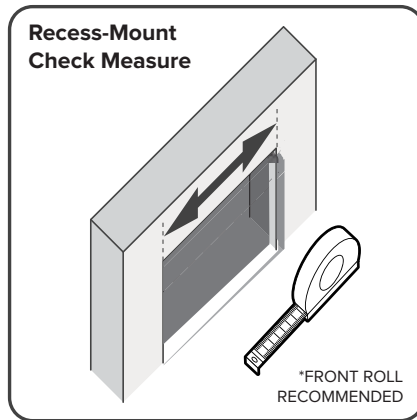
Installation Options

FACE MOUNT



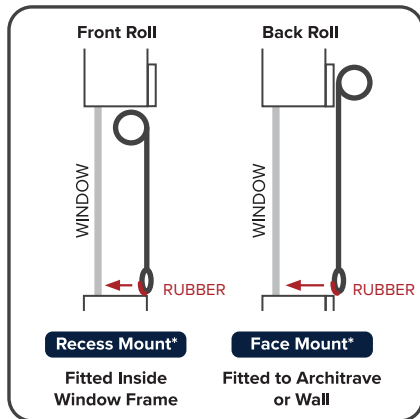
Face Mounted blinds are fixed to either: Architrave, Lintel/Wall or ceiling above the window frame. Measure width to cover opening as shown above.

RECESS MOUNT



Recess Mounted blinds are fixed inside the window frame. Measure width to fill opening as shown above.

FABRIC ROLL DIRECTION

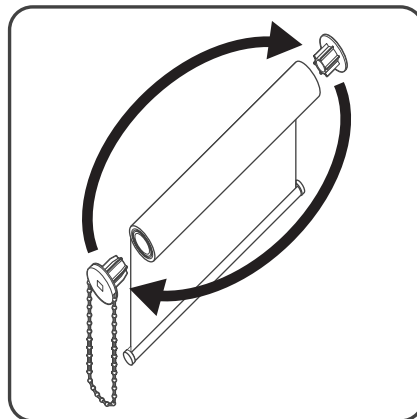


The default roll direction is 'front roll'. Ensure to install the blind with the bottom rail rubber facing the window. For a 'back roll' blind, flip the entire roller tube or re-roll the blind backwards.

Refer to page 8 for more info

***RECOMMENDED STYLE**

OPERATION SIDE



The Chain Operation can be swapped from either left or right side depending on your application/location.

Installation Instructions

NOTE ONE

Always measure and mark level bracket positions before pre-drilling pilot holes.

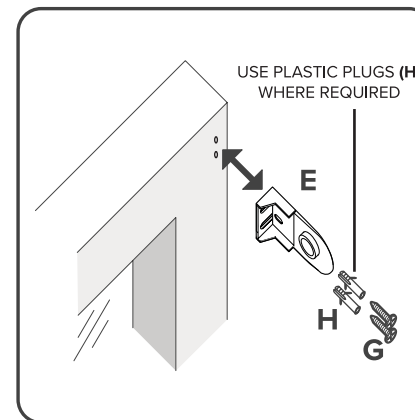
Before securing bracket, determine which side will have the chain mechanism operation and secure with bracket (B).

NOTE TWO

Alternate fixings are required if fitting to brick or metal depending on your specific application/location.

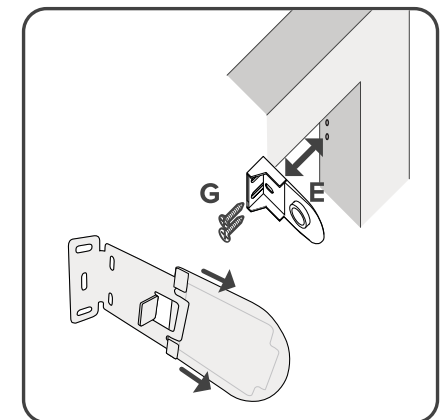
Use an appropriate anchor when fixing to plasterboard

STEP 1 FACE MOUNT



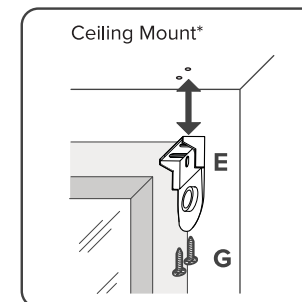
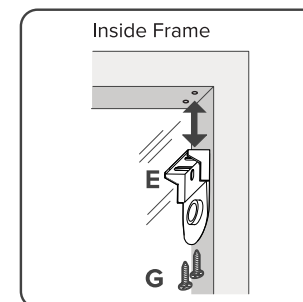
Secure to Architrave or Wall as shown above using screws provided.

STEP 1 RECESS MOUNT



Slide bracket cover off to expose screw holes. Discard Cover. Secure inside window frame as shown above using screws provided.

STEP 1 TOP MOUNT



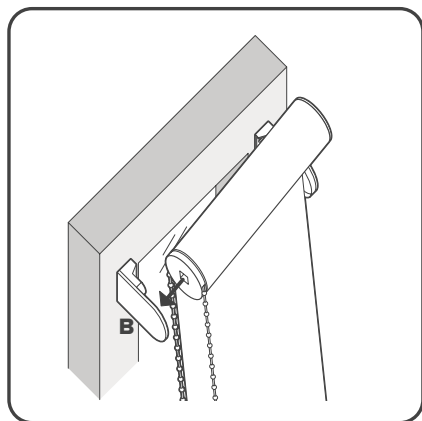
Secure to top of window frame or to ceiling as shown.

NOTE THREE

Ceiling mount must be fixed to joist/beam. Failure to do so could result in damage and/or injury.

Installation Instructions

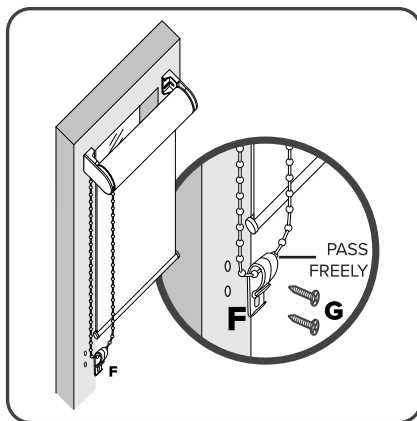
STEP 2 INSERT BLIND



Insert chain mechanism (C) into the desired side of roller tube. Insert idler end (D) into the opposite end.

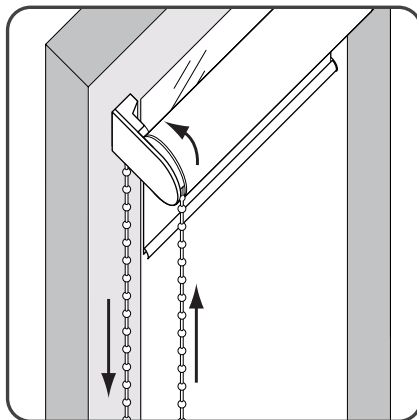
Insert blind into brackets: starting from the side with chain mechanism (C), insert into bracket (B). Then slide the idler end into bracket (E).

STEP 3 INSTALL SAFETY DEVICE



Lightly tension ball chain and fit tension device securely to architrave/wall. Allow enough play for chain to pass through device freely.

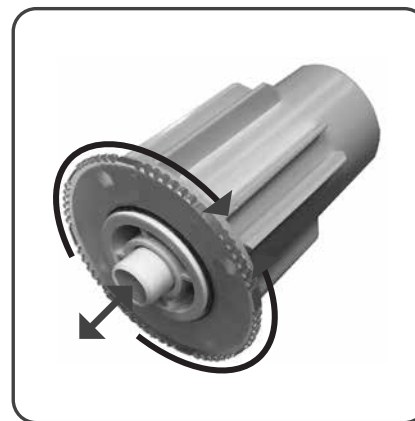
OPERATION



Gently pull on the ball chain to raise or lower your blind to any height.

Maintenance

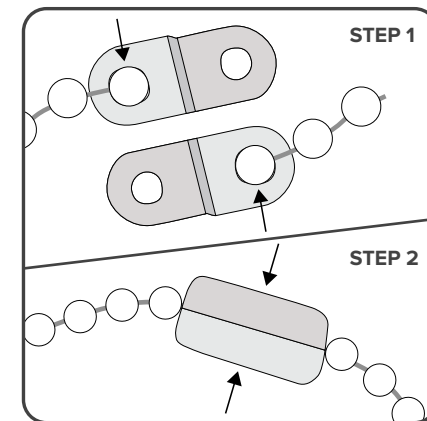
BLIND REMOVAL



Idler Pin mechanisms have a special feature allowing the pin to be wound in/out for easy blind removal and access to window for cleaning, painting or maintenance.

Twist clear wheel of Idler end (D) to release the blind from bracket.

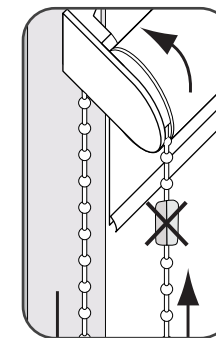
SHORTENING CHAIN LENGTH



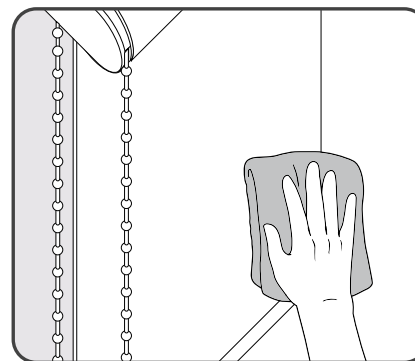
- To shorten current roller blind chain:
- Cut excess chain using scissors*
 - Place the last bead from the chain into the ball slot of one half of the chain joiner
 - Repeat for the other half of chain joiner
 - Clip the two halves together, you should now have a complete chain loop.

NOTE

*Measure the desired length of chain carefully. Once chain joiner is in place, it will NOT be able to pass through the chain mechanism.



CLEANING



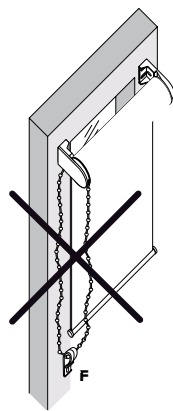
Dust periodically. Use warm soapy water (gentle/mild laundry detergent) and soft cloth to clean if required.

Avoid using harsh chemical as it can damage fabric coating.



Scan QR for instructional video

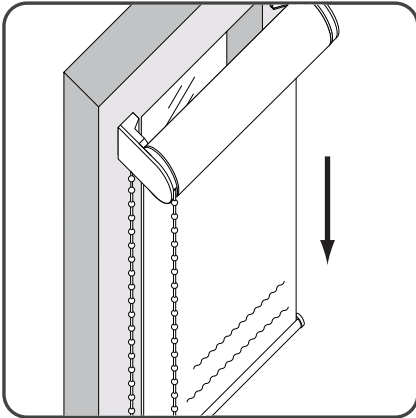
⚠ WARNING



To avoid creating a possible strangulation hazard for children, the corded internal window covering must be installed in such a way that a loose cord cannot form a loop 220mm or longer at a height of less than 1600mm above floor level.

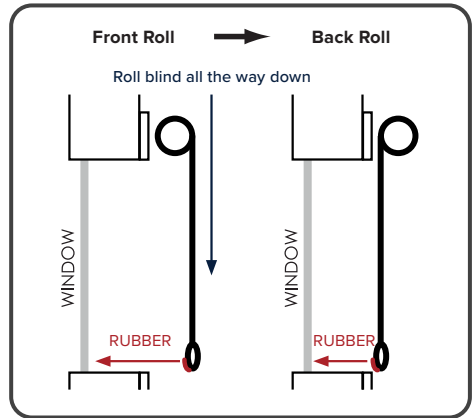
Troubleshooting Instructions

CREASING



If there are creasing marks on the blind, try to fully extend the blind down as much as possible and creasing should subside after about 2-4 weeks. The weight of the bottom rail will help flatten out the fabric.

FABRIC ROLL DIRECTION



Ensure the blind is installed with the bottom rail rubber facing the window.

To reverse the blind for 'back roll' installation

1. Roll the blind all the way to the bottom until you see the exposed tube at the top
2. Then keep rolling in the same direction to wind fabric back up
3. The roll direction is now 'back roll'

NOTE

As the blind has been tightly rolled for a period of time, the fabric could be slightly warped on the tube when winding the opposite direction. This will flatten over time.

PILLAR



Pillar Products PTY LTD
pillarproducts.com.au

48-50 Access Way,
Carrum Downs VIC 3201
1300 155 355
info@pillarproducts.com.au

WARRANTY



To register your purchase for our warranty, scan here and complete the steps. For any other issues please contact the Bunnings store of purchase.