

# Garden Basics

## USER GUIDE

### AUTO REWIND HOSE REEL

WX20GB 20m Hose Reel / WX30GB 30m Hose Reel



Read the instruction manual carefully before using the hose reel and follow all given instructions.

Save instructions for further reference.

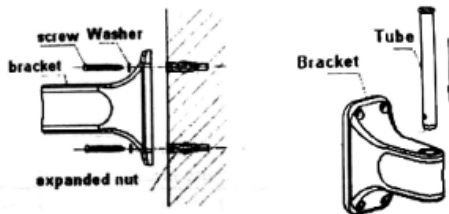


Fig.1 Installing bracket

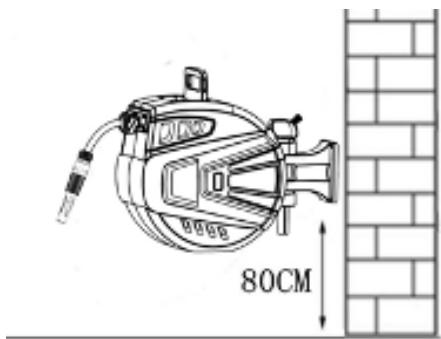


Fig.2 Distance between hose reel bracket and ground

## FASTENING BRACKET TO WALL

1. Drill 4× M8 holes to match the holes located in the mounting bracket (Fig.1)
2. Connect the hose reel to the mounting bracket with the pivot pin (Fig.1)

**i** It is recommended to install the mounting bracket **0.8m** from the mounting bracket to ground (Fig.2)

## RETRACTING GARDEN HOSE

1. Pull the hose, it has 2-3 lock positions every meter
2. Hold nozzle when retracting the hose

**⚠** Do not pull the hose past the warning mark

## TROUBLESHOOTING

**Q:** I have fully extended my hose and it no longer automatically retracts back into its housing, what can I do?

**A:** The hose end may have hit a lock position—leaving no extra hose to pull out and release it

### THERE ARE TWO WAYS TO SOLVE THIS:

- Hold the hose at the yellow warning mark and pull with a jerking motion until the hose retracts

### OR

- Place the item with its right side down—pull on the hose until it retracts

## SPECIFICATIONS

Models	Hose Length	Hose Material	Working Pressure	Temp	Housing material	Size of Inlet (BSP)
WX20GB	20m	PVC	800kPa	-5°C - 45°C	PP	Ø20mm
WX30GB	30m	PVC	800kPa	-5°C - 45°C	PP	Ø20mm