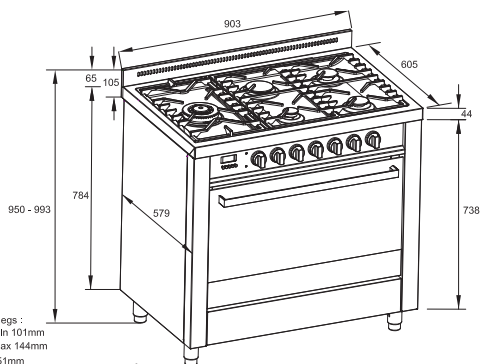


Freestanding Dual Fuel Oven XXL 109 Litre

Model: OFS9021



- Dual fuel, multifunction electric oven + 5 gas burners with 3.6kW triple crown wok
- New E.E.B Energy Efficient Burners for rapid heat at less cost
- Stunning mirror polished stainless steel construction
- 10 functions, Dual point lighting, Electronic timer and clock
- Commercial grade cast iron pan supports
- Under knob electronic, one touch auto ignition
- Plate warmer/convenient storage drawer
- Safety cool oven door, 3 sheets of glass
- Flame safe protection
- Tangential cooling fan
- 2 wire racks and baking tray with wire insert
- 2 telescopic sliding shelves
- Maxi Flow Adjustment Provides 27% more Flame Control



Telescopic legs :
Height min 101mm
max 144mm
Diameter : 51mm

Setback - Distance between front of oven and front of leg : 72mm

Total depth of the unit when oven door is open : 1012mm

Note : All dimensions in mm
Dimensions tolerance : +/- 2mm

These dimensions are provided as a general guide only and should not be used for designing or constructing cabinetry or for installation.

To obtain full installation instructions for this appliance go to kleenmaid.com.au and click on User Care Manuals, top right.



Flame Safe



Traditional cooking:
upper and lower
heating elements
Pizza and Bread



Pastry:
lower heating element



Energy Efficient
Burners



Fan assisted upper
heating element



Dual Mount
Lighting



Natural Gas
and LPG



Fan assisted lower
heating element



Defrosting: fan



Maxi Flow



Baking: fan forced



Gratin:
ventilated grill



Browning:
upper heating element



Full Grill



Fineline: 0267156

J12360_01

Level 2, 204 Botany Road, Alexandria NSW, 2015
P: 02 9310 1207 • E: support@kleenmaid.com.au
www.kleenmaid.com.au

kleenmaid
The best you can own