



**R36PHD00**



## IMPORTANT!

It is essential that you read the instructions in this manual before assembling, operating, and maintaining the product.

Subject to technical modification.

Safety, performance, and dependability have been given top priority in the design of your cordless digging tool.

## INTENDED USE

The cordless digging tool is intended to be used only by adults who have read and understood the instructions and warnings in this manual and can be considered responsible for their actions.

The product is intended only for outdoor use in a well-ventilated area. For safety reasons, the product must be adequately controlled by a two-handed operation.

The product is designed for planting and digging holes for applications such as planting of trees, shrubs, and flowers, cultivating and preparing soil, and light-duty fencing and posts.

Do not use the product to dig holes of more than 150 mm in diameter, as this can damage the product, can cause possible injury, and may void your warranty.

Do not use the product for any other purpose.

## GENERAL PRODUCT SAFETY WARNINGS

**⚠ WARNING! Read all safety warnings, instructions, illustrations and specifications provided with this power tool.** Failure to follow all instructions listed below may result in electric shock, fire and/or serious injury.

**Save all warnings and instructions for future reference.**

The term "power tool" in the warnings refers to your mains-operated (corded) product or battery-operated (cordless) product.

### WORK AREA SAFETY

- **Keep work area clean and well lit.** Cluttered or dark areas invite accidents.
- **Do not operate power tools in explosive atmospheres, such as in the presence of flammable liquids, gases or dust.** Power tools create sparks which may ignite the dust or fumes.
- **Keep children and bystanders away while operating a power tool.** Distractions can cause you to lose control.

### ELECTRICAL SAFETY

- **Power tool plugs must match the outlet. Never modify the plug in any way. Do not use any adapter plugs with earthed (grounded) power tools.** Unmodified plugs and matching outlets will reduce risk of electric shock.
- **Avoid body contact with earthed or grounded surfaces, such as pipes, radiators, ranges, and refrigerators.** There is an increased risk of electric shock if your body is earthed or grounded.
- **Do not expose power tools to rain or wet conditions.** Water entering a power tool will increase the risk of electric shock.

- **Do not abuse the cord. Never use the cord for carrying, pulling or unplugging the power tool. Keep cord away from heat, oil, sharp edges, or moving parts.** Damaged or entangled cords increase the risk of electric shock.
- **When operating a power tool outdoors, use an extension cord suitable for outdoor use.** Use of a cord suitable for outdoor use reduces the risk of electric shock.
- **If operating a power tool in a damp location is unavoidable, use a residual current device (RCD) protected supply.** Use of an RCD reduces the risk of electric shock.

### PERSONAL SAFETY

- **Stay alert, watch what you are doing, and use common sense when operating a power tool. Do not use a power tool while you are tired or under the influence of drugs, alcohol, or medication.** A moment of inattention while operating power tools may result in serious personal injury.
- **Use personal protective equipment. Always wear eye protection.** Protective equipment such as a dust mask, non-skid safety shoes, hard hat, or hearing protection used for appropriate conditions will reduce personal injuries.
- **Prevent unintentional starting. Ensure the switch is in the off-position before connecting to power source and/or battery pack, picking up or carrying the tool.** Carrying power tools with your finger on the switch or energising power tools that have the switch on invites accidents.
- **Remove any adjusting key or wrench before turning the power tool on.** A wrench or a key left attached to a rotating part of the power tool may result in personal injury.
- **Do not overreach. Keep proper footing and balance at all times.** This enables better control of the power tool in unexpected situations.
- **Dress properly. Do not wear loose clothing or jewellery. Keep your hair and clothing away from moving parts.** Loose clothes, jewellery, or long hair can be caught in moving parts.
- **If devices are provided for the connection of dust extraction and collection facilities, ensure these are connected and properly used.** Use of dust collection can reduce dust-related hazards.
- **Do not let familiarity gained from frequent use of tools allow you to become complacent and ignore tool safety principles.** A careless action can cause severe injury within a fraction of a second.

### POWER TOOL USE AND CARE

- **Do not force the power tool. Use the correct power tool for your application.** The correct power tool will do the job better and safer at the rate for which it was designed.
- **Do not use the power tool if the switch does not turn it on and off.** Any power tool that cannot be controlled with switch is dangerous and must be repaired.

- **Disconnect the plug from the power source and/ or remove the battery pack, if detachable, from the power tool before making any adjustments, changing accessories, or storing power tools.** Such preventive safety measures reduce the risk of starting the power tool accidentally.
- **Store idle power tools out of the reach of children and do not allow persons unfamiliar with the power tool or these instructions to operate the power tool.** Power tools are dangerous in the hands of untrained users.
- **Maintain power tools and accessories. Check for misalignment or binding of moving parts, breakage of parts and any other condition that may affect the power tool's operation. If damaged, have the power tool repaired before use.** Many accidents are caused by poorly maintained power tools.
- **Keep cutting tools sharp and clean.** Properly maintained cutting tools with sharp cutting edges are less likely to bind and are easier to control.
- **Use the power tool, accessories and tool bits etc. in accordance with these instructions, taking into account the working conditions and the work to be performed.** Use of the power tool for operations different from those intended could result in a hazardous situation.
- **Keep handles and grasping surfaces dry, clean and free from oil and grease.** Slippery handles and grasping surfaces do not allow for safe handling and control of the tool in unexpected situations.

#### BATTERY TOOL USE AND CARE

- **Recharge only with the charger specified by the manufacturer.** A charger that is suitable for one type of battery pack may create a risk of fire when used with another battery pack.
- **Use power tools only with specifically designated battery packs.** Use of any other battery packs may create a risk of injury and fire.
- **When battery pack is not in use, keep it away from other metal objects, like paper clips, coins, keys, nails, screws or other small metal objects, that can make a connection from one terminal to another.** Shorting the battery terminals together may cause burns or a fire.
- **Under abusive conditions, liquid may be ejected from the battery; avoid contact. If contact accidentally occurs, flush with water. If liquid contacts eyes, additionally seek medical help.** Liquid ejected from the battery may cause irritation or burns.
- **Do not use a battery pack or tool that is damaged or modified.** Damaged or modified batteries may exhibit unpredictable behaviour resulting in fire, explosion or risk of injury.
- **Do not expose a battery pack or tool to fire or excessive temperature.** Exposure to fire or temperature above 130°C may cause explosion.
- **Follow all charging instructions and do not charge the battery pack or tool outside the temperature range specified in the instructions.** Charging improperly or at temperatures outside the specified range may damage the battery and increase the risk of fire.

#### SERVICE

- **Have your power tool serviced by a qualified repair person using only identical replacement parts.** This will ensure that the safety of the power tool is maintained.
- **Never service damaged battery packs.** Service of battery packs should only be performed by the manufacturer or authorised service providers.

#### ADDITIONAL GENERAL SAFETY WARNINGS

- Some regions have regulations that restrict the use of the product. Check with your local authority for advice.
- Never allow children or people who are unfamiliar with these instructions to use the product. Local regulations may restrict the age of the operator.
- Ensure before each use that all controls and safety devices function correctly. Do not use the product if the off switch does not turn off the product.
- Wear full eye and hearing protection, strong sturdy gloves, and head protection while operating the product. Use a face mask if operation is dusty.
- Do not wear loose-fitting clothing, short trousers, or jewellery of any kind.
- Secure long hair so that it is above shoulder level to prevent entanglement in moving parts.
- Beware of thrown, flying, or falling objects. Keep all bystanders, children, and animals at least 15 m away from the work area.
- Do not operate the product in poor lighting. The operator requires a clear view of the work area to identify potential hazards.
- The use of hearing protection reduces the ability to hear warnings (shouts or alarms). The operator must pay extra attention to what is going on in the working area.
- Operating similar tools nearby increases both the risk of hearing injury and the potential for other persons to enter the working area.
- Keep firm footing and balance. Do not overreach. Overreaching can result in loss of balance and can increase the risk of kickback.
- Keep all parts of the body away from any moving part.
- Inspect the product before each use. Check for the correct operation of all controls. Check for loose fasteners. Make sure that all guards and handles are properly and securely attached. Replace any damaged parts before use.
- Do not modify the product in any way or use parts and accessories that are not recommended by the manufacturer.
- Do not allow familiarity with the product to make you careless. A careless fraction of a second is sufficient to inflict serious injury.
- Keep handles and grasping surfaces dry, clean, and free from oil and grease. Slippery handles and grasping surfaces do not allow for safe handling and control of the product in unexpected situations.
- Injuries may be caused, or aggravated, by prolonged use of the product. When using any product for prolonged periods, ensure to take regular breaks.

**⚠ WARNING!** If the product is dropped, suffers heavy impact, or begins to vibrate abnormally, immediately turn off the product and inspect it for damage or identify the cause of the vibration. Any damage should be properly repaired or replaced by an authorised service centre.

### CORDLESS DIGGING TOOL SAFETY WARNINGS

**⚠ WARNING!** Maintain a firm grip on the handles with both hands while using the auger. Keep the auger bit away from the body and below waist level.

- Replace the auger if it is cracked, bent, or damaged in any way. Ensure that the auger is properly installed and securely fastened. Failure to do so can cause serious injury.
- Make sure that the handles are properly and securely attached.
- Consider the environment in which you are working. Keep the working area free from electric cables or underground utilities.
- Use only the manufacturer's replacement parts. Do not use any other attachment.
- Replace the auger bit immediately if there are any cracks or any damage.
- Do not touch the auger bit when the product is turned on.
- If the auger bit jams, turn off the product immediately.
- Maintain a firm grip on both handles during operation.
- Do not use the product with the handle above waist level to avoid serious chest injuries when the product hits a hard object.
- Always keep the handles dry and clean.
- Ensure that all handles are properly fitted and in good condition.
- Do not start operating the product until you have a clear work area and secure footing.
- Do not modify the product in any way or use it to power any attachments or devices that are not recommended by the manufacturer.
- Before starting the product, ensure that the bit is not contacting any object.
- Do not use the product when there is a possibility of thunderstorm or lightning. Store the product safely indoors.
- To reduce the risk of injury associated with contacting moving parts, always turn off the product, remove the battery pack, and allow both to cool down. Make sure that all moving parts have come to a complete stop:
  - before servicing
  - before clearing a blockage
  - before checking, cleaning, and working on the product
  - before changing accessories
  - after striking a foreign object
  - whenever leaving the product unattended
  - whenever performing maintenance
  - whenever the product starts to vibrate abnormally
- Immediately turn off the product and remove the battery pack in the event of an accident or breakdown. Do not operate the product again until it has been fully checked by an authorised service centre.

- Brace the product properly before use. The product produces a high output torque and without properly bracing the tool during operation, loss of control may occur resulting in personal injury.
- Hold the product by the insulated gripping surfaces, when performing an operation where the cutting accessory may contact hidden wiring or its own cord. Cutting accessory contacting a "live" wire may make exposed metal parts of the power tool "live" and could give the operator an electric shock.
- Always start drilling at a low speed and with the auger tip in contact with the workpiece. At higher speeds, the auger is likely to bend if allowed to rotate freely without contacting the workpiece, resulting in personal injury. Never operate the product at higher speed than the maximum speed rating of the auger bit.
- Apply pressure only in direct line with the auger and do not apply excessive pressure. Augers can bend causing breakage or loss of control, resulting in personal injury.
- To avoid personal injury, do not start the product when the auger bit is not in contact with the ground.

### ADDITIONAL BATTERY SAFETY WARNINGS

To reduce the risk of fire, personal injury, and product damage due to a short circuit, never immerse the product, battery pack, or charger in fluid or allow fluid to flow inside them. Corrosive or conductive fluids, such as seawater, certain industrial chemical, and bleach or bleach-containing products, etc., can cause a short circuit.

### LED DISPLAY

Setting	Green LED light	Red LED light
Running	On	Off
Kickback: deactivated	On	On
Issue	Blue LED light	Red LED light
Kickback event	On	Off
Overload	Off	On

### ACTIVE KICKBACK AND OVERLOAD DISPLAY

The kickback feature is active when the dotted blue lights are on. When the product detects tough soil or debris, the feature is activated to protect the user. When the product stops, release the trigger and then remove the product from the hole.

The overload function is activated when the red bar light is highlighted. When the product stops, release the trigger and then remove the product from the hole.

## SWITCH POSITION

Display	Description	Location
REV	Reverse	Bottom
1	Speed 1	Middle
2	Speed 2	Top

**NOTE:** Turning off the kickback protection at any time is not recommended. However, in the event that it is deactivated, the product still has overload protection.

Ensure to maintain has a firm grip and solid stance when using the product.

## TRANSPORTATION AND STORAGE

- Turn off the product, remove the battery pack, and allow the product to cool down before storing or transporting.
- Clean all foreign material from the product.
- Do not store or transport the product with the battery pack fitted. Remove the battery pack, and secure it separately. Store the product in a cool, dry, and well-ventilated place that is inaccessible to children. Keep the product away from corrosive agents, such as garden chemicals and de-icing salts. Do not store the product outdoors.
- For transportation in vehicles, secure the product against movement or falling to prevent injury to persons or damage to the product.

## TRANSPORTING LITHIUM BATTERIES

Transport the battery pack in accordance with local and national provisions and regulations.

Follow all special requirements on packaging and labelling when transporting batteries by a third party. Ensure that no batteries can come in contact with other batteries or conductive materials while in transport by protecting exposed connectors with insulating, non-conductive caps or tape. Do not transport batteries that are cracked or leaking. Check with the forwarding company for further advice.

## MAINTENANCE

- Use only original manufacturer's replacement parts, accessories, and attachments. Failure to do so can cause possible injury, can contribute to poor performance, and may void your warranty.
  - Servicing requires extreme care and knowledge and should be performed only by a qualified service technician. Have the product serviced by an authorised service centre only.
- ⚠ WARNING!** The auger bit is very sharp. To prevent personal injury, exercise extreme caution when cleaning, fitting, or removing the auger bit. Always wear protective gloves when performing maintenance on the bit.
- Turn off the product and remove the battery pack before conducting any maintenance or cleaning work.
  - You may make adjustments or repairs described in this manual. For other repairs, contact an authorised service centre.

- After each use, clean the product with a soft, dry cloth. Any part that is damaged should be properly repaired or replaced by an authorised service centre.
- Check all nuts, bolts, and screws before each use and at frequent intervals for proper tightness to ensure that the product is in safe working condition. Any part that is damaged should be properly repaired or replaced by an authorised service centre.
- Bring the product to an authorised service centre to replace damaged or unreadable labels.

## SYMBOLS ON THE PRODUCT



Safety alert



Read and understand all the instructions before operating the product. Follow all the warnings and safety instructions.



Do not expose the product to rain or damp conditions.



Wear non-slip, heavy-duty protective gloves.



Wear non-slip safety footwear when using the product.



Wear eye protection.



Wear ear protection.



Remove the battery pack before starting any work on the product.



Beware of thrown or flying objects. Keep all bystanders, especially children and pets, at least 15 m away from the operating area.



Keep feet and legs away from the auger.



Never operate the auger in areas with underground electric, gas, water, or telephone lines.



Maintain a firm grip with both hands on the auger during operation.



Regulatory Compliance Mark (RCM). The product meets applicable regulatory requirements.



Waste electrical products should not be disposed of with household waste. Please recycle where facilities exist. Check with your local authority or retailer for recycling advice.



Guaranteed sound power level

## SYMBOLS IN THIS MANUAL

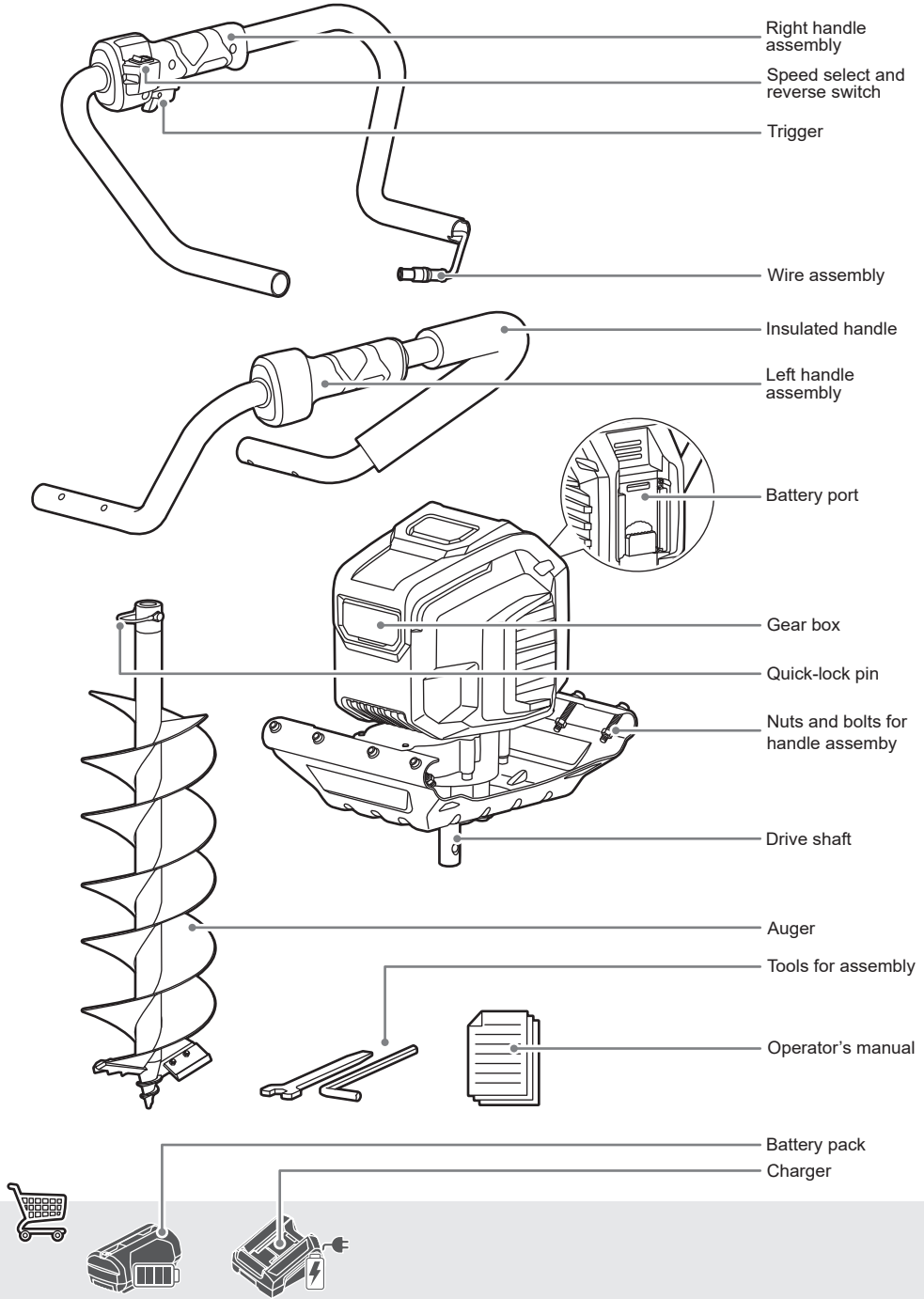


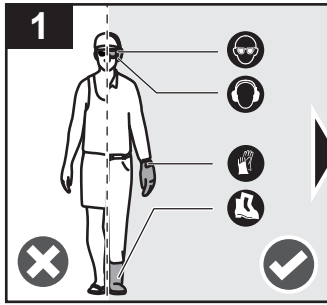
Note



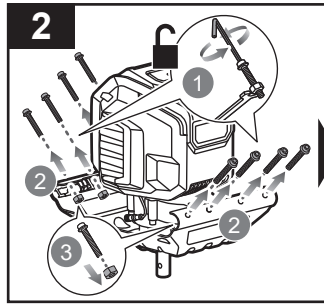
Warning

R36PHD00

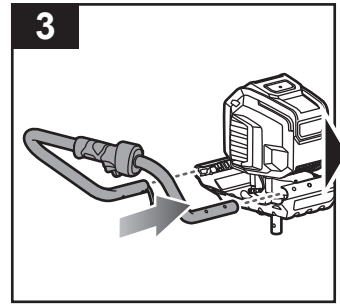




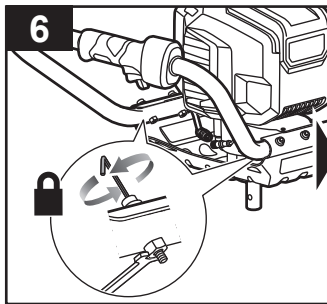
Always wear safety goggles or safety glasses with side shields when operating the product. Wear non-slip, heavy-duty protective gloves. Wear non-skid, protective footwear that will protect your feet and improve your footing on slippery surfaces.



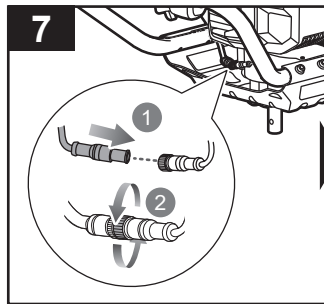
Loosen and remove the nuts and bolts using a hex key or wrench.



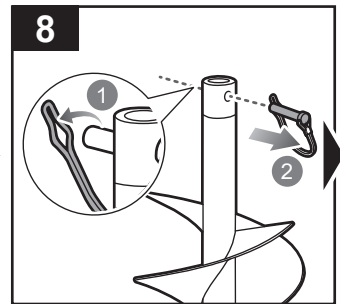
Insert the right handle assembly on the side with the exposed cable leading to the motor controller in the power head. Make sure that the holes on both sides of the handle assembly are aligned.



Hand-tighten the bolts, then tighten them securely with a hex nut using a hex key or wrench.

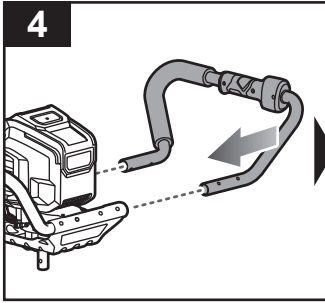


Connect the wire assembly of the right handle to the exposed cable of the motor controller in the power head. Secure the wires by screwing the terminals of the wire assembly and the integrated nut on the power head connector together until thumb tight.

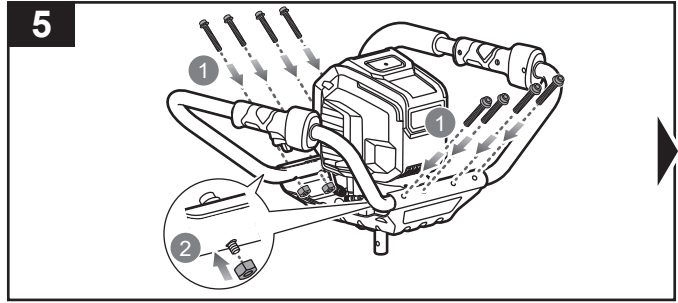


Remove the quick-lock pin from the auger.

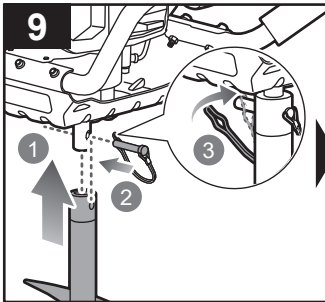




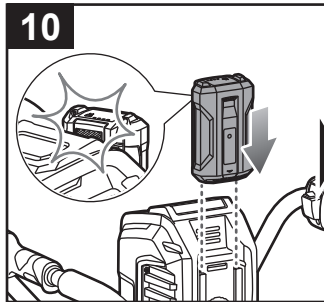
With the battery port facing towards you, insert the tubes of the left handle assembly into the curved slots on the power head base plate.



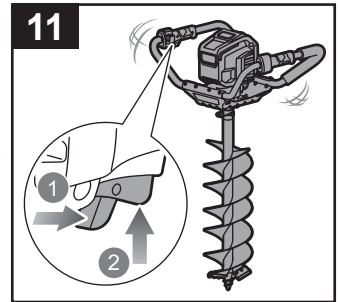
Align the holes on both sides and secure the handles using the nuts and bolts.



Insert the auger into the drive shaft. Align the holes on the auger and drive shaft. Insert and lock the quick-lock pin.



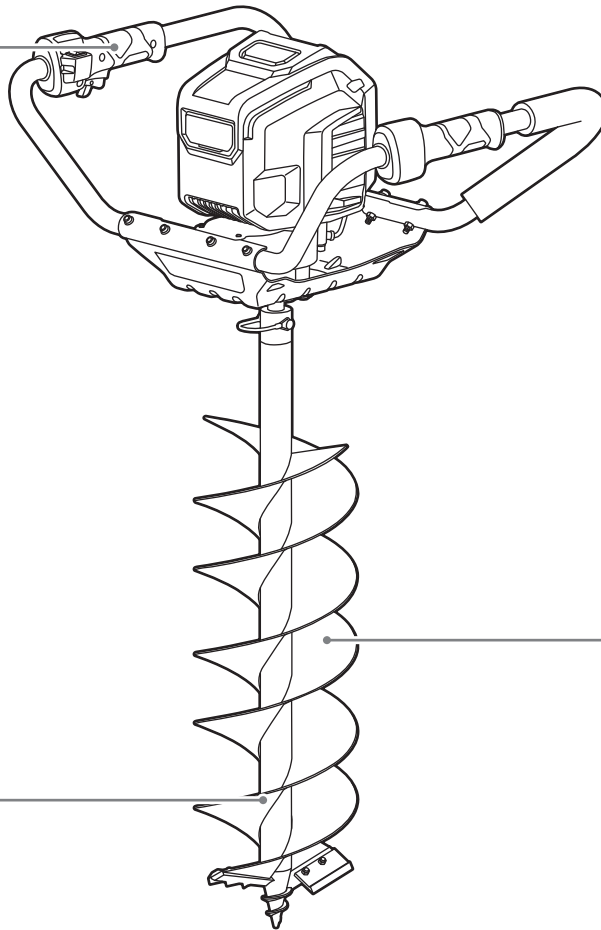
Insert the battery pack until the latches click into place.



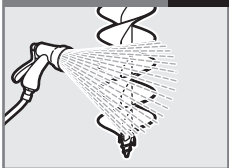
Squeeze the trigger to operate the product.

**WARNING:** To prevent personal injury or damage underground utility equipment, consult local organisations for advice, such as DIAL BEFORE YOU DIG (call 1100 or visit [www.1100.com.au](http://www.1100.com.au)).

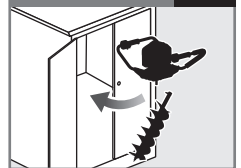
Operating the product p.11

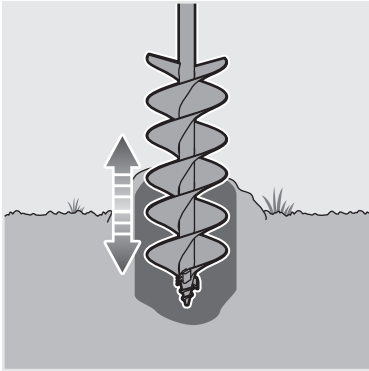


Cleaning the product p.13



Storing the product p.14



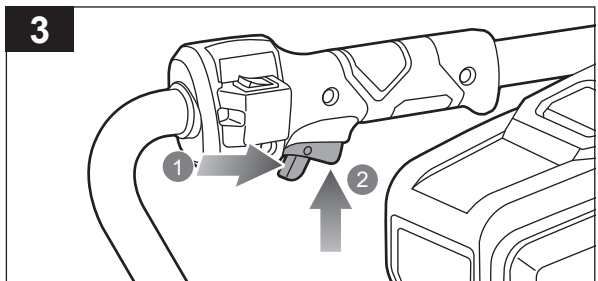
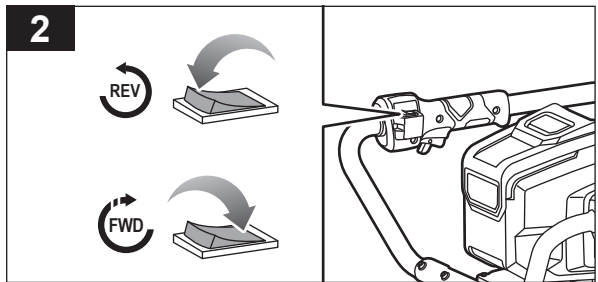
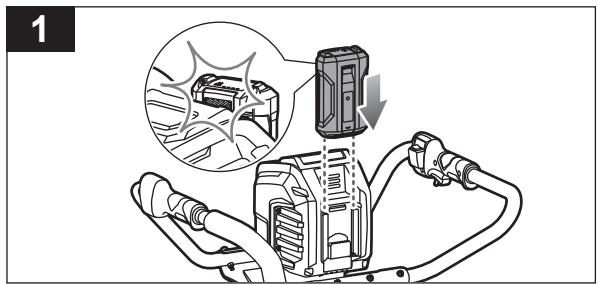
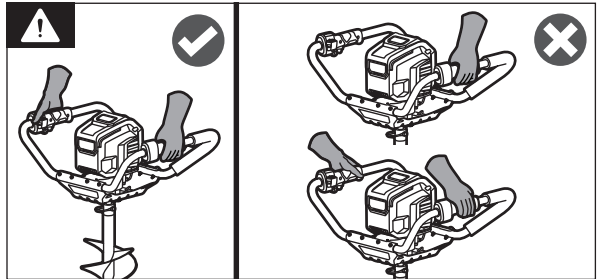
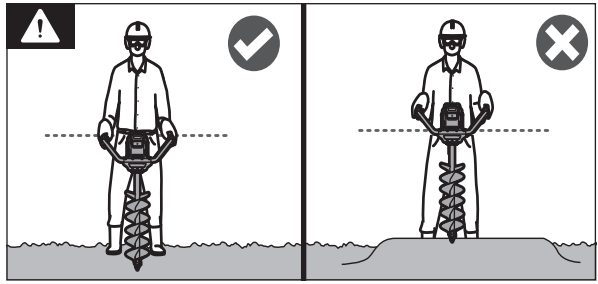


### OPERATING THE PRODUCT

**WARNING:** Always stand with the forward/reverse button close to the waist during operation.

**WARNING:** Maintain a firm grip on the product, and hold both handles in the correct operating position.

1. Insert the battery pack until the latches click into place.
2. Select the operating mode. When digging, always have kickback engaged to ensure user safety.
3. Squeeze the trigger to operate the product.

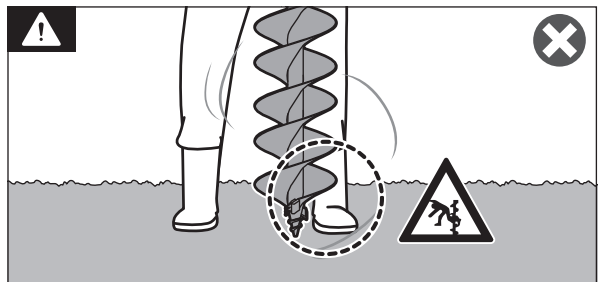
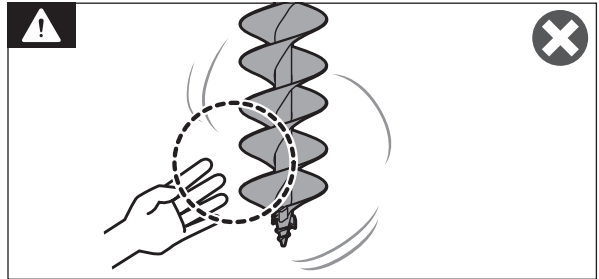
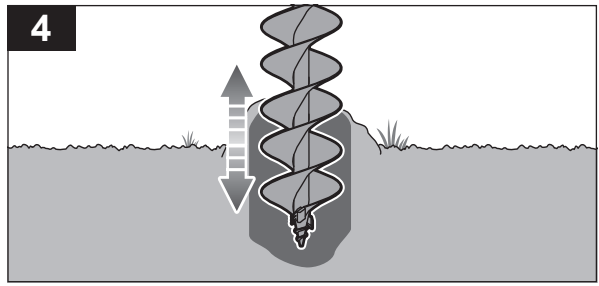


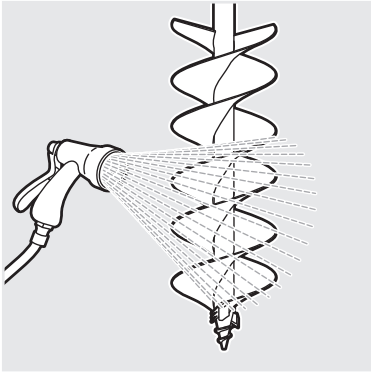
4. Use the product to plant and dig holes for applications such as planting of trees, shrubs, and flowers, cultivating and preparing soil, and light-duty fencing and posts.

**WARNING:** Do not touch the auger bit when the product is turned on. Keep the auger bit away from the body and below waist level.

#### OPERATING TIPS

- Make sure that feet are firmly planted above the work surface. Stand with the hips locked. The curve of the handle should be held close to the user's body below waist level. Maintain a firm grip with both hands on the handle.
- Lift the product above the work surface. Squeeze the trigger and allow the auger to gain full speed (2-3 seconds). Lower the auger into the work surface maintaining the 90° angle. Allow the auger to bite into the material, letting the auger do the work.
- While auger is operating at full speed, slowly lift it from the hole and allow the debris to clear from the auger.
- During operation, the hole fills up with debris. To remove debris from the hole, continue to operate the product at a forward speed and slowly lift it from the hole. Allow debris to clear from the auger, and reinsert it into the hole.
- If kickback occurs, the product will stop and the blue light will illuminate solid. Release the trigger to clear kickback protection. Restart the operation.

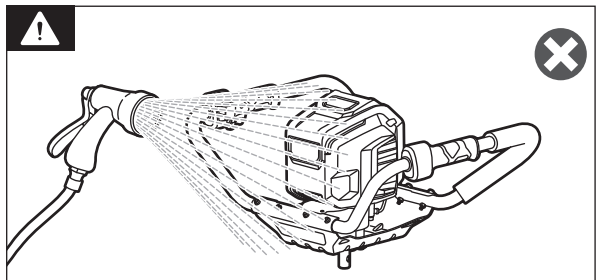
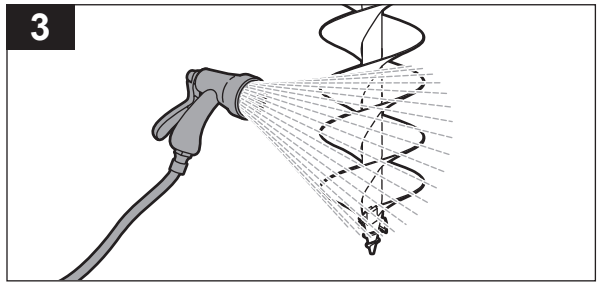
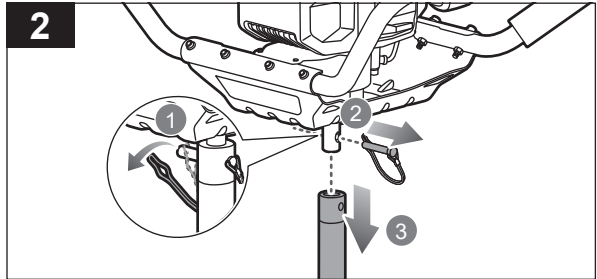
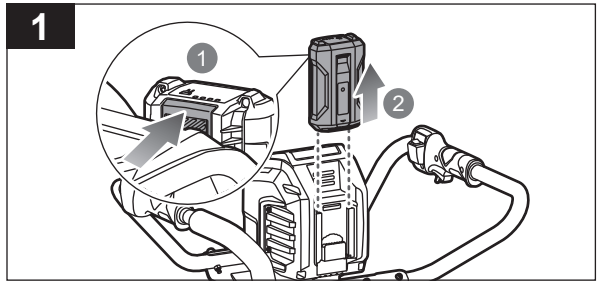


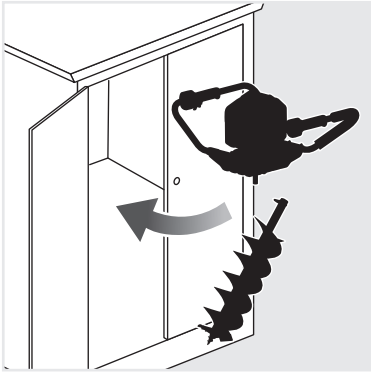


### CLEANING THE PRODUCT

1. Press the latches and remove the battery pack.
2. Unlock the quick-lock pin. Remove the auger from the drive shaft.
3. Clean the auger with water or a brush.

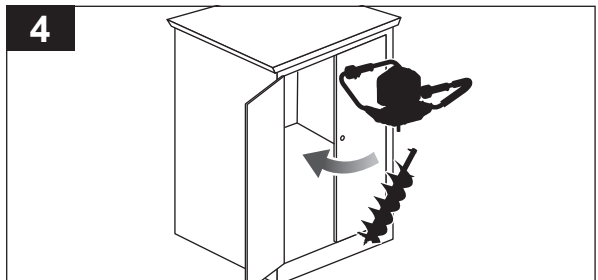
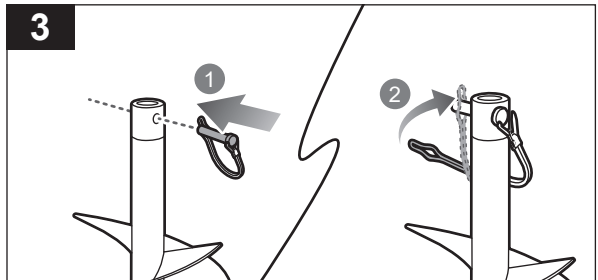
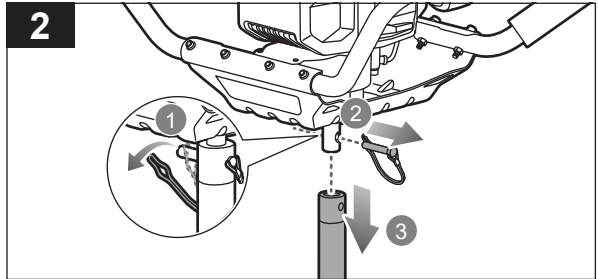
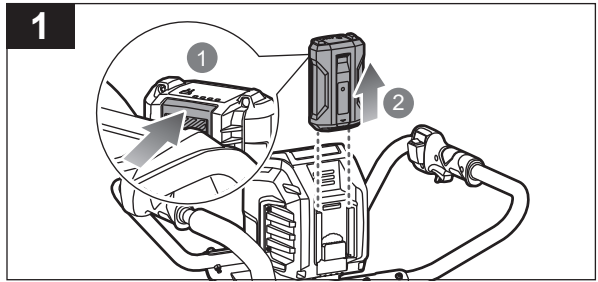
**WARNING:** Never wash the body of the product with water.





### STORING THE PRODUCT

1. Press the latches and remove the battery pack.
2. Unlock the quick-lock pin. Remove the auger from the drive shaft.
3. Secure the quick-lock pin to the drive shaft.
4. Store the product in a cool, dry, and well-ventilated area that is inaccessible to children. Do not store the product outdoors.



## PRODUCT SPECIFICATIONS

Cordless post hole digger

Model R36PHD00

Voltage 36 V d.c.

Weight without auger 10 kg

Weight with heaviest battery pack and accessory 16.75 kg

Recommended maximum depth 400–600 mm

Vibration level (in accordance with EN 62841-1:2015)

Left handle 0.86 m/s<sup>2</sup>

Right handle 1.082 m/s<sup>2</sup>

Uncertainty of measurement  $K = 1.5 \text{ m/s}^2$

Noise emission level (in accordance with EN 62841-1:2015)

A-weighted sound power level at the operator's position  $L_{\text{pA}} = 74.60 \text{ dB(A)}$

Uncertainty of measurement  $K = 3.0 \text{ dB}$

A-weighted sound power level  $L_{\text{wA}} = 85.60 \text{ dB(A)}$

Uncertainty of measurement  $K = 3.0 \text{ dB}$

## BATTERY AND CHARGER

Model R36PHD00

Compatible battery packs BPL3612D, BPL3620D, BPL3626D, BPL3626D2, BPL3640D, BPL3640D2, BPL3650D, BPL3650D2, BPL3660D, BPL3690D, R36BTY2, R36BTY4

Compatible chargers BCL3617S, BCL3617U, BCL3620S, BCL3660F

**⚠ WARNING!** The declared vibration total values and the declared noise emission values given in this instruction manual have been measured in accordance with a standardised test and may be used to compare one tool with another. They may be used for a preliminary assessment of exposure.

The declared vibration and noise emission values represent the main applications of the tool. However, if the tool is used for different applications, used with different accessories, or poorly maintained, the vibration and noise emission may differ. These conditions may significantly increase the exposure levels over the total working period. An estimation of the level of exposure to vibration and noise should take into account the times when the tool is turned off or when it is running idle. These conditions may significantly reduce the exposure level over the total working period.

Identify additional safety measures to protect the operator from the effects of vibration and noise, such as maintaining the tool and the accessories, keeping the hands warm (in case of vibration), and organising work patterns.w

*This manual may feature third party recommendations or displays links to web sites, services, and content owned and operated by third parties. The third party do not form part of this manual and are not under our control. By referencing or displaying the third party, we do not in any way represent that we recommend or endorse the relevant third party, its goods, or its services. We do not accept any responsibility in connection with any third party. If you engage with any such third party features, we will not be liable under any circumstance for your engagement, and you do so entirely at your own risk.*



Imported by:

**Techtronic Industries Australia Pty Ltd**

31 Gilby Road, Mount Waverley, VIC 3149

Melbourne, Australia

**Techtronic Industries N.Z. Limited**

Unit C, 70 Business Parade South,

Highbrook, Auckland 2013, New Zealand

*RYOBI is a trade mark of Ryobi Limited, and is used under license.*

© 2021 Techtronic Cordless GP.

961087300-01

