

The logo for MIMOSA, featuring the brand name in a white, sans-serif font inside a solid black rectangular box. The background of the entire page is a light gray with a faint, large-scale pattern of palm fronds.

MIMOSA®

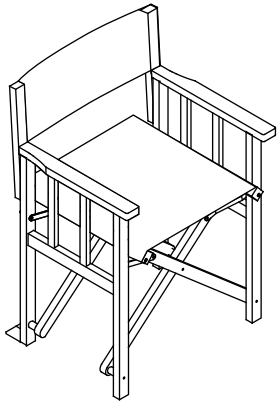
Assembly  
Instructions

# TIMBER DIRECTORS CHAIR

## 0584217

### ASSEMBLY INSTRUCTIONS

#### COMPONENT PARTS



#### FITTINGS

PART	No.	Qty.	☑
Seat Chair	01	1	<input type="checkbox"/>
Back Chair	02	1	<input type="checkbox"/>



#### COMPONENT CHECKLIST

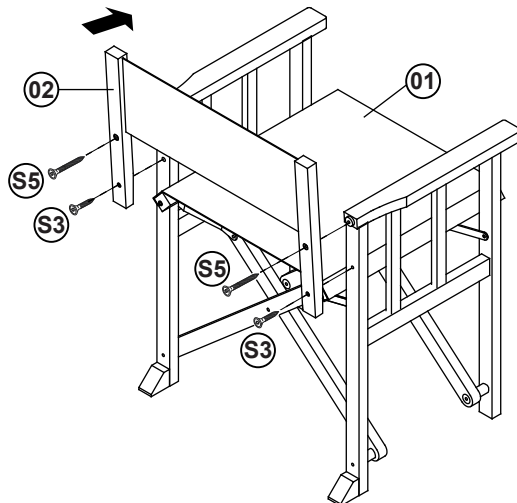
<b>S3</b>		SCREW (M7 x 35mm) x 2 Pcs
<b>S5</b>		SCREW (M7 x 50mm) x 2 Pcs

#### TOOLS REQUIRED

<b>K</b>		ALLEN KEY 5 x 75 x 2Pcs
----------	---	-------------------------

Step 1 Partially open the chair then attach the back rest timber uprights to the chair at the pre-drilled holes using screws S3x2 and S5x2.

S3		x 2
S5		x 2



Step 2 Open the chair completely.

