

Product Guarantee

If there are any quality issues within two years of the purchase date on the electronic lens and deemed faulty by the manufacturer, a free repair or replacement will be offered. Repair costs will be charged if damage is a result of improper use, not in warranty or not in accordance with the instructions. Keep the proof of purchase as evidence of purchase date.

FAQ

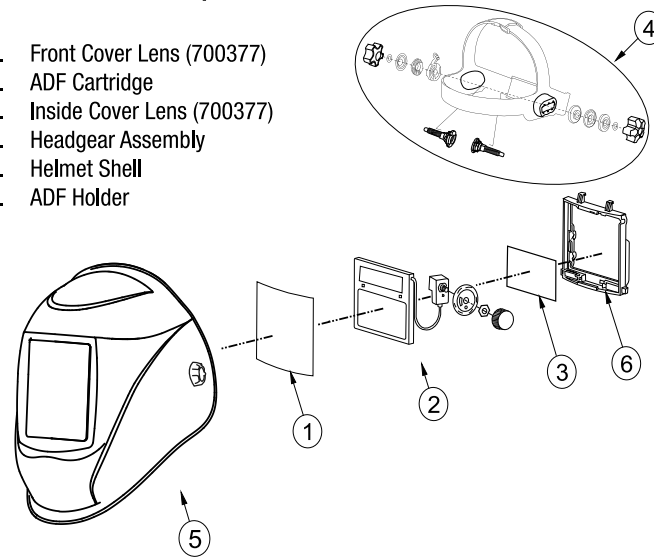
FAQ	REASONS	SOLUTIONS
Filters do not darken or flickers	Protector is polluted or damaged	Clean or replace it
	Arc sensor is not clear	Clean the surface of sensor
	Welding current is too small	Adjust sensitivity to the Max
	Battery is low	Replace battery
Reacts slowly	Ambient temperature is too low	Do not use below -5 degrees
	Sensitivity setting is too low	Raise sensitivity setting
Filter is not clear	Protector is stained	Clean or replace protector
	Protective film not removed	Remove protective film
	Filter lens has stains	Wipe both sides of filter lens
	Ambient light is insufficient	Adjust the light of the workplace
Welding cap slips	Shade No. is not set correctly	Re-set shade no.
	Headband is not adjusted	Adjust fixed nuts of the headgear

Technical Specifications

Viewing Area	98mm x 87mm
Shades	5-8 / 9-13
Sensitivity	Stepless Adjustment
Switching Delay	Stepless Adjustment
Light Shade	DIN 4
Power Supply	Lithium Battery (Replaceable)
Certification	EN175, AS/NZ 21337 & 1338
Operating Temperature	-10°C ~ 60°C
Variable Dark Shade	Shade DIN 5-8 / 9-13
Switching Speed	1/30000s
Optical Rating	1/1/1/2
Sensor Quantity	4
Warranty	2 Year

Helmet Structural Graph

1. Front Cover Lens (700377)
2. ADF Cartridge
3. Inside Cover Lens (700377)
4. Headgear Assembly
5. Helmet Shell
6. ADF Holder



OTHER PRODUCTS IN OUR RANGE

- ELECTRODES
- TIG RODS
- WELDING HELMETS
- WELDING MACHINES
- TORCH SPARE PARTS
- WELDING ACCESSORIES
- MIG WIRE
- GAS EQUIPMENT
- WELDING SAFETY
- MIG TORCHES
- TIG TORCHES
- WELDING CABLE

WARNING Protect yourself and others, read and understand this label. Take precautions when welding. Follow your employers safety practices that should be based on your manufacturer's hazard data available to your employer. Fumes and gases can be dangerous to your health. Arc rays can injure eyes and burn skin. Electric shock can kill. Keep your head out of the fumes. Use enough ventilation, exhaust the fumes, or both, to keep fumes and gases from your breathing zone, and the general area. Wear the correct eye (welding helmets, safety glasses and faceshield), ear, respiratory and body protection. Do not touch live electrical parts. See WTIA Technical Note 7 available from the Welding Technology Institute of Australia, wtia.com.au

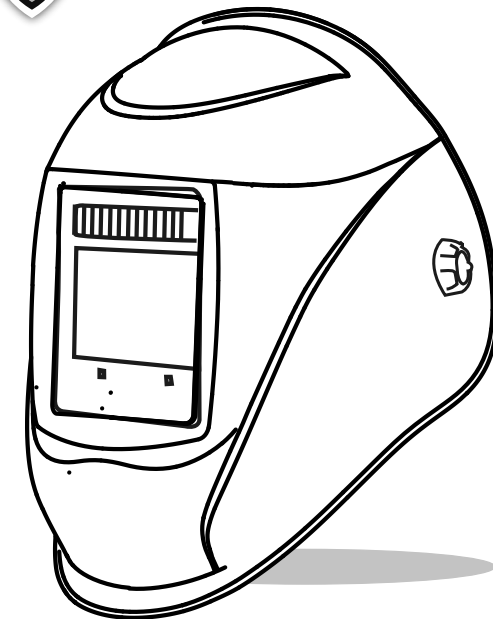
Bossweld is a registered trademark of DYNAWELD Industrial Supplies

DIY TRADE PROFESSIONAL



ELECTRONIC WELDING HELMET

FOCUS SERIES MANUAL



BOSSWELD
WELD LIKE A BOSS

BOSSWELD
WELD LIKE A BOSS

BOSSWELD.COM.AU



TAG US:
#weldlikeaboss

BOSSWELD
WELD LIKE A BOSS

Overview

With a combination of spectral filtering technology, photoelectric inductive control technology and liquid crystal light control technology, this auto darkening welding helmet is one advanced product. The Auto Darkening Filter (ADF) works with the photoelectric induction principle that makes the liquid crystal change from a bright state into a dark state when the light sensors detect light from the arc. It then automatically changes back to a light state when welding is finished, thereby protecting the user's eyes, face and skin from the arc, as well as from splash and infrared/ultraviolet radiation.

Product Features

1. The Focus series shade can be adjusted from shade 5 to 8 or 9 to 13 using the variable shade knob on the inside of the helmet. Switching between shade ranges, sensitivity and delay time settings can be adjusted using switches on the inside of the helmet.
2. Photoelectric sensor technology and a high quality dual LCD and filter, providing the welder with a clear field of view and effective protection. Ultraviolet ray protection grade of up to DIN16.
3. Light state shade is DIN4. Light to dark switching time of 1/30000s.
4. Normal operation temperature is between -10 degrees Celsius to 60 degrees Celsius. Applications include MIG, Stick and TIG welding and Plasma cutting.
5. Lightweight design along with fully adjustable headgear provides comfort for the user.
6. Products have been certified to the safety and technical standard of EN175 and AS/NZ 21337 & 1338

Operation Guide

Before Welding

1. Please check that the protective film has been removed from the inside and outside cover lenses.
2. Please check the ADF, if the solar cell is damaged or blocked by dust and/or the sensors are dirty, the ADF may not function correctly. Refer to Maintenance if cleaning is required.
3. Please check all operating parts are not worn or damaged. If any are damaged, they should be replaced immediately so as not to incur any personal injury.

Shade Number Selection

1. Shade number can be manually set from 5-8 or 9-13 by adjusting the variable shade control knob on the outside of the helmet by rotating/adjusting the knob to the required shading number. Switching between shade ranges can be adjusted using a switch on the inside of the helmet.

Delay Time

1. Delay time setting can be adjusted on the inside of the helmet.
2. Minimum delay time of 0.1-0.25s is suitable for spot welding, short welding or seam welding work.
3. Maximum delay time of approximately 1.0s is suitable for high current welding and/or to help prevent eye fatigue for the welder.
4. Medium delay time is suitable for the majority of indoor and outdoor welding operations.

Sensitivity

1. Sensitivity setting can be adjusted on the inside of the helmet.

Welding Process	Arc Current(Amperes)																					
	1,5	6	10	15	30	40	60	70	100	125	150	175	200	225	250	300	350	400	450	500	600	
SMAW	8				9			10		11		12			13		14					
MAG					8			9		10		11			12		13		14			
TIG	8				9			10		11		12			13							
MIG(heavy)								9		10		11			12		13		14			
MIG(light)										10		11			12		13		14			
PAC										9		10		11		12			13			
PAW	4	5	6	7	8	9	10	11	12	13	14											
Note	<ul style="list-style-type: none"> ★ SMAW-Covered electrodes ★ MAG-Metal arc Welding ★ TIG-Gas Tungsten Arc Welding ★ MIG(Heavy)-MIG with heavy metals ★ MIG(light)-MIG with light alloys ★ PAC-Plasma jet cutting ★ PAW-Microplasma arc welding 																					

Table 1

2. Minimum sensitivity is suitable for high current welding or in a bright light environment.
3. Maximum sensitivity is suitable for low current welding or in a low light environment.

Test

1. Use an ordinary incandescent light source more than 40W near the arc sensor filter to check whether the LCD becomes dark and automatically returns to the bright state after removing the light source.

Headgear Adjustment

1. The headgear can be tightened by turning the adjustment knob at the back of the harness. Rotate the knob clockwise and/or anti clockwise until a comfortable level is found. (See "Y" in Fig. 1)
2. The top strap on the headgear can be adjusted to ensure the correct balance and stability (See "W" in Fig. 1)
3. Adjusting the distance between the face and the lens by loosening both outside tension knobs and press inward to free from adjustment slots. Move forward or back to desired position and retighten. Both sides must be equally positioned for proper vision. (See "Z" and "T" in Fig. 1)
4. The 4 pins on the right side of the headgear are used to adjust the forward tilt of the helmet. To adjust, loosen the right outside tension adjustment knob then lift on the control arm tab and move it to the desired position and retighten tension adjustment knob. (See "X" in Fig. 1)

Battery Replacement

1. The Focus series uses the CR2450 battery that can be changed.

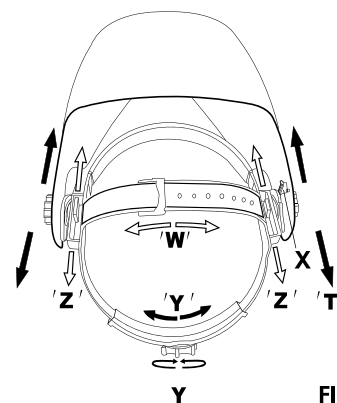


FIG. 1

Maintenance

1. Please use tissues and/or clean, soft cotton to clean the lens and sensors.
2. Please use neutral detergent to clean welding helmet shell and sweat bands.
3. Regularly replace the inside and outside cover lenses and sweat bands.
4. Do not use corrosive solvents or gasoline to dilute detergent.
5. Do not submerge the electronic lens in water or other solutions.

Attention

1. The auto darkening welding helmet is not suitable for laser welding and oxygen acetylene welding.
2. Do not put any part of the welding helmet and/or electronic lens near hot or damp places.
3. Before using, please check the settings are correct for the welding job.
4. The inside and outside cover lens must be installed to protect the electronic lens from damage. Any spatter damage to the lens will void the warranty and not be covered.
5. Stop using immediately if the ADF is not auto darkening and contact the dealer.
6. Do not use alcohol, petrol or thinner to clean filter; do not immerse it in water.
7. Operating temperature: -10 degrees Celsius to 60 degrees Celsius. The reaction of ADF will slow down if the ambient temperature is too low.
8. Replace the inside and/or outside cover lenses immediately if they are broken or the vision is impaired as it may hurt the welder and reduce productivity.
9. Clean filter surface, sensors and solar cells regularly.
10. Helmet is not designed to prevent serious impact, explosive or corrosive liquid damage.

NOTE: Serious injury will be incurred if users do not follow the above mentioned attentions