

INSTALLATION, OPERATION & MAINTENANCE INSTRUCTIONS

FOR EVERDURE RANGEHOODS



Pictured: RBES607G, RBES907G

Models:

RBES607G

RBES907G

EVERDURE.

EVERDURE.

INSTALLATION, OPERATION AND MAINTENANCE INSTRUCTIONS FOR EVERDURE RANGEHOODS

RBES607G, RBES907G

CONGRATULATIONS

Welcome to the Everdure Kitchen Community and thank you for choosing one of our many fantastic cooking appliances. We are confident that you will now be able to meet your cooking needs. Before you use the rangehood we strongly recommend that you read through the whole user manual which provides the description of this product and the proper use of its functions. To avoid the ever-present risks involved with using an electrical appliance it is vital that the appliance is installed correctly and that you read the safety instructions carefully to avoid misuse and hazards.

It is important that you retain these instructions and your proof of purchase along with any other important documents about this product for future reference. Due to continual product development, Everdure reserves the right to alter specifications or appearances without notice.

CONTENTS

IMPORTANT SAFETY INSTRUCTIONS	1
APPLIANCE DETAILS	2
INSTALLATION INSTRUCTIONS.....	3-6
OPERATING INSTRUCTIONS.....	7
MAINTENANCE AND CLEANING.....	8
TROUBLESHOOTING	11
WARRANTY CONDITION	12

It is important that you retain these instructions, proof of purchase as well as other important documents about this product for future reference.

Due to continual product development, Everdure reserves the right to alter specifications or appearances without notice.

Remove all packaging and dispose responsibly – recycle where facilities are available.

IMPORTANT SAFETY INSTRUCTIONS

IMPORTANT: Read the assembly instruction section and safety precautions of this booklet carefully before removing the contents of this carton.

1. In certain circumstances electrical appliances may be a safety hazard.
2. This appliance is not intended for use by persons (including children) with reduced physical, sensory or mental capabilities, or lack of experience or knowledge, unless they have been given supervision or instruction concerning the use of the appliance by a person responsible for their safety. Children should be supervised to ensure that they do not play with the appliance.
3. Do not try to use the cooker hood without the grease filters or if the filters are excessively greasy.
4. Do not install above a cooker with a high level grill.
5. Do not disconnect the power supply by pulling on the cable.
6. Do not flambé under the range hood.
7. Avoid free flame, as it may cause damage to the filters and can be a fire hazard.
8. Unplug the appliance before carrying out maintenance, cleaning or replacing lamps.
9. If the power cord is damaged, it must be replaced by the manufacturer, an authorised service centre or similarly qualified persons to avoid a hazard.
10. For indoor use only.
11. It is recommended to operate the range hood prior to cooking.
12. It is recommended to leave the range hood in operation for 15 minutes after cooking is terminated in order to completely eliminate cooking vapours and odours.
13. Turn off the range hood when not in use.
14. Do not use the range hood if it is damaged, especially the supply cord and the case.
15. Do not immerse the range hood in liquid.
16. The exhaust air must not be discharged into a flue which is used for exhausting fumes from an appliance burning gas or other fuels (not applicable to appliances that only discharge the air back into the room).
17. Regulations concerning the discharge of air have to be fulfilled.
18. There shall be adequate ventilation of the room when the range hood is used at the same time as appliances burning gas or other fuels (not applicable to appliances that only discharge the air back into the room).
19. Clean the surface of the cooker hood regularly using a cloth moistened with denatured alcohol or a non-abrasive liquid detergent.
20. There is a fire risk if cleaning is not carried out in accordance with the instructions.
21. The range hood must be mounted at a minimum distance of 65cm above the cooking surface.
22. **CAUTION:** Accessible parts may become hot when used with cooking appliances.
23. **Warning:** Failure to install the screws or fixing device in accordance with these instructions may result in electrical hazards.

APPLIANCE DETAILS

Model	RBES607G, RBES907G
Voltage:	220 – 240V 50Hz
Lamp Max:	2x1.5W, 12Vdc LED
Rated Input Power:	193W

General Information

Before installing and operating the rangehood, carefully read the following important information regarding installation safety and maintenance. Keep this information booklet accessible for further consultations.

The appliance has been designed to exhaust cooking fumes externally. Before installation, please ensure that the following have been supplied and that the tools listed below are readily available.

Disposal Information

- Most of the packaging materials are recyclable. Please dispose of these materials through your local recycling depot or by placing them into appropriate collection containers.
- If you wish to discard this product, please contact your local authorities and ask for the correct method of disposal.

INSTALLATION INSTRUCTIONS

Warning: Failure to install the screws or fixing device in accordance with these instructions may result in electrical hazards.

- Please ensure that all power is switched off before installing the rangehood.
- Installation must be in accordance to the local electrical authority and codes.
- The switched power outlet for the rangehood should be positioned to enable the user to turn the power off, to enable cleaning and any maintenance required.
- The switched power outlet should be installed within 600mm from the rear of the unit.
- Ensure that when installing the rangehood, that it is protected from any possible damage from tools etc.
- Ducting for this unit must be installed in accordance to the local authority.

INSTALLATION (VENT OUTSIDE)

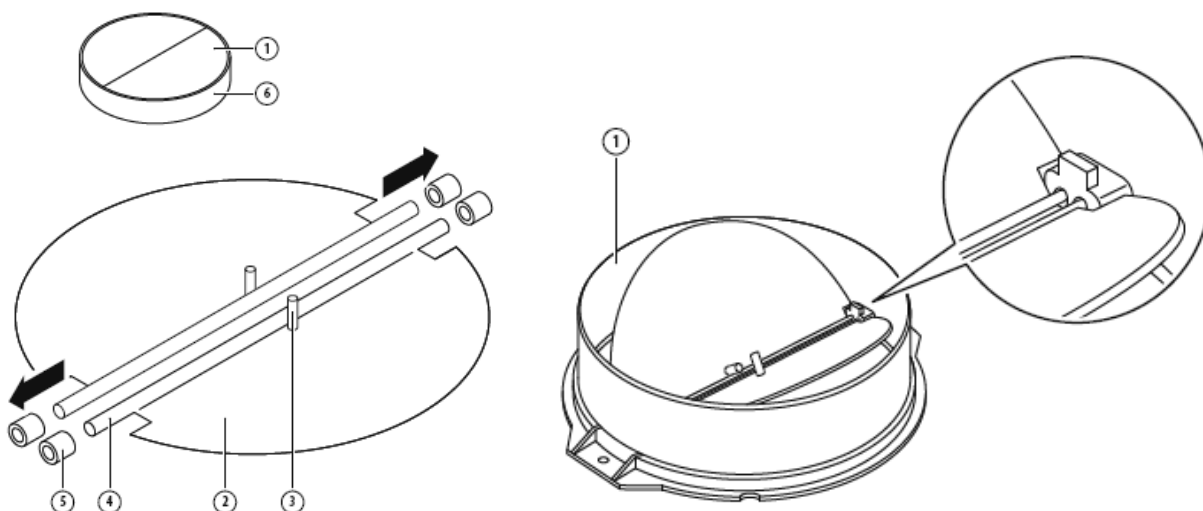
MOUNTING OF THE V-FLAP

If the cooker hood does not have an assembled V-flap 1, you should mount the half-parts to its body. The images only show an example of how to mount the V-flap, because the outlet may vary according to different models and configurations.

To mount the V-flap (#1) you should:

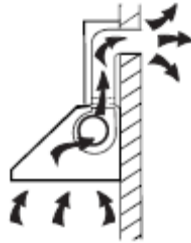
- Mount two half-parts (#2) into the body (#6)
- Pin (#3) should be top oriented.
- The axis (#4) should be inserted into the holes (#5) on the body.

Repeat all the operations for the 2nd half-part.

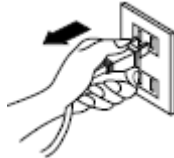


INSTALLATION INSTRUCTIONS

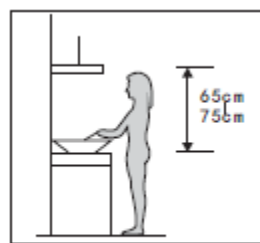
If you have an outlet to the outside, your cooker hood can be connected as below picture by means of an extraction duct (enamel, aluminum, flexible pipe or non-flammable material with an interior diameter of 150mm)



1. Before installation, turn the unit off and unplug it from the outlet.

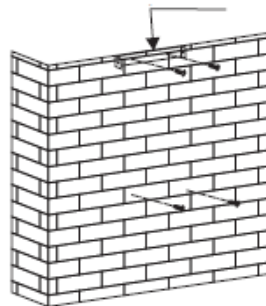


2. The cooker hood should be placed at a distance of 65~75cm above the cooking surface for best effect. See pic 1.



Pic 1

inside chimney bracket

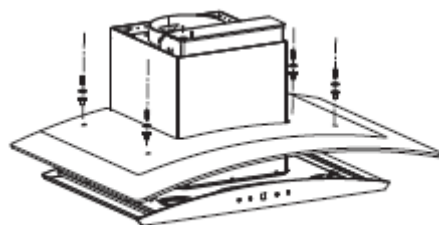


Pic 2

3. After decide the cooker hood height, measure the position of the holes for hanging the hood and inside chimney bracket. Drill 4 pcs $\varnothing 8$ holes, they are for fixing inside chimney bracket and the hood and keep the hood level. The fixed position of the outside chimney bracket is the highest place of outside chimney. See pic 2.
4. Screw 2 pcs of ST4*30mm screws on the wall with wall plugs and then use 2 pcs of ST4*40mm screws to fix the inside chimney bracket. See pic 2.

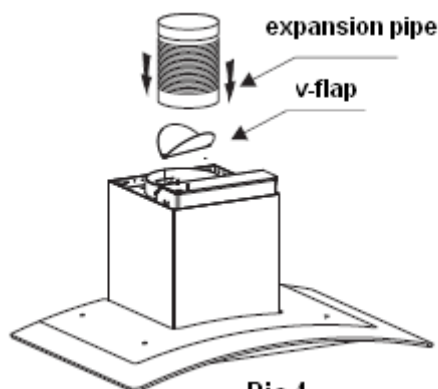
INSTALLATION INSTRUCTIONS

5. Fix the glass onto the cooker hood body with screws, washers and wall plugs. See pic 3.

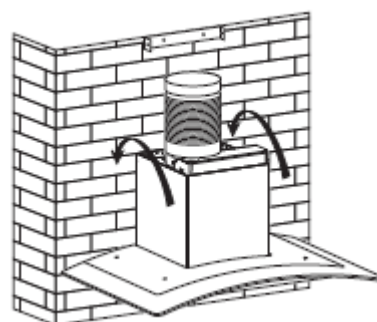


Pic 3

6. Equip the v-flap and expansion pipe to the outlet, and fixed with a cable tie. See pic 3. Put the cooker hood on the wall mounted screws. See pic 4.

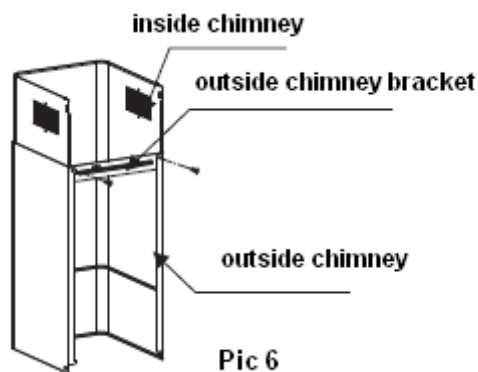


Pic 4

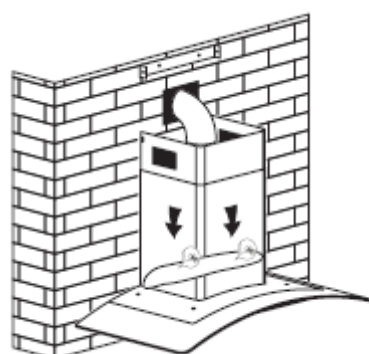


Pic 5

7. Install the outside chimney bracket onto the outside chimney with 2 pcs of ST4*8mm screws, here should be sure the inside chimney can be moved inside freely. See pic 6.
8. After adjust the height, fix the body with 2 pcs of ST4*30mm safety screws. Note: The two safety vents are positioned on the back housing, with a diameter of 6mm. Then put the two chimneys together onto the cooker hood body, also lead the expansion pipe outside of the room. See pic 7.



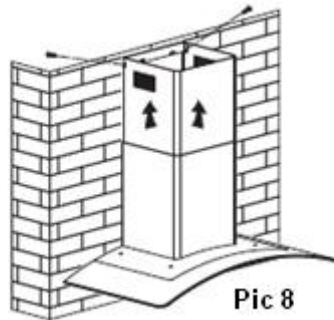
Pic 6



Pic 7

INSTALLATION INSTRUCTIONS

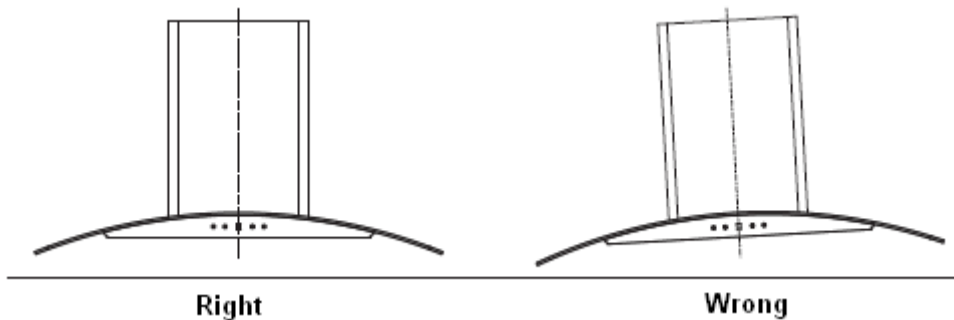
9. Adjust the height of the inside chimney into the suitable height, and fix the inside chimney to the inside chimney bracket with 2 pcs of ST4*8mm screws. See pic 8.



HINTS FOR EXHAUST DUCT INSTALLATION

The following rules must be strictly followed to obtain optimal air extraction:

- Keep expansion pipe short and straight.
- Do not reduce the size or restrict the expansion pipe.
- When using the expansion pipe always install the pipe pulled taut to minimize pressure loss.
- Failure to observe these basic instructions will reduce the performance and increase noise levels of the cooker hood.
- Any installation work must be carried out by a qualified electrician or competent person.
- Do not connect the ducting system of the hood to any existing ventilation system which is being used for any other appliance, such as warmer tube, gas tube, hot wind tube.
- The angle of the bend of the expansion pipe should not be less than 120°; you must direct the pipe horizontally, or, alternatively, the pipe should go up from the initial point and should be led to an outer wall.
- After the installation, make sure that the cooker hood is level to avoid grease collection at one end.
- Ensure the expansion pipe selected for installation complies with relevant standards and is fire retardant.



WARNING:



- For safety reason, please use only the same size of fixing or mounting screws which are recommended in this instruction manual.
- Failure to install the screws or fixing device in accordance with these instructions may result in electrical hazards.

OPERATING INSTRUCTIONS

Push button

- 1) Push the stop button, and the motor will stop.
- 2) Push the low button, and the motor will run at low speed.
- 3) Push the middle button, and the motor will run at mid speed.
- 4) Push the high button, and the motor will run at high speed.
- 5) Push the light button and the two lights will illuminate. Push it again and the light will turn off.



Stop



Low



Mid



High



Lamp

MAINTENANCE AND CLEANING

CAUTION:

- Before maintenance or cleaning is carried out, the cooker hood should be disconnected from the mains power supply. Ensure that the cooker hood is switched off at the wall socket and the plug removed



- External surfaces are susceptible to scratches and abrasions, so follow the cleaning instructions to ensure the best possible result is achieved without damage.

GENERAL

Cleaning and maintenance should be carried out with the appliance cold especially when cleaning. Avoid leaving alkaline or acid substances (lemon juice, vinegar etc.) on the surfaces.

STAINLESS STEEL

The stainless steel must be cleaned regularly (e.g. weekly) to ensure a long life expectancy. Dry with a clean soft cloth. A specialized stainless steel cleaning fluid may be used.

NOTE:

Ensure that wiping is done along with the grain of the stainless steel to prevent any unsightly crisscross scratching patterns from appearing.

CONTROL PANEL SURFACE

The inlay control panel can be cleaned using warm soapy water. Ensure the cloth is clean and well wrung before cleaning. Use a dry soft cloth to remove any excess moisture left after cleaning.

Important

Using neutral detergents and avoid using harsh cleaning chemicals, strong household detergents or products containing abrasives, as this will affect the appearance of the appliance and potentially remove any printing of artwork on the control panel and will void manufactures warrantee.

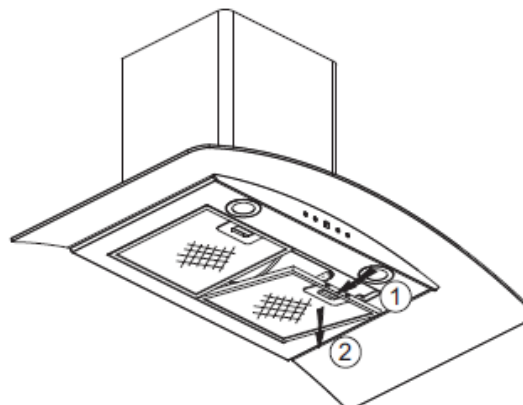
GREASE MESH FILTERS

The mesh filters can be cleaned by hand. Soak them for about 3 minutes in water with a mild detergent and then brush it gently with a soft brush. Do not apply too much pressure so as to avoid any damage to it. (Leave to dry naturally out of direct sun light)

MAINTENANCE AND CLEANING

INSTALLING GREASE MESH FILTERS

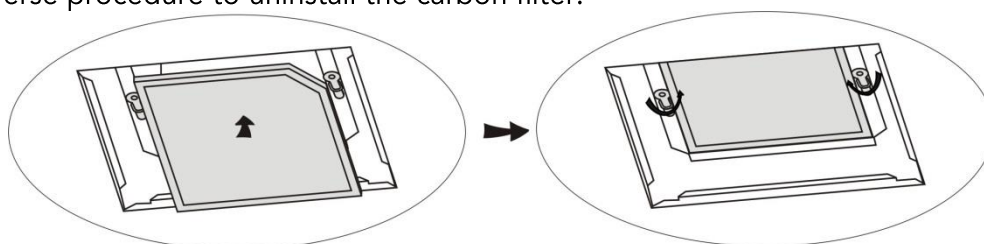
- To install filters for the following four steps:
 - Angle the filter into the slots at the back of the hood.
 - Push the button on the handle of the filter.
 - Release the handle once the filter fits into a resting position.
 - Repeat to install all filters.



CARBON FILTER-not supplied

Activated carbon filter can be used to trap odors. Normally the activated carbon filter should be changed every 3 to 6 months according to your cooking habits. The installation procedure of activated carbon filter is as below:

1. In order to install the activated carbon filter, the metallic anti-grease filter should be detached first. Press the lock and pull it downward.
2. Insert the carbon filter into the rectangular hole, fitting it over the motor.
3. After inserting the front edge of the carbon filter into the slot on the cooker hood. Lower the back edge of the carbon filter, until it clicks into place at the rear of the rectangular hole. Raise the two fixing bars, until they are horizontal over the carbon filter.
4. Place the Al. filter back to position.
5. Apply reverse procedure to uninstall the carbon filter.



NOTE:

- Make sure the filter is securely locked. Otherwise, it would loosen and cause danger. When activated carbon filter attached, the suction power will be lowered

MAINTENANCE AND CLEANING

BULB REPLACEMENT

- The bulb must be replaced by the manufacturer, its service agent or similarly qualified persons.
- Always switch off the electricity supply before carrying out any operations on the appliance. When handling bulb, make sure it has completely cooled down before any direct contact with hands.
- When handling bulbs hold with a cloth or gloves to ensure perspiration does not come in contact with the bulb as this can reduce the life of the bulb.

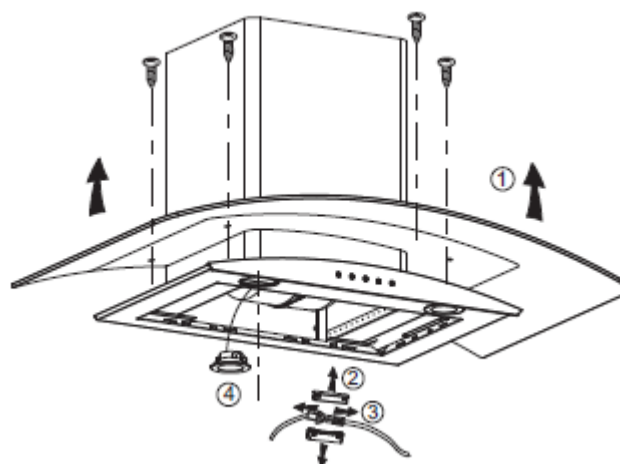
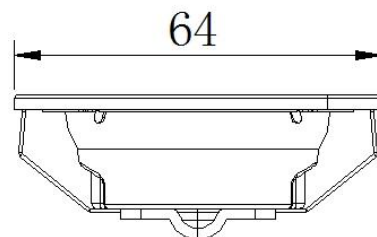
Note:

- Before changing the lights, make sure that the appliance is turned off and unplugged.
- Protect against danger when changing lights, such as wearing gloves.

Changing the lights:

- Remove the grease filter.
- Use a screwdriver to remove the 4pcs screws on the large glass and carefully remove the glass.
- Dismantle the terminal box and slightly pull the light connecting wire out and dismantle the terminal of the light connecting wire. Replace the lamp.
- Apply the reverse procedure to install the light back.

- ILCOS D code for this lamp is: DBR-1.5/65-H-64
 - LED modules – round lamp
 - Max wattage: 2×1.5 W
 - Voltage range: AC 220-240V
 - Dimensions:



TROUBLESHOOTING

Fault	Possible Cause	Solution
Light on, but motor does not work	Fan switch turned off	Select a fan switch position.
	Fan switch failed	Contact service center.
	Motor failed	Contact service center.
Light does not work, motor does not work	House fuses blown	Reset/Replace fuses.
	Mains power cable is loose or disconnected	Refit mains power cable to power outlet. Switch power outlet on.
Oil leakage	One way valve and the outlet are not tightly sealed	Take down the one way valve and seal with sealant.
	Leakage from the connection of chimney and cover	Take chimney down and seal.
Lights not working	Broken or faulty bulbs	Replace bulbs as per this instruction.
Insufficient suction	The distance between the cooker hood and the gas top is too far	Refit the cooker hood to the correct distance.
The Cooker hood inclines	The fixing screw is not tight enough	Tighten the hanging screw and make it horizontal.



NOTE:

Any electrical repairs to this appliance must conform to your local, state and federal laws. Please contact the service centre if in any doubt before undertaking any of the above. Always disconnect the unit from the power source when opening the unit.

NEW ZEALAND PRODUCT WARRANTY

EVERDURE STATEMENT OF STANDARD WARRANTY CONDITIONS

NEW ZEALAND CUSTOMERS

Nothing here in contained shall be construed in any way as excluding or limiting your rights under the Consumer Guarantee Act 1993.

OUR WARRANTY

Subject to the following conditions, this product is also covered by the manufacturer's **FIVE (5) YEAR WARRANTY from the date of purchase, covering all parts and labour (Our Warranty)**. Our Warranty (which is subject to the conditions below) covers rectification free of charge of any fault arising from defective materials or components, or faulty workmanship. The product will be repaired or replaced at the option of Everdure. Our Warranty is subject to the product being used for single family domestic household use.

Our Warranty operates in addition to (and does not exclude, restrict or modify) any rights or remedies to which you may already be entitled to under the New Zealand Consumer Law or any consumer guarantees law relating to this product.

Warranty applies to goods supplied and installed for Domestic Operation in the North and South Islands of New Zealand. Warranty does not cover costs of transport, travel distance (km - including time) if the product is located beyond 30km of an Authorised Service Agent

WHAT IS COVERED BY OUR WARRANTY

During the warranty period, Everdure or an Authorised Service Centre will at no charge, being the appliance is readily accessible without the need of special equipment or likelihood of damage to cabinetry, flooring or structures and subject to the terms and conditions of this warranty, repair or replace any parts which it considers defective.

WHAT IS NOT COVERED BY OUR WARRANTY:

1. Any failure caused by the product not being used in accordance with the instruction and installation manual provided with the product.
2. Incomplete or improper installation, including non-compliance with the electrical, gas, plumbing and all Local Regulations, Codes of Practice or National Standards of New Zealand.
3. If the product is not used in normal domestic use, or if it is used in a business as defined in the Consumer Guarantees Act.
4. Any costs associated with the repair, replacement, removal or re-installation of products installed damaged
5. Damage which occurs during delivery or installation.
6. Service calls related to instruction on how to use the product including no manufacturing fault found.
7. Unauthorised repairs or use of non-genuine Everdure parts.
8. Normal wear and tear e.g. cleaning, light globes, filters etc.
9. Any damage or breakage to glass items.
10. Failure resulting from power surges, electrical storms or limits outside the normal operating range for voltages and frequencies for domestic appliances in New Zealand
11. Insect or vermin infestation.
12. Damage caused from misuse, neglect, negligence, abuse or willful act, including failure to properly maintain or service.
13. The clearing of blockages in pumps and hoses.
14. Claims to product surface coating due to liquid or solid spill-overs, accidental damage or damage from cleaning products not recommended by Everdure.

HOW TO CLAIM OUR WARRANTY

Please refer to our website address below for Everdure in New Zealand to register your warranty online. If you are contacting Everdure regarding any warranty claims and spare part enquiries, please make sure you have the following information on hand:

1. Product Name/Model Number
2. Serial Number
3. Purchase Date (as per invoice, or proof of purchase)
4. Purchased from
5. Warranty Registration Number

All Warranty Claims and Spare Parts Inquiries:

In New Zealand:
Telephone (09) 415 6000

A division of Monaco Corporation 231 Bush Rd, Albany, North Shore City, Auckland, NZ 0632

NEW ZEALAND: (09) 415 6000
www.everdure.co.nz

IM Ref: RBES607G/907G – 04/2023/02

FOR INDOOR USE ONLY

EVERDURE.