

# Mondella

ROCOCO  
SQUARE FLAIR

## ROCOCO

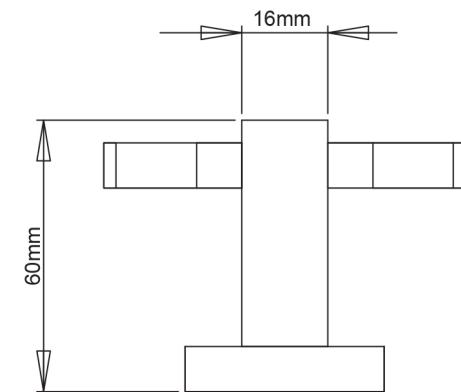
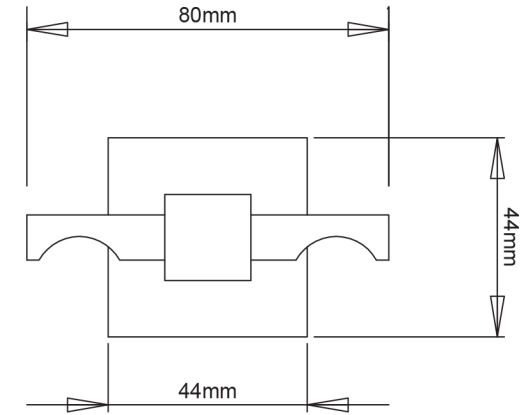
### MATTE BLACK DOUBLE ROBE HOOK

Metal construction

Item Number: 0115745  
MON0666

# 10 YEAR WARRANTY\*

0115745-FLV1  
18/06/19



\* refer to [www.mondella.com.au](http://www.mondella.com.au) for full warranty details

All dimensions in millimetres (mm) and subject to manufacturing tolerances.