

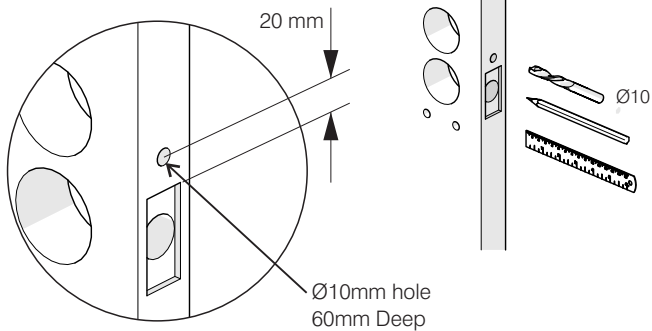
Door Position Sensor Installation - Connected Gainsborough Freestyle only

IMPORTANT : Remove Internal and External lockset escutcheons from the door prior to installation. Latch can remain in the door.

Step 1:

Prepare Door

Drill a $\text{\O}10\text{mm}$ hole to a depth of **60mm** in the side of the door as shown.

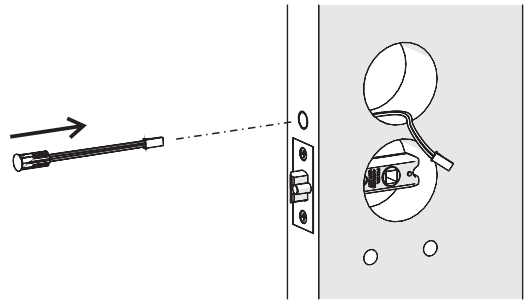


Step 2:

Install Door Position Sensor in Door

Insert Door Position Sensor cable through the $\text{\O}10\text{mm}$ hole. Extend it through the $\text{\O}54\text{mm}$ hole.

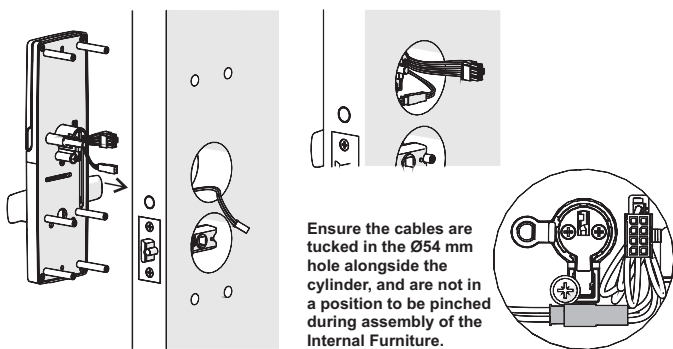
Firmly press the magnet housing into the door edge until the front face is flush with the door edge.



Step 3:

Connect Door Position Sensor

Connect Door Position Sensor cable to plug on the Main cable



Step 4:

Install Door Position Magnet

Establish position of magnet such that it aligns with Sensor in door.

Drill a $\text{\O}10\text{mm}$ hole for the Door Position Magnet and fit magnet as shown.

