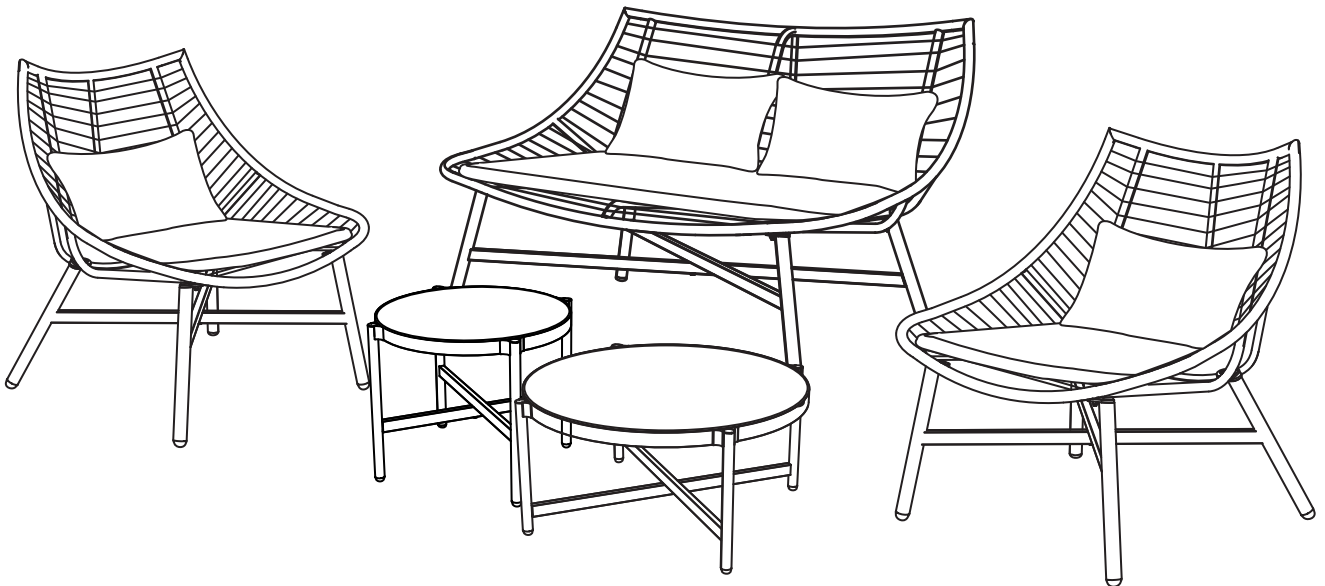
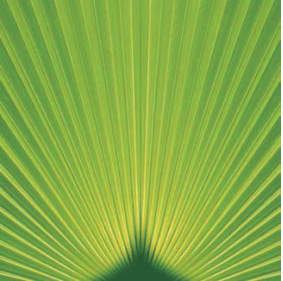


ALUMINUM 5PC HELSINKI RATTAN SETTING ASSEMBLY INSTRUCTIONS Item No. 0352947 / 0352948



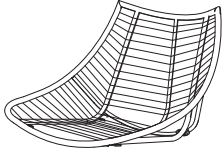



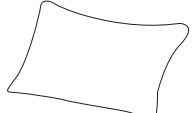
READ & SAVE BELOW INSTRUCTIONS BEFORE ASSEMBLY

1. PLEASE SEPARATE AND IDENTIFY ALL PARTS, MAKING SURE THAT YOU HAVE ALL OF THE PARTS LISTED.
2. TO AVOID ANY SCRATCHES DURING ASSEMBLY, ASSEMBLE ON A SOFT MAT OR SIMILAR.
3. ASSEMBLE STEP BY STEP FOLLOWING THE INSTRUCTIONS.
4. WASHERS MUST BE USED.
5. DURING ASSEMBLY DO NOT OVER FASTEN SCREWS & NUTS.
6. DO NOT COMPLETELY TIGHTEN EACH SCREW AND NUT UNTIL THEY ARE ALL FIXED IN PLACE.






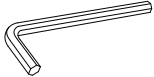




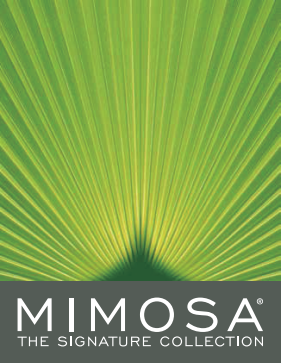
MIMOSA
THE SIGNATURE COLLECTION

PARTS LIST

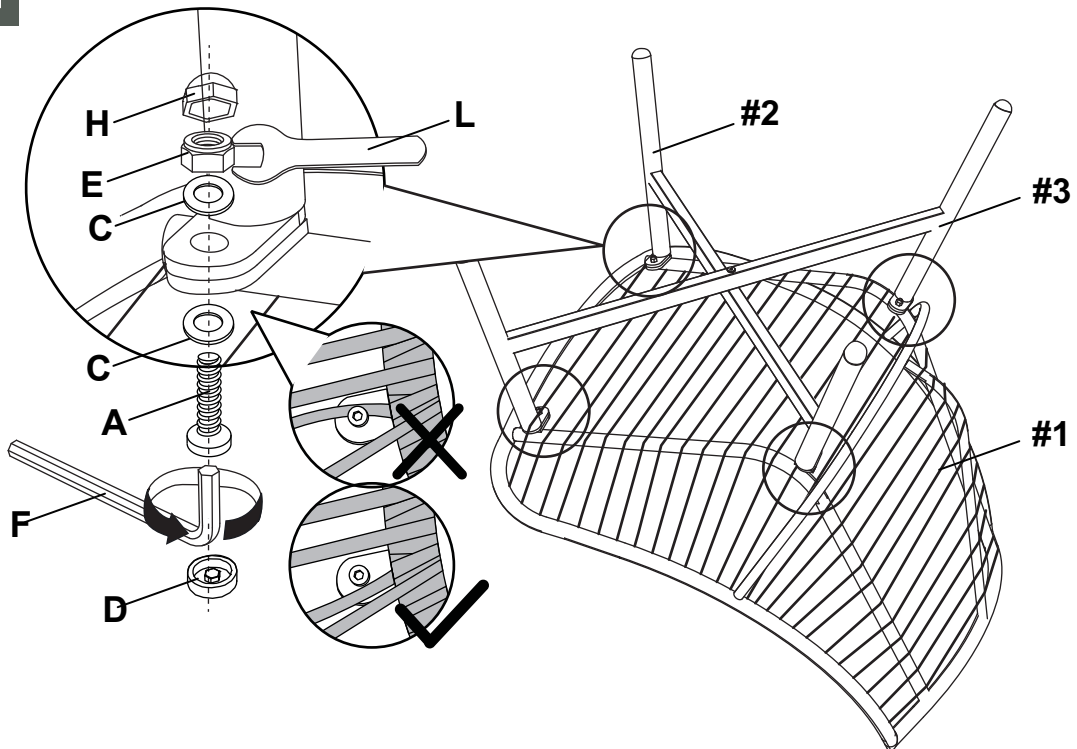
CODE	PARTS	QTY.
#1	 Seat	1PC
#2	 Leg	1PC
#3	 Leg	1PC
#4	 Seat Cushion	1PC
#5	 Pillow	1PC

HARDWARE LIST

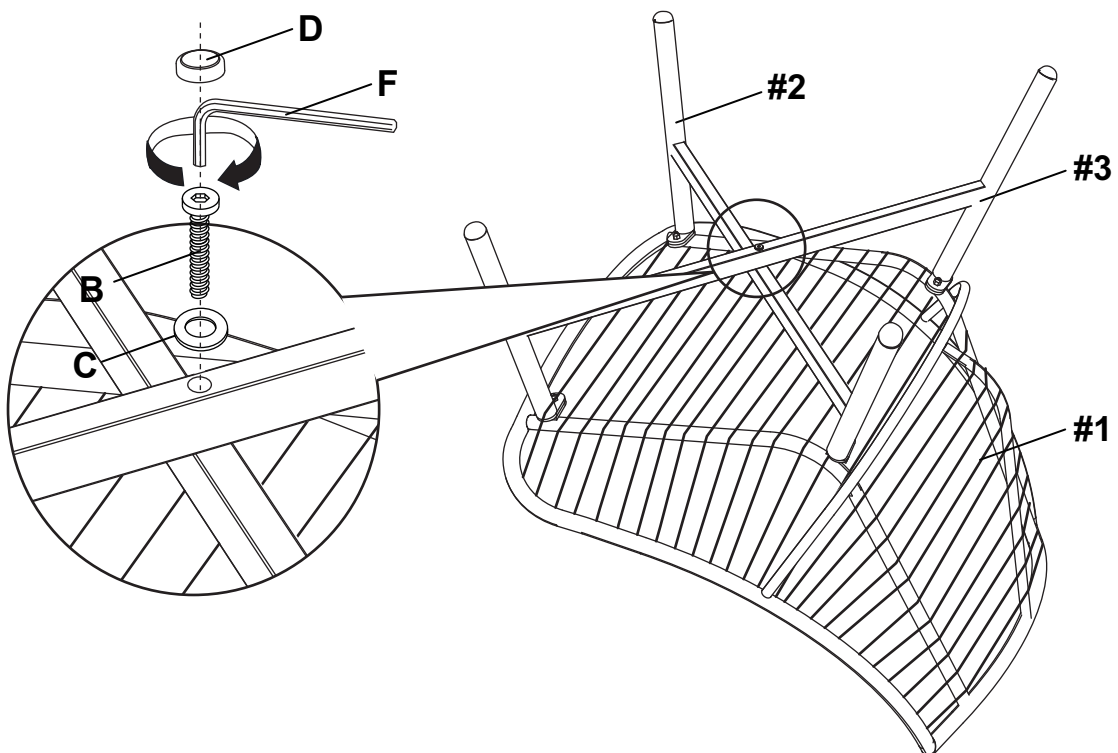
CODE	PARTS		QTY.
A		Bolt	4PCS
B		Bolt	1PC
C		Washer	9PCS
D		Cap	5PCS
E		Nut	4PCS
F		Allen Key	1PC
G		Wrench	1PC
H		Cap	4PCS

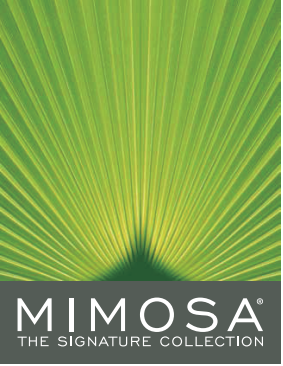


- 1 Use Allen Key (F) and wrench (G) to fix legs (#2) to seat (#1) with bolt (A), nut (E) and washers (C). Cover with cap (D&H).

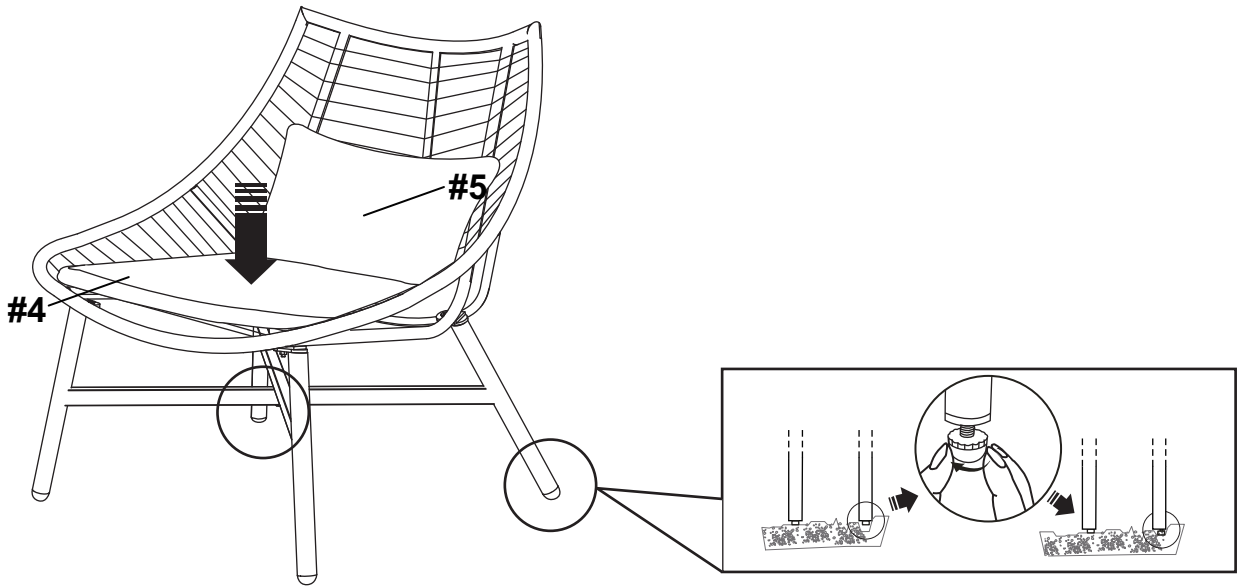


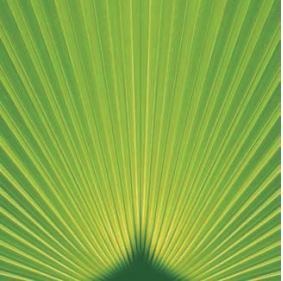
- 2 Use Allen Key (F) to fix chair legs (#2) together with bolt (B) and washer (C). Cover with cap (D).






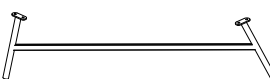


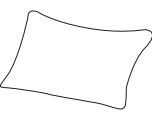
- 3 Put seat cushion (#4) and pillows (#5) on chair.
And now your chair is ready to use.

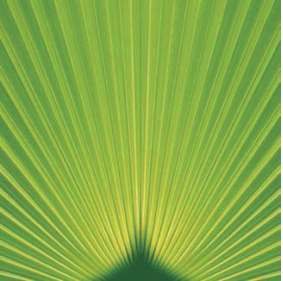





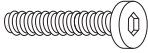


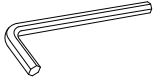
MIMOSA
THE SIGNATURE COLLECTION

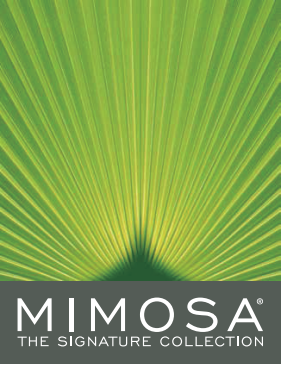
PARTS LIST

CODE	PARTS	QTY.
#1	 Seat	1PC
#2	 Leg	1PC
#3	 Leg	1PC
#4	 Seat cushion	1PC
#5	 Pillow	2PCS

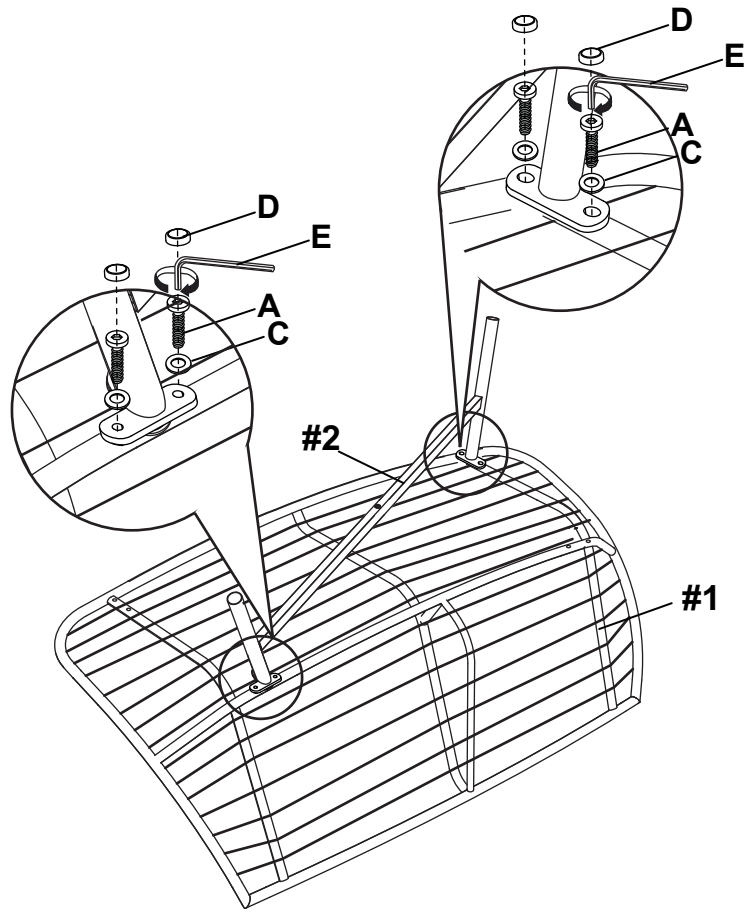


HARDWARE LIST

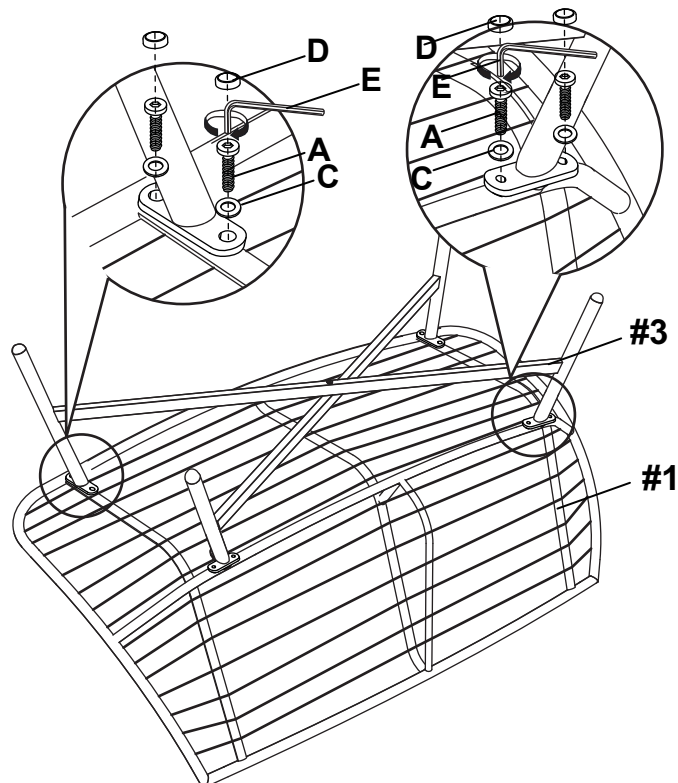
CODE	PARTS	QTY.
A	 Bolt	8PCS
B	 Bolt	1PC
C	 Washer	9PCS
D	 Cap	9PCS
E	 Allen Key	1PCS

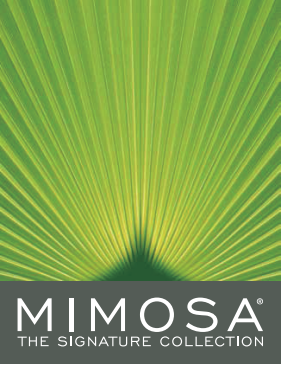


- 1 Use Allen Key (E) to fix leg (#2) to seat (#1) with bolt (A) and washer (C). Cover with cap (D).

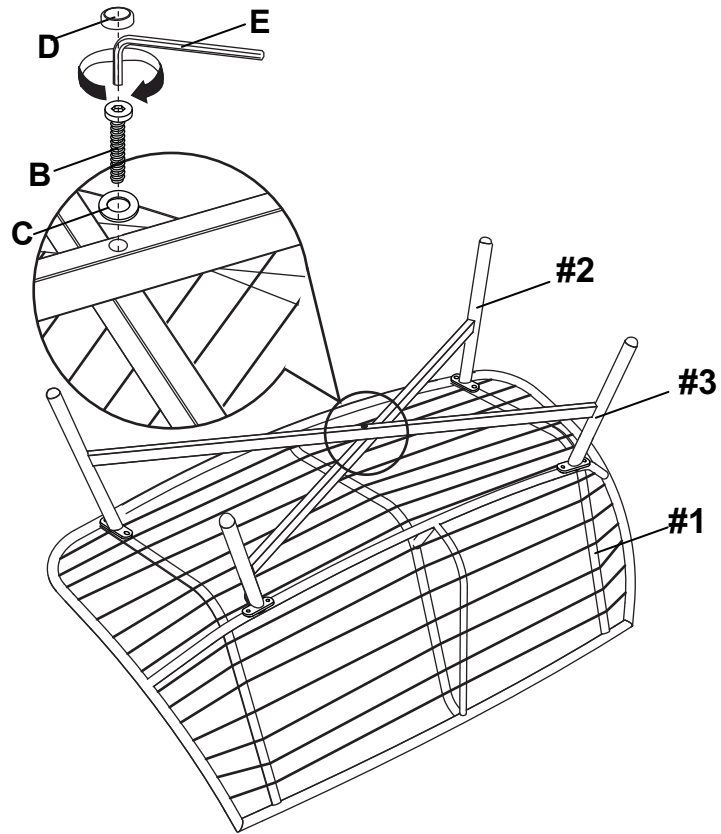


- 2 Repeat step 1 to fix another leg (#3) to seat (#1).





- 3 Use Allen Key (E) to fix chair legs (#2) together with bolt (B) and washer (C). Cover with cap (D).



- 4 Put seat cushion (#4) and pillows (#5) on chair and now your chair is ready to use.

