

# AEG

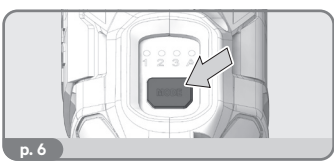
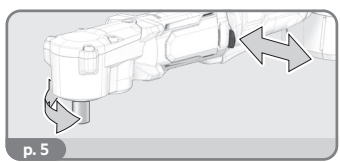
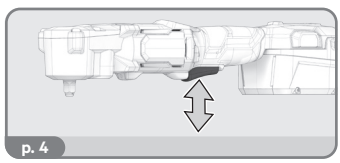
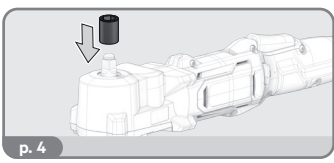
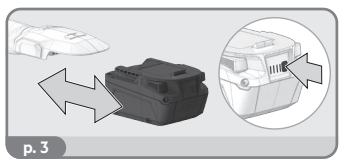
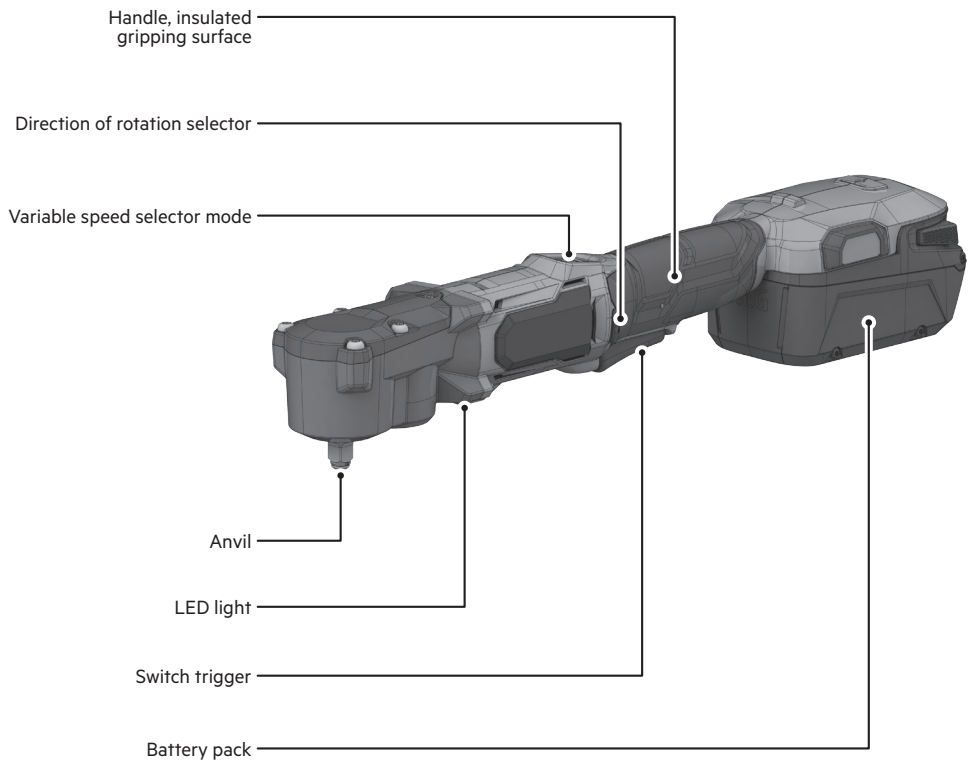
**A18SRIW12B**  
**A18SRIW38B**

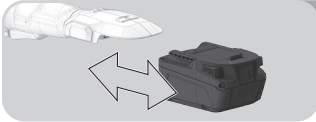
Original instructions

## **Important!**

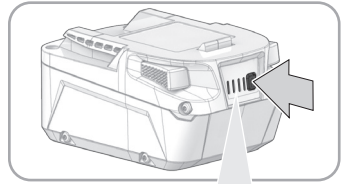
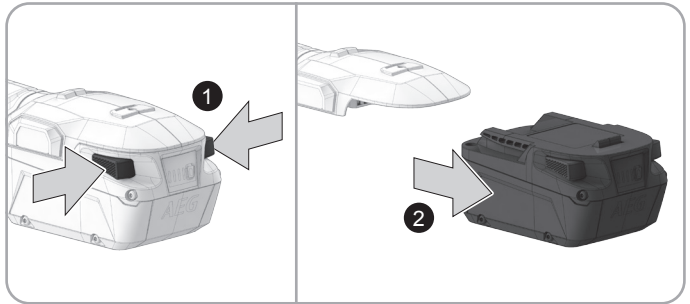
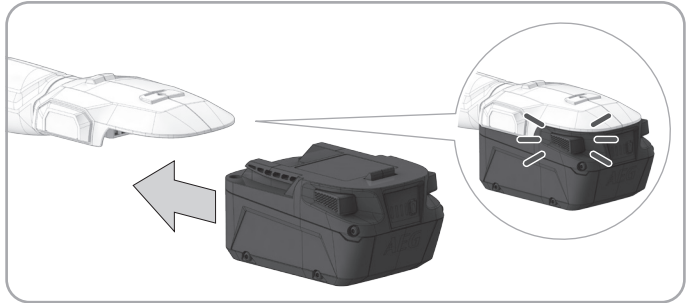
It is essential that you read the instructions in this manual before assembling, operating, and maintaining the product.

Subject to technical modifications.

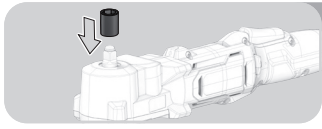




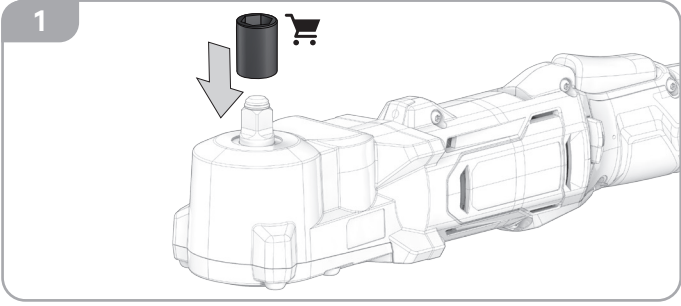
Remove the battery pack before starting any work on the product.



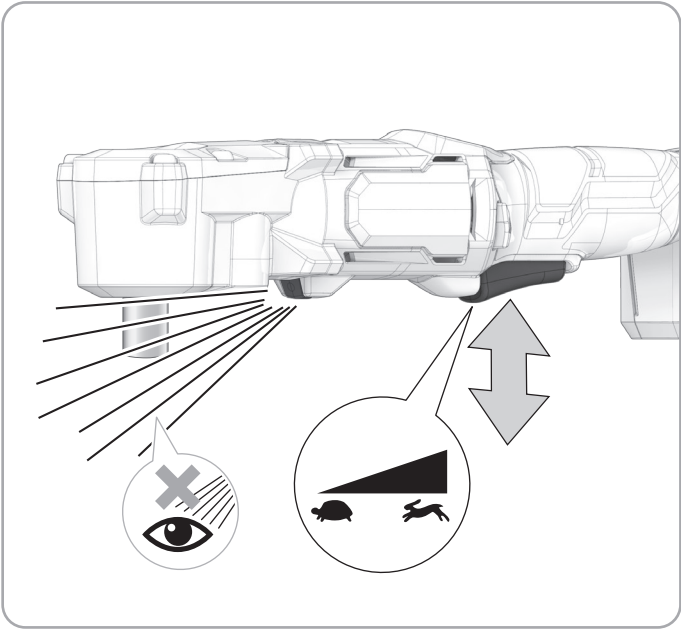
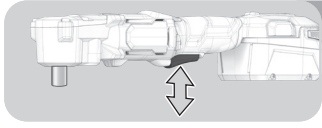
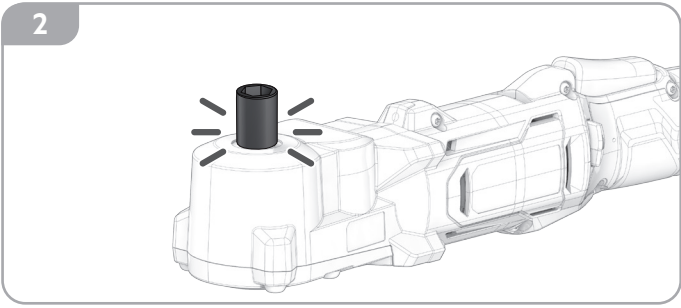
	75-100 %
	50-75 %
	25-50 %
	0-25 %

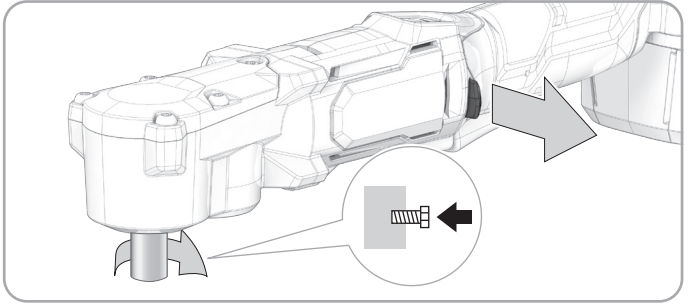
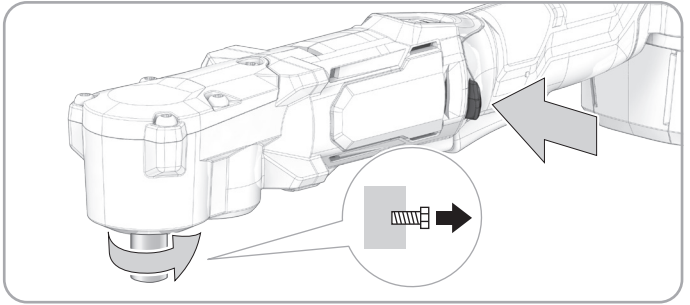
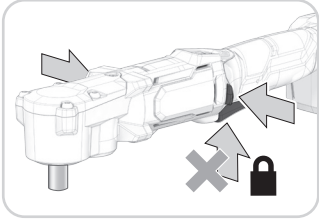
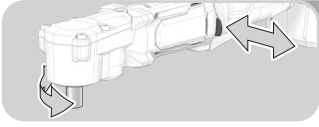


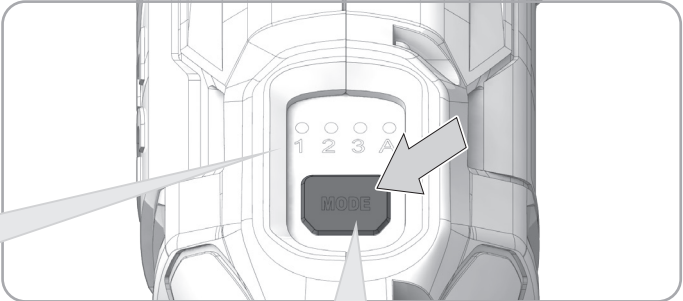
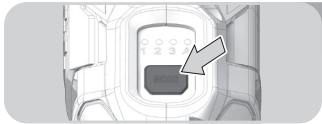
1



2







- 1 = 0-1600 min<sup>-1</sup>
- 2 = 0-2400 min<sup>-1</sup>
- 3 = 0-3200 min<sup>-1</sup>
- A = 0-2100 min<sup>-1</sup>

The "A" function is designed to give the user greater control in application and reduce damage to the fastener or work surface by automatically shutting the tool off after the tool senses the mechanism impacting for approximately one second.



TECHNICAL DATA	A18SRIW12B	A18SRIW38B
Type	Cordless right angle impact wrench	Cordless right angle impact wrench
Battery voltage	18 V	18 V
No-load speed		
Speed 1	0-1600 min <sup>-1</sup>	0-1600 min <sup>-1</sup>
Speed 2	0-2400 min <sup>-1</sup>	0-2400 min <sup>-1</sup>
Speed 3	0-3200 min <sup>-1</sup>	0-3200 min <sup>-1</sup>
A-mode	0-2100 min <sup>-1</sup>	0-2100 min <sup>-1</sup>
Impacts per minute	0-3400 min <sup>-1</sup>	0-3300 min <sup>-1</sup>
Max. torque*	282 Nm	291 Nm
Max. breakaway torque	329 Nm	427 Nm
Weight without battery pack	1.41 kg	1.40 kg
Recommended ambient operating temperature	-18...+50 °C	-18...+50 °C
Noise/Vibration Information		
Measured values determined according to EN 62841		
A-weighted sound pressure level (Uncertainty K=3 dB(A))	93.0 dB (A)	93.0 dB (A)
A-weighted sound power level (Uncertainty K=3 dB(A))	101.0 dB (A)	101.0 dB (A)
Wear ear protection!		
Total vibration values (vector sum in the three axes) determined according to EN 62841		
<b>Screw driving</b>	$a_h = 18.7 \text{ m/s}^2$	$a_h = 18.7 \text{ m/s}^2$
Uncertainty	$K = 1.5 \text{ m/s}^2$	$K = 1.5 \text{ m/s}^2$

#### **WARNING!**

The declared vibration total values and the declared noise emission values given in this instruction manual have been measured in accordance with a standardised test given in EN 62841 and may be used to compare one tool with another. They may be used for a preliminary assessment of exposure.

The declared vibration and noise emission values represent the main applications of the tool. However, if the tool is used for different applications, used with different accessories, or poorly maintained, the vibration and noise emission may differ. These conditions may significantly increase the exposure levels over the total working period.

An estimation of the level of exposure to vibration and noise should take into account the times when the tool is turned off or when it is running idle. These conditions may significantly reduce the exposure level over the total working period.

Identify additional safety measures to protect the operator from the effects of vibration and noise, such as maintaining the tool and the accessories, keeping the hands warm, and organising work patterns.



## COMPATIBLE BATTERY PACKS (NOT INCLUDED)

L1820R	A18B4	L1860R
L1820S	L1840R	L1860R-X5
A18FB2	A18FB4	L1890R
L1825R	L1850R	
L1830R-X5	A18FB5	

Use AEG 18V battery and charger only

**⚠ WARNING! Read all safety warnings, instructions, illustrations and specifications provided with this power tool.** Failure to follow all instructions listed below may result in electric shock, fire, and/or serious injury.

Save all warnings and instructions for future reference.

## RIGHT ANGLE IMPACT WRENCH SAFETY WARNINGS

Hold the power tool by insulated gripping surfaces, when performing an operation where the cutting accessory or fasteners may contact hidden wiring. Fasteners contacting a "live" wire may make exposed metal parts of the power tool "live" and could give the operator an electric shock.

Ambient temperature range for tool during operation is between 0°C and 40°C.

Ambient temperature range for tool storage is between 0°C and 40°C.

The recommended ambient temperature range for the charging system during charging is between 10°C and 38°C.

## ADDITIONAL SAFETY AND WORKING INSTRUCTIONS

Use protective equipment. Always wear safety glasses when working with the product. The use of protective clothing is recommended, such as dust mask, protective gloves, sturdy non-slip footwear, helmet and ear defenders.

The dust produced when using this product may be harmful to health. Do not inhale the dust. Wear a suitable dust protection mask.

Do not machine any materials that present a danger to health (e.g. asbestos).

Do not direct the light beam at persons or animals and do not stare into the light beam yourself (not even from a distance). Staring into the light beam may result in serious injury or vision loss.

The product is not waterproof. Do not submerge in liquid. Failure to heed this warning could result in serious personal injury.

Switch the product off immediately if the accessory stalls! Do not switch the device on again while the accessory is stalled, as doing so could trigger a sudden recoil with a high reactive force. Determine why the accessory stalled and rectify this, paying heed to the safety instructions.

The possible causes may be:

- it is tilted in the workpiece to be machined
- it has pierced through the material to be machined
- the power product is overloaded

Do not reach into the product while it is running. The accessory may become hot during use.

**⚠ WARNING! Danger of burns**

- when changing products
- when setting the device down

Chips and splinters must not be removed while the product is running.

When working in walls ceiling, or floor, take care to avoid electric cables and gas or waterpipes.

Clamp your workpiece with a clamping device. Unclamped workpieces can cause severe injury and damage.

Remove battery pack before storing or transporting the product.

## ADDITIONAL BATTERY SAFETY WARNINGS

**⚠ WARNING!** To reduce the risk of fire, personal injury, and product damage due to a short circuit, never immerse your tool, battery pack or charger in fluid or allow a fluid to flow inside them. Corrosive or conductive fluids, such as seawater, certain industrial

chemicals, and bleach or bleach containing products, etc., can cause a short circuit.

Remove the battery pack before starting any work on the product.

Do not dispose of used battery packs in the household refuse or by burning them. AEG Distributors offer to retrieve old batteries to protect our environment.

Do not store the battery pack together with metal objects (short circuit risk).

Use only System AEG chargers for charging System AEG battery packs. Do not use battery packs from other systems.

Never break open battery packs and chargers and store only in dry rooms. Keep dry at all times.

Battery acid may leak from damaged batteries under extreme load or extreme temperatures. In case of contact with battery acid wash it off immediately with soap and water. In case of eye contact rinse thoroughly for at least 10 minutes and immediately seek medical attention.

No metal parts must be allowed to enter the battery section of the charger (short circuit risk).

Check with the forwarding company for further advice.

## RESIDUAL RISKS

Even when the product is used as prescribed, it is still impossible to completely eliminate certain residual risk factors. The following hazards may arise and the operator should pay special attention to avoid the following:

- Injury caused by vibration
  - Hold the product by designated handles and restrict working time and exposure.
- Exposure to noise can cause hearing injury
  - Wear ear protection and limit exposure.
- Injury due to flying debris
  - Wear eye protection, heavy long trousers, gloves and substantial footwear at all times.
- Inhalation of toxic dusts
  - Wear respiratory protection masks containing filters appropriate to the materials being worked.
  - Ensure adequate workplace ventilation.
  - Do not eat, drink or smoke in the work area.

## RISK REDUCTION

It has been reported that vibrations from handheld products may contribute to a condition called Raynaud's Syndrome in certain individuals. Symptoms may include tingling, numbness and blanching of the fingers, usually apparent upon exposure to cold. Hereditary factors, exposure to cold and dampness, diet, smoking and work practices are all thought to contribute to the development of these symptoms. There are measures that can be taken by the operator to possibly reduce the effects of vibration:

- Keep your body warm in cold weather. When operating the unit wear gloves to keep the hands and wrists warm. It is reported that cold weather is a major factor contributing to Raynaud's Syndrome.
- After each period of operation, exercise to increase blood circulation.
- Take frequent work breaks. Limit the amount of exposure per day.

If you experience any of the symptoms of this condition, immediately discontinue use and see your doctor about these symptoms.

**⚠ WARNING!** Injuries may be caused or aggravated by prolonged use of a product. When using any product for prolonged periods, ensure you take regular breaks.

## SPECIFIED CONDITIONS OF USE

The right angle impact wrench is intended for fastening and loosening bolts and nuts.

Do not use the product for any other purpose.

## BATTERIES

Battery packs which have not been used for some time should be recharged before use.

Temperatures in excess of 50°C (122°F) reduce the performance of the battery pack. Avoid extended exposure to heat or sunshine (risk of overheating).

The contacts of chargers and battery packs must be kept clean.

For an optimum life-time, the battery packs have to be fully charged, after used.

To obtain the longest possible battery life remove the battery pack from the charger once it is fully charged.

### For battery pack storage longer than 30 days:

- Store the battery pack where the temperature is below 27°C and away from moisture.
- Store the battery packs in a 30% - 50% charged condition.
- Every six months of storage, charge the pack as normal.

## TRANSPORTING LITHIUM BATTERIES

Lithium-ion batteries are subject to the Dangerous Goods Legislation requirements.

Transportation of those batteries has to be done in accordance with local, national and international provisions and regulations.

- The user can transport the batteries by road without further requirements.
- Commercial transport of Lithium-Ion batteries by third parties is subject to Dangerous Goods regulations. Transport preparation and transport are exclusively to be carried out by appropriately trained persons and the process has to be accompanied by corresponding experts.

When transporting batteries:

- Ensure that battery contact terminals are protected and insulated to prevent short circuit.
- Ensure that battery pack is secured against movement within packaging.
- Do not transport batteries that are cracked or leak.

Check with forwarding company for further advice.

## BATTERY PACK PROTECTION

The battery pack has overload protection that protects it from being overloaded and helps to ensure long life. Under extreme stress the battery electronics switch off the battery-lamp automatically. To restart, switch the battery-lamp off and then on again. If the battery-lamp does not start up again, the battery pack may have discharged completely. In this case it must be recharged in the battery charger.

## MAINTENANCE

The ventilation slots of the product must be kept clear at all times.

Avoid using solvents when cleaning plastic parts. Most plastics are susceptible to various types of commercial solvents and may be damaged by their use. Use clean cloths to remove dirt, carbon dust, etc.

Use only AEG accessories and AEG spare parts. Should components need to be replaced which have not been described, please contact one of our AEG service agents (see our list of guarantee/service addresses).

If needed, an exploded view of the tool can be ordered. Please state the Article No. as well as the product type printed on the label and order the drawing at your local service agents or directly at:








### Techtronic Industries Australia Pty Ltd

PO Box 1065  
Mount Waverley VIC 3149  
Tel. no. 1300 234 797  
Australia

### Techtronic Industries N.Z. Limited

PO Box 12-806  
Penrose AUCKLAND 1642  
Tel. no. 0800 234 797(0800 AEGPWR)  
New Zealand

## SYMBOLS

	Safety alert
V	Volts
	Direct current
min <sup>-1</sup>	Revolutions or reciprocations per minute
$n_0$	No-load speed
	Regulatory Compliance Mark (RCM). Product meets applicable regulatory requirements.
	Remove the battery pack before starting any work on the product.
	Please read the instructions carefully before starting the product.
	Hot surface
	Do not dispose of waste batteries, waste electrical and electronic equipment as unsorted municipal waste. Waste batteries and waste electrical and electronic equipment must be collected separately.
	Waste batteries, waste accumulators, and light sources have to be removed from the equipment.
	Check with your local authority or retailer for recycling advice and collection point.
	According to local regulations, retailers may have an obligation to take back waste batteries and waste electrical and electronic equipment free of charge.
	Your contribution to the reuse and recycling of waste batteries and waste electrical and electronic equipment helps to reduce the demand of raw materials.
	Waste batteries, in particular containing lithium, and waste electrical and electronic equipment contain valuable and recyclable materials, which can adversely impact the environment and the human health if not disposed of in an environmentally compatible manner.
	Delete personal data from waste equipment, if any.



# AEG

[www.aegpowertools.com.au](http://www.aegpowertools.com.au)  
[www.aegpowertools.co.nz](http://www.aegpowertools.co.nz)

**Techtronic Industries Australia Pty Ltd**

31 Gilby Road, Mount Waverley,  
VIC, 3149, Australia

**Techtronic Industries N.Z. Limited**

Unit C, 70 Business Parade South,  
Highbrook, Auckland 2013, New Zealand

961006086-01C

*AEG is a registered trade mark used under  
license from AB Electrolux (publ).*