



**Specialist Disability
Accommodation (SDA)
High Physical Support
Design Product Solutions**



Your partner for Specialist Disability Accommodation (SDA) solutions

The Bunnings Commercial team is here to service you from the front gate to the back fence. We are committed to bringing you the most trusted brands that specialise in products tailored specifically for individuals living with a disability and supportive of Specialist Disability Accommodation (SDA). Across all building stages we've got you covered for your SDA High Physical Support projects.

With over 130 years of supplying building and hardware solutions, Bunnings can supply everything from timber frames and trusses, to flooring, joinery, kitchens, appliances, commercial grade windows, façades, plumbing, lighting and more to cover all elements of an SDA High Physical Support design. We're much more than a supplier, we're your partner. In addition to all the specialist products required for an SDA build.

- ✔ Foundations and Footings
- ✔ Heating, Cooling and Ventilation
- ✔ Windows
- ✔ Hot Water solutions
- ✔ External Cladding
- ✔ Outdoor Timber
- ✔ Roofing
- ✔ Fencing
- ✔ Insulation
- ✔ Fasteners and Fixings

© Bunnings Group Limited August 2024

The information contained in this publication is intended for qualified and experienced building professionals, is of a general nature, and draws information from the NDIS Specialist Disability Accommodation Design Standard (Edition 1.1 Issue Date 25 October 2019) as a guide only. See below for details. It does not take into account individual circumstances, objectives or applicable requirements at law or otherwise. You should not act on the basis of or rely on this information without checking that the information is still current, satisfying yourself the solutions and products proposed meet your or your client's specific needs and where applicable, obtaining advice from a suitably qualified professional. Any claims of product compliance, including with respect to the applicable Australian Standards or suitability in terms of meeting the NDIS Specialist Disability Accommodation Design Standard have been provided by our product suppliers and have not been independently verified by Bunnings. Installation is your responsibility unless Bunnings agrees to supply and manage installation for applicable products, such as joinery and flooring. Photos used in this publication are for illustrative purposes only and products that are available for sale may vary. Some products listed may not be available for immediate purchase.

The NDIS Specialist Disability Accommodation Design Standard (Edition 1.1 Issue Date 25 October 2019 www.ndis.gov.au/sda) licensed by the National Disability Insurance Agency (NDIA) under a Creative Commons Attribution 4.0 International Licence CC BY 4.0 has been used in the creation of this publication. The information in this publication is considered accurate at the time of publishing.



Member of the SDA Alliance



As a national peak body, the SDA Alliance represents SDA market participants across the country. We aim to drive better housing outcomes for people with disability that enhance independence, wellbeing, and quality of life. Our members include SDA providers, institutional investors, developers, builders, financial institutions, allied health professionals and industry consultants. Our members make a significant impact on the lives of people with disability- by providing housing that is safe, innovative and designed to serve the the needs of SDA participants.

Leading Brands



Established in 2009, Fienza is a leading Australian brand that aims to be known for beautiful, quality products that are backed by industry leading warranties. They provide a range of functional and stylish solutions for bathroom accessibility, offering a broad selection of products meeting crucial AS 1428.1 requirements. Choose from a variety of finishes to create an elegant and sophisticated bathroom space with Fienza products.



Livigy have developed Bunnings exclusive packages of Smart Assistive Technology to cater to various needs, offering scalability and adaptability. From basic setups for essential assistance to advanced systems for enhanced support and automation, their products can be seamlessly integrated and upgraded. Each pack is sold pre-configured, with 24/7 phone support for remote commissioning and available installation services for a hassle-free setup.





Environmental, Social and Governance at Bunnings

Responsible sourcing

At Bunnings, we're committed to ensuring the products we sell, come from legal and sustainable operations, with good working conditions and fair treatment of people. As such, we continue to pursue sustainability by striving to make them socially responsible, environmentally aware and economically viable.

Sustainability

We are also committed to helping customers live more sustainably, and we are proud of the role we play in supporting local communities to make a positive difference. We recognise that our business plays an important role in reducing carbon emissions and addressing climate change. We have a comprehensive roadmap in place to reduce our energy consumption and to transition towards using more renewable energy sources.

In our Community

Bunnings is committed to participating in the communities in which we operate by contributing to local, regional and national causes, charities and organisations throughout Australia and New Zealand. We provide ongoing assistance to a wide range of local community groups including schools, sporting clubs and service clubs.



For full details on our responsible sourcing, sustainability or community commitments [click here](#)



High Physical Support

Specialist Disability Accommodation (SDA) with the design category of High Physical Support is designed for individuals with significant physical impairments who require substantial support in their daily lives. These accommodations are designed to empower people who require support to complete one or more self-care or self-management activities.

High Physical Support housing incorporates the features of fully accessible housing, with additional specialised design features to support a higher level of physical access.

This type of accommodation is tailored to focus on independence and safety, featuring structural provisions like wider doorways, ramps, and custom bathroom fittings to accommodate wheelchairs. Additionally, these homes often include assistive technology such as ceiling hoists, emergency power supply, and environmental control systems that may be operated by the resident.

The goal of High Physical Support SDA is to create a living space that not only meets the physical needs of the residents but also aims to promote their dignity and quality of life. The design of these homes adheres to strict standards to ensure they are well-suited for their intended purpose.

When building to the SDA High Physical Support standards, additional consideration will need to be given to the selection of many materials and products, including:

- Entry ways, doors and door furniture, including automation
- Front-of-wall plumbing and tapware
- Emergency power solutions
- Adjustable joinery and benchtops
- Appliances



PRODUCT CATEGORIES

Doors & Door Hardware

Floor & Wall Linings

Electrical

Assistive Technology

Kitchen & Laundry

Bathroom

*The NDIS SDA Design Standard (SDA) must be consulted with respect to design and compliance requirements. The products presented in this catalogue also rely on correct installation to meet the requirements of AS1428.

DOORS & DOOR HARDWARE

Introduction

Entrance Doors

External Doors

Internal Doors

Door Hardware

Introduction

The SDA Design Standard specifies the following door and door hardware requirements for High Physical Support builds*:

- Doorways should have a minimum opening clearance of 950mm and have door handles installed at between 900mm to 1100mm above the finished floor level
- All internal doorways should have a level, stepfree transition and threshold (maximum vertical tolerance of 3mm vertical or 5mm between abutting surfaces is allowable provided the lip is rounded or bevelled)
- Door automation can be provided in lieu of door circulation spaces that are required as per AS1428.1 to the latch side of the door

*The NDIS SDA Design Standard (SDA) must be consulted with respect to design and compliance requirements. The products presented in this catalogue also rely on correct installation to meet the requirements of AS1428.

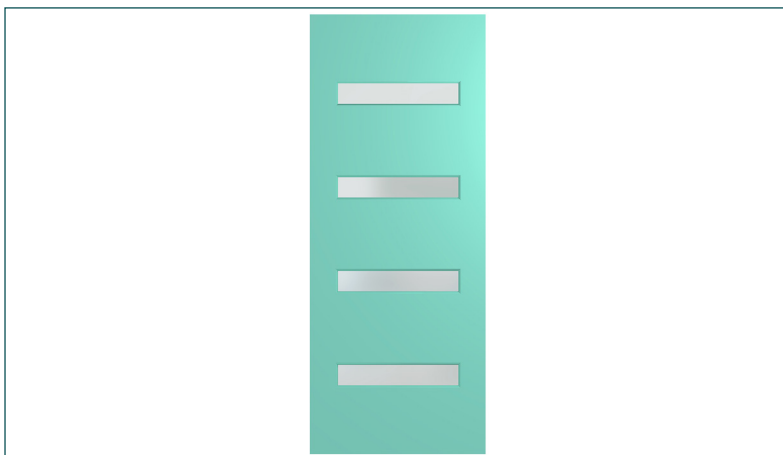
Entrance Doors

Newington Entrance Door XN5 Translucent Laminate



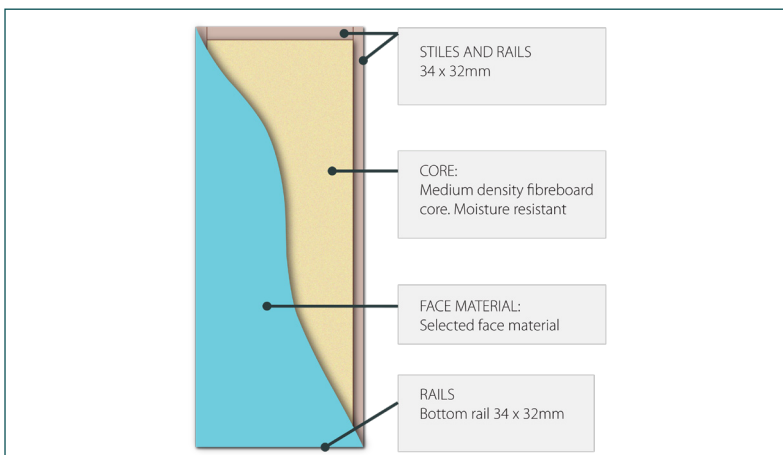
I/No: 0082441 Supplier Code: XN5 G2

Product Dimensions: 2340mm H x 1020mm W x 40mm D Warranty: 5 Year



Product Features:

- Solid core construction engineered for strength and stability
- Timeless design with laminated glass panel
- Duracote tempered hardboard
- Ready to paint



0082441	2340mm H x 1020mm W x 40mm D
0998842	2040mm H x 1020mm W x 40mm D

[Click here](#) for more product information

*By clicking this link you are being taken to an external website.

[Home](#)

Entrance Doors

Door Entrance Savoy



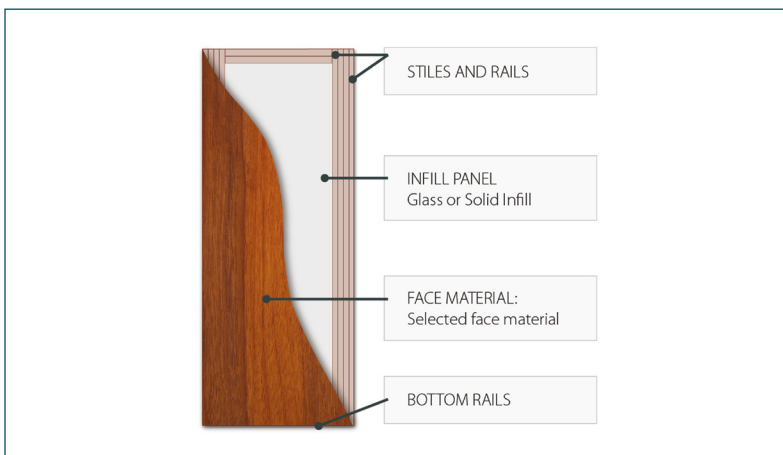
I/No: 0082475 **Supplier Code:** XS26 SPM TRANS

Product Dimensions: 2340mm H x 1020mm W x 40mm D **Warranty:** 5 Year



Product Features:

- Layered timber core
- Joinery veneer
- Glass infill with translucent glass



0082475	2340mm H x 1020mm W x 40mm D
0082474	2040mm H x 1020mm W x 40mm D

[Click here](#) for more product information

*By clicking this link you are being taken to an external website.

[Home](#)

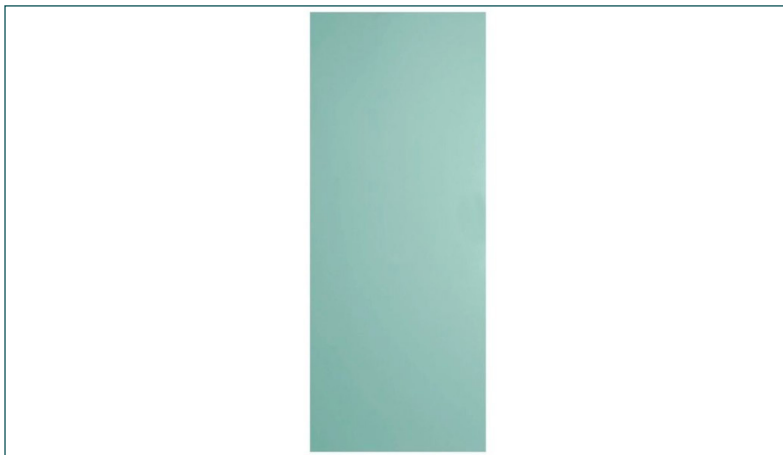
External Doors

Door External/Internal Flush Solicore SCX1



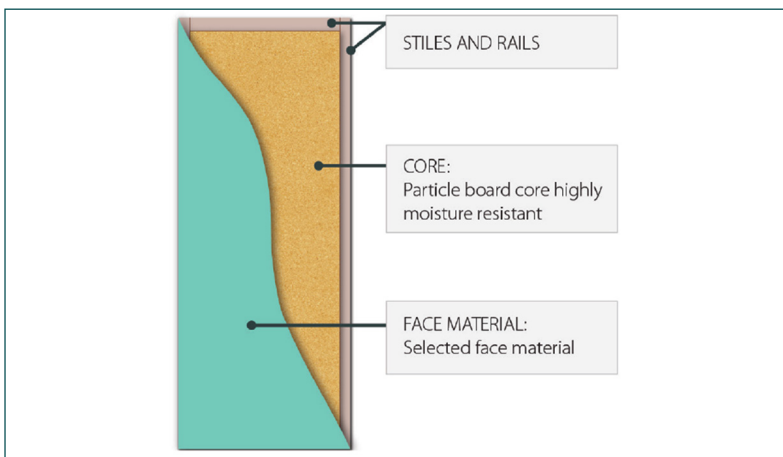
I/No: 0619327 **Supplier Code:** SXC1 Solicore

Product Dimensions: 2340mm H x 1020mm W x 40mm D **Warranty:** 5 Year



Product Features:

- Solid Construction
- Pre primed ready for paint
- Timber stiles and rails
- Solicore particleboard core construction



0619327	2340mm H x 1020mm W x 40mm D
0619332	2040mm H x 1020mm W x 40mm D

[Click here](#) for more product information

*By clicking this link you are being taken to an external website.

[Home](#)

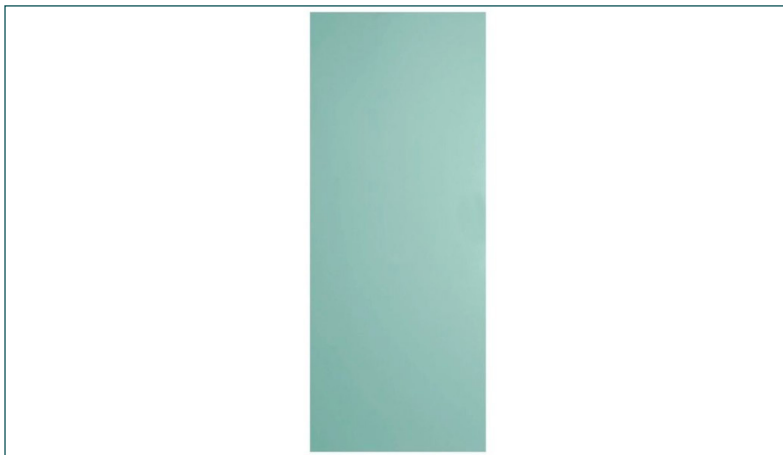
Internal Doors

Door Internal Flush Solicore



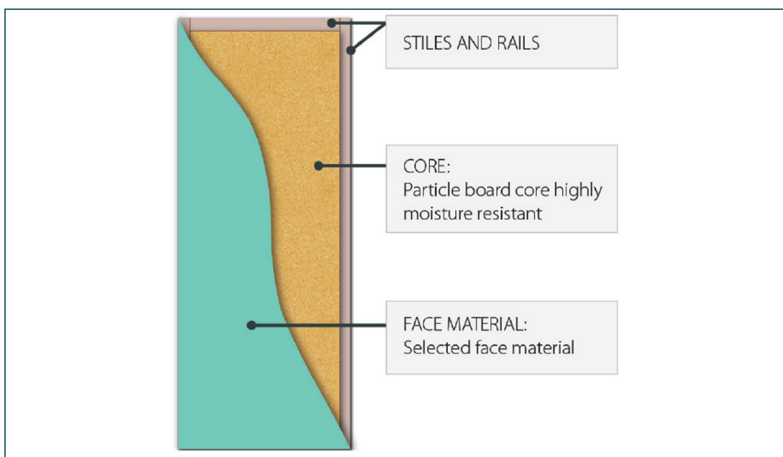
I/No: 0998844 **Supplier Code:** SXC1 Solicore

Product Dimensions: 2340mm H x 1020mm W x 35mm D **Warranty:** 5 Year



Product Features:

- Solid Construction
- Pre primed ready for paint
- Timber stiles and rails
- Solicore particleboard core construction



0998844	2340mm H x 1020mm W x 35mm D
2010212	2040mm H x 1020mm W x 35mm D

[Click here](#) for more product information

*By clicking this link you are being taken to an external website.

[Home](#)

Pull Handles

Polo D Pull Handle 300mm

ZANDA
ARCHITECTURAL HARDWARE

I/No: 0798123 **Supplier Code:** 7098.BB.SS

Product Dimensions: 300mm L x 30x15mm W x 50mm D **Warranty:** 20 Years



Product Features:

- Can be installed to comply with AS1428
- Constructed of 316 Marine Grade Stainless Steel

0791823	Stainless Steel 7098.BB.SS	
0791740	Matt Black 7098.BB.BLK	
0791787	Graphite Nickel 7098.BB.GN	
0791640	Satin Brass 7098.BB.SB	

[Click here](#) for more product information

*By clicking this link you are being taken to an external website.

[Home](#)

Pull Handles

Polo D Pull Handle 900mm

ZANDA
ARCHITECTURAL HARDWARE





I/No: 0791775 **Supplier Code:** 7101.BB.GN

Product Dimensions: 900mm L x 40x20mm W x 60mm D **Warranty:** 20 Years



Product Features:

- Can be installed to comply with AS1428
- Constructed of 316 Marine Grade Stainless Steel

0791775	Graphite Nickel 7101.BB.GN	
0791779	Stainless Steel 7101.BB.SS	
0791702	Matt Black 7101.BB.BLK	
0791663	Satin Brass 7101.BB.SB	

[Click here](#) for more product information

*By clicking this link you are being taken to an external website.

[Home](#)

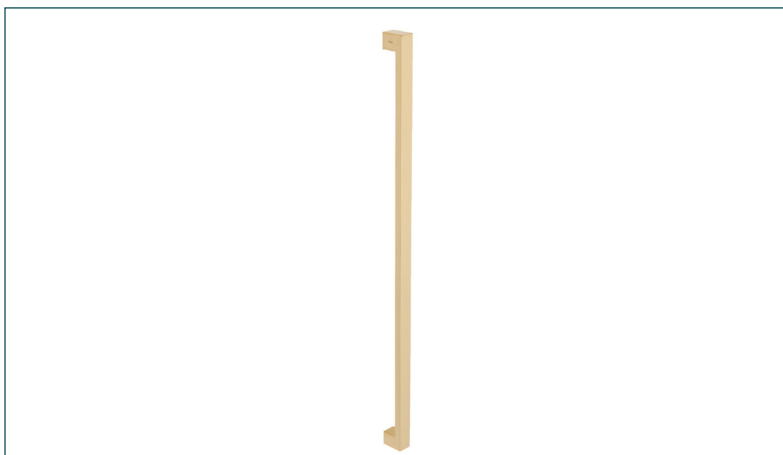
Pull Handles

Polo D Pull Handle 1800mm



I/No: 0791643 **Supplier Code:** 7102.BB.SB

Product Dimensions: 1800m L x 40x20mm W x 60mm D **Warranty:** 20 Years



Product Features:

- Can be installed to comply with AS1428
- Constructed of 316 Marine Grade Stainless Steel

0791643	Satin Brass 7102.BB.SB	
0791693	Stainless Steel 7102.BB.SS	
0791677	Matt Black 7102.BB.BLK	
0791655	Graphite Nickel 7102.BB.GN	

Click here for more product information

*By clicking this link you are being taken to an external website.

 [Home](#)

Pull Handles

Wyatt Knurled D Pull Handle 470mm

ZANDA
ARCHITECTURAL HARDWARE



I/No: 1028492 **Supplier Code:** 7385.BB.SS

Product Dimensions: 470mm L x 20mm W x 58mm D **Warranty:** 20 Years



Product Features:

- • Stainless steel construction.
- Radiused corners for improved ergonomics.
- 470mm overall length, 450mm centre to centre size.
- 20mm pull-bar width, with 58mm projection
- 20-year mechanical warranty
- Sold as back-to-back pair & includes fixings

1028492	Stainless Steel 7385.BB.SS	
1028403	Matt Black 7385.BB.BLK	

[Click here](#) for more product information

*By clicking this link you are being taken to an external website.

[Home](#)

Lock Sets

Mortice Lock Set Graphite Nickel

ZANDA
ARCHITECTURAL HARDWARE

I/No: 0791817 **Supplier Code:** Multiple

Product Dimensions: 85mm W x 175mm H x 25mm D **Warranty:** 10 Years



Product Features:

- 60mm backset fire rated mortice lock
- Use Duke return passage set, turnsnib escutcheon, and oval cylinder for complete entrance set solution
- Warranty:
Mortice lock 10 Year
Passage set 25 Year
Turnsnib 7 Year
- Accessible compliant



0791817	Mortice Lock 1450.GN
0751939	Duke Return Passage Lever 10051.GN
0751986	Turnsnib 10421.GN
0791661	Oval Cylinder 1160.GN

[Click here](#) for more product information

*By clicking this link you are being taken to an external website.

[Home](#)

Lock Sets

Mortice Lock Set Satin Brass

ZANDA
ARCHITECTURAL HARDWARE

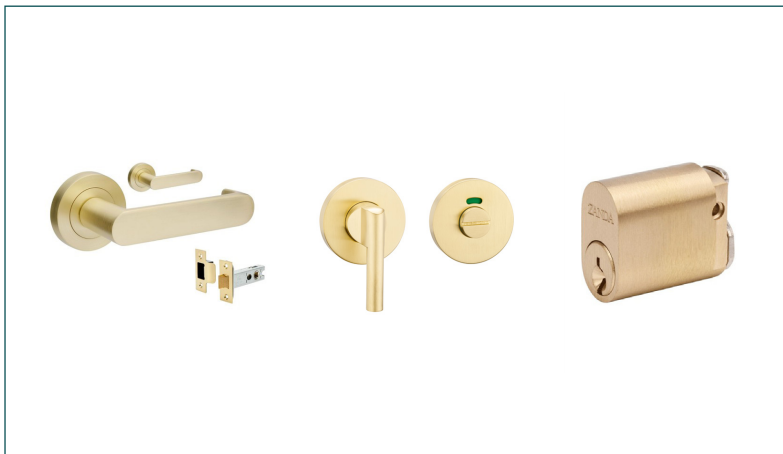
I/No: 0791832 **Supplier Code:** Multiple

Product Dimensions: 85mm W x 175mm H x 25mm D **Warranty:** 10 Years



Product Features:

- 60mm backset fire rated mortice lock
- Use Duke return passage set, turnsnib escutcheon, and oval cylinder for complete entrance set solution
- Warranty:
Mortice lock 10 Year
Passage set 25 Year
Turnsnib 7 Year
- Accessible compliant



0791832	Mortice Lock 1450.SB
0751935	Duke Return Passage Lever 10051.SB
0752019	Turnsnib 10421.SB
0791689	Oval Cylinder 1160.SB

[Click here](#) for more product information

*By clicking this link you are being taken to an external website.

[Home](#)

Entrance Set

G2 Sparta Entrance Set



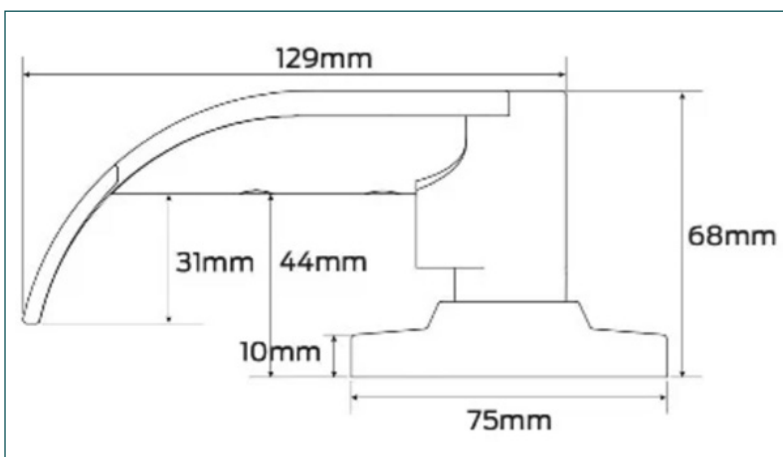
I/No: 0136390 Supplier Code: G2SENTSK

Product Dimensions: 129mm L x 68mm D Warranty: 10 Years



Product Features:

- Fire rated
- Internal lever always unlocked
- Can be keyed alike
- Restricted master key option dependent on keying system
- Suits door thickness 35-50mm
- AS1428.1 Compliant



Entrance Set

Phoenix Commercial Entrance Set

ZANDA
ARCHITECTURAL HARDWARE

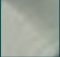
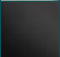
I/No: 0604231 **Supplier Code:** 11020.SC

Product Dimensions: 134mm L x 75mm W x 68mm D **Warranty:** 10 Years



Product Features:

- Suitable for 35-47mm thick doors
- 70mm backset standard
- 75mm diameter rose
- C4, 6 pin keyway
- 10 Year mechanical warranty

0604231	Satin Chrome	
1028482	Matt Black	

[Click here](#) for more product information

*By clicking this link you are being taken to an external website.

[Home](#)

Entrance Levers

Haro Entrance Set

LEMAAR

I/No: 0555313 **Supplier Code:** 27000SSS

Product Dimensions: 135mm L x 66mm D **Warranty:** 10 Year Limited Warranty



Product Features:

- 6 Pin Cylinder
- Marine Grade 316 Stainless Steel
- Round 70mm rosette or backplate
- For timber or metal doors
- 54mm face hole
- Can be installed to meet AS1428

[Click here](#) for more product information

*By clicking this link you are being taken to an external website.

[Home](#)

Passage Set

Duke Return Passage Set

ZANDA
ARCHITECTURAL HARDWARE



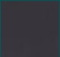
I/No: 0751935 **Supplier Code:** 10051.SB

Product Dimensions: 116.5mm L x 42.5mm D **Warranty:** 10 Years



Product Features:

- 15 Years mechanical warranty
- 60mm backset
- 54mm screw on rose- concealed fixing. Sleek & durable
- Micronized finish
- Suitable for external use
- Through door bolts for secure fitting- won't twist out of square
- Can be installed to comply with AS1428.1

0751935	Satin Brass 10051.SB	
0751939	Graphite Nickel 10051.GN	
0751928	Matt Black 10051.BLK	

[Click here](#) for more product information

*By clicking this link you are being taken to an external website.

[Home](#)

Passage Set

G2 Sparta Passage Set



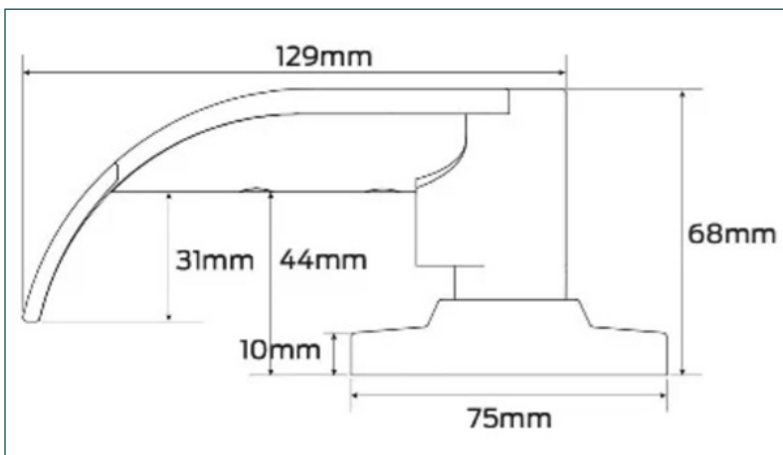
I/No: 1016413 Supplier Code: G2SPASS

Product Dimensions: 129mm L x 68mm D Warranty: 10 Years



Product Features:

- Can be installed to comply with AS1428.1
- Tested in excess of 400,000 operating cycles
- Snap-on inside rose conceals mounting plate and screws
- Supplied standard D & T strikes and spacer rings
- Ideally suited for residential, light & medium duty commercial applications
- Non-handed.



Passage Set

Neue Telo Passage Leverset



I/No: 0501044 **Supplier Code:** 1905TELAMB

Product Dimensions: 50mm D x 65mm H x 148mm L **Warranty:** 10 Years



Product Features:

- Return to face lever design
- Designed for access & mobility
- Privacy lever with an internal locking pin ensuring privacy where needed and an external emergency release for peace of mind
- Easy to install

0501044	Brushed Satin Chrome	
0501058	Matt Black	

[Click here](#) for more product information

*By clicking this link you are being taken to an external website.

[Home](#)

Passage Set

Haro Passage Lever

LEMAAR

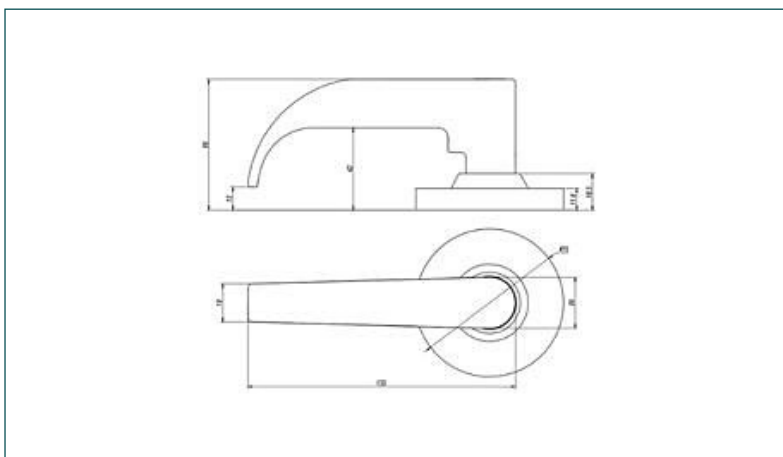
I/No: 0555318 Supplier Code: 27001SSS

Product Dimensions: 135mm L x 66mm D Warranty: 10 Year Limited Warranty



Product Features:

- Fire rated
- Can be installed to meet AS1428.1 compliance
- 316 marine grade stainless steel



[Click here](#) for more product information

*By clicking this link you are being taken to an external website.

[Home](#)

Privacy Set

Duke Return Privacy Set

ZANDA
ARCHITECTURAL HARDWARE


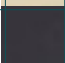
I/No: 0751945 **Supplier Code:** 10052.GN

Product Dimensions: 116.5mm L x 42.5mm D **Warranty:** 10 Years



Product Features:

- 15 Years mechanical warranty
- 60mm backset
- 54mm screw on rose- concealed fixing. Sleek & durable
- Micronized finish
- Suitable for external use
- Through door bolts for secure fitting- won't twist out of square
- Can be installed to comply with AS1428.1

0751945	Graphite Nickel 10052.GN	
0751918	Satin Brass 10052.SB	
0751932	Matt Black 10052.BLK	

[Click here](#) for more product information

*By clicking this link you are being taken to an external website.

[Home](#)

Privacy Set

G2 Sparta Privacy Set



I/No: 0432021 **Supplier Code:** G2SPRIS

Product Dimensions: 129mm L x 68mm D **Warranty:** 10 Years



Product Features:

- Can be installed to meet AS1428.1 compliance
- Tested in excess of 400,000 operating cycles
- Snap-on inside rose conceals mounting plate and screws
- Supplied standard D & T strikes and spacer rings
- Ideally suited for residential, light & medium duty commercial applications
- Non-handed

Privacy Set

Neue Telo Privacy Lever Set



I/No: 0501030 Supplier Code: 1915TELAMB

Product Dimensions: 50mm D x 65mm H x 148mm L Warranty: 10 Years



Product Features:

- Return to face lever design
- Designed for access & mobility and can be installed to meet AS1428.1 compliance
- Uses a standard 50-54mm cut-out
- Easy to install, with concealed fixing for a clean look

0501030	Matt Black	
0501048	Brushed Satin Chrome	

[Click here](#) for more product information

*By clicking this link you are being taken to an external website.

[Home](#)

Privacy Set

Haro Privacy Lever Set - Stainless Steel

LEMAAR

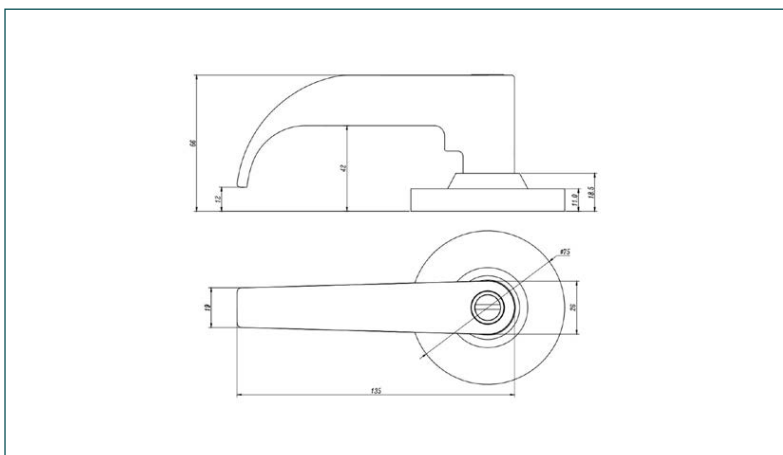
I/No: 0555316 Supplier Code: 27002SSS

Product Dimensions: 75mm W x 65mm H x 135mm L Warranty: 12 Years



Product Features:

- Left or right handed
- Spacers included
- 54mm face hole
- 70mm backset from surface of door
- 316 Marine grade stainless steel
- Fire Rated



[Click here](#) for more product information

*By clicking this link you are being taken to an external website.

[Home](#)

Commercial Locksets

Phoenix Commercial Storeroom Set

ZANDA
ARCHITECTURAL HARDWARE


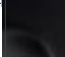
I/No: 0604220 **Supplier Code:** 11024.SC

Product Dimensions: 134mm L x 54mm D **Warranty:** 20 Years



Product Features:

- Suitable for 35-47mm thick doors
- 70mm backset standard
- 75mm diameter rose
- C4, 6 pin keyway
- 10 Year mechanical warranty
- Stainless steel latch bolt
- Fire tested to AS1530.4
- Can be installed to comply with AS1428.1

0604220	Satin Chrome	
N/A	Matt Black	

[Click here](#) for more product information

*By clicking this link you are being taken to an external website.

[Home](#)

Commercial Locksets

Haro Storeroom Leverset

LEMAAR

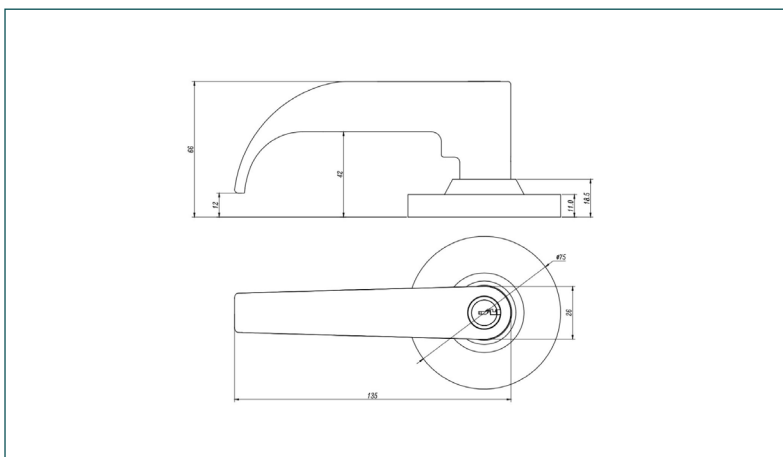
I/No: 0555319 Supplier Code: 27004SSS

Product Dimensions: 135mm L x 66mm D Warranty: 10 Year Limited Warranty



Product Features:

- 6 Pin cylinder
- Marine grade 316 stainless steel
- Round 70mm rosette or backplate
- For timber or metal doors
- 54mm face hole
- Can be installed to meet AS1428.1



[Click here](#) for more product information

*By clicking this link you are being taken to an external website.

[Home](#)

Door Closers

Cam Action Door Closer

ZANDA
ARCHITECTURAL HARDWARE

I/No: 1028461 **Supplier Code:** TS.11205.SNP

Product Dimensions: 461mm W x 98mm H x 43mm D **Warranty:** 35 Years



Product Features:

- Opening angle 120 degrees
- Non-handed
- 35 Year warranty
- Adjustable latch and closing speed
- Max door width 1250mm
- Power size 2-5
- Max door weight of up to 110kg

1028461	Brushed Nickel	
1028520	Matt Black	

[Click here](#) for more product information

*By clicking this link you are being taken to an external website.

[Home](#)

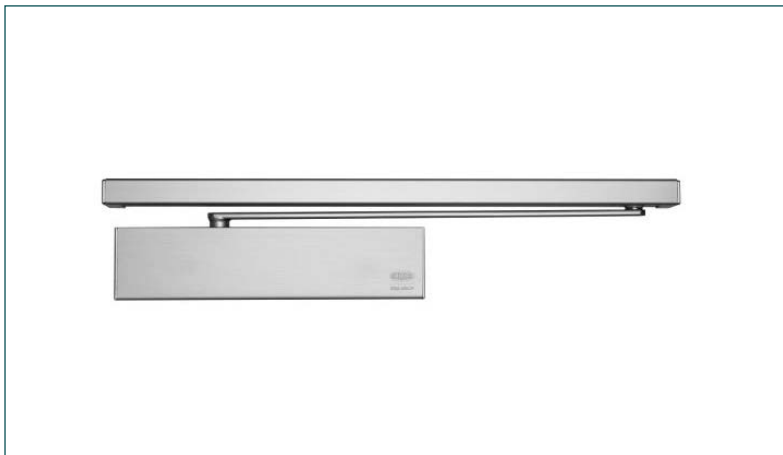
Door Closers

2615 Series Cam Action Door Closer



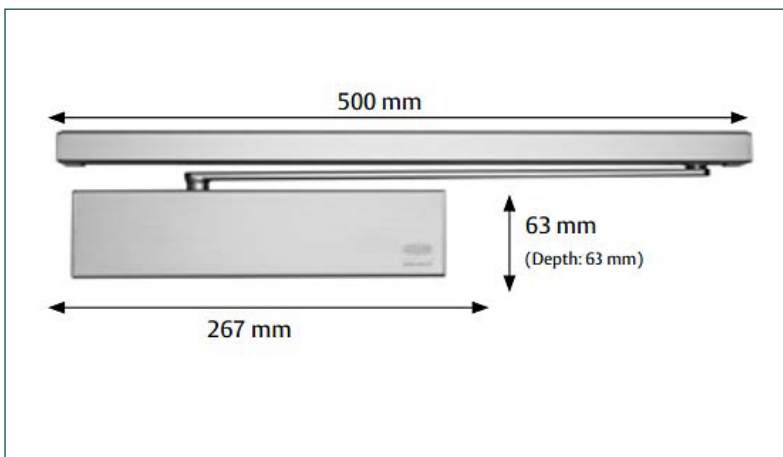
I/No: 0318242 Supplier Code: 23615DASIL

Product Dimensions: 500mm L x 63mm D Warranty: 25 Years



Product Features:

- Cam design means this premium door closer is light to open but still strong enough to close a door
- Can be adjusted to meet the requirements of a light door opening resistance and is ideal for interior and exterior doors



[Click here](#) for more product information

*By clicking this link you are being taken to an external website.

[Home](#)

FLOOR & WALL LININGS

Introduction

Floor Tiles

Vinyl Flooring

Wall Linings

Introduction

The SDA Design Standard specifies the following requirements for High Physical Support builds*:

- All flooring for bathrooms, kitchens and laundries must be tested to a minimum slip resistance rating of P3 or R10
- Carpeting must meet a requirement of a maximum total height of 15mm

*The NDIS SDA Design Standard (SDA) must be consulted with respect to design and compliance requirements. The products presented in this catalogue also rely on correct installation to meet the requirements of AS1428.

Floor Tiles

Cemento 400x400mm Ceramic Floor Tile






I/No: 0012635 **Supplier Code:** Multiple

Product Dimensions: 400mm W x 400mm H x 8.4mm D **Warranty:** 10 Years



Product Features:

- Ceramic indoor floor tile
- P4 slip rating
- Suitable for bathroom, entry, kitchen, laundry & living floors

0012635	Taupe Matt	
0012634	White Matt	
0012633	Charcoal Matt	

[Click here](#) for more product information

*By clicking this link you are being taken to an external website.

 [Home](#)

Vinyl Flooring

Virtuo Classic 55 XL



I/No: 0676415 **Supplier Code:** 1011

Product Dimensions: 230mm W x 1500mm L x 25mm D **Warranty:** 15 Years



Product Features:

- Virtuo classic 55 planks are designed for permanent, glued installation
- Dryback
- Realistic appearance
- Easy to install
- R10 slip rating

0676415	Empire Clear	
0676410	Empire Blond	
0676416	Astire Spotted Gum	

[Click here](#) for more product information

*By clicking this link you are being taken to an external website.

[Home](#)

Wall Lining

Ezi-Line Magnum Board Rebated Edge 1200mm x 9mm



I/No: 0182467 **Supplier Code:** Ezi-Line Rebated 1200x9mm

Product Dimensions: 2400mm W x 1200mm L x 9mm D **Warranty:** 30 Years



Product Features:

- High impact resistance
- Mould & insect proof
- Suitable for wet areas
- Silica free formula

0182467	2400x1200x9mm
0182468	2700x1200x9mm
0182469	3000x1200x9mm

[Click here](#) for more product information

*By clicking this link you are being taken to an external website.

[Home](#)

Wall Lining

Ezi-Line Magnum Board Square Edge 1200mm x 12mm



I/No: 0182470 **Supplier Code:** Ezi-Line Square Edge 1200x12mm

Product Dimensions: 2400mm W x 1200mm L x 12mm D **Warranty:** 30 Years



Product Features:

- High impact resistance
- Mould & insect proof
- Suitable for wet areas
- Silica free formula

0182470	2400x1200x12mm
0182471	2700x1200x12mm
0182472	3000x1200x12mm

[Click here](#) for more product information

*By clicking this link you are being taken to an external website.

[Home](#)

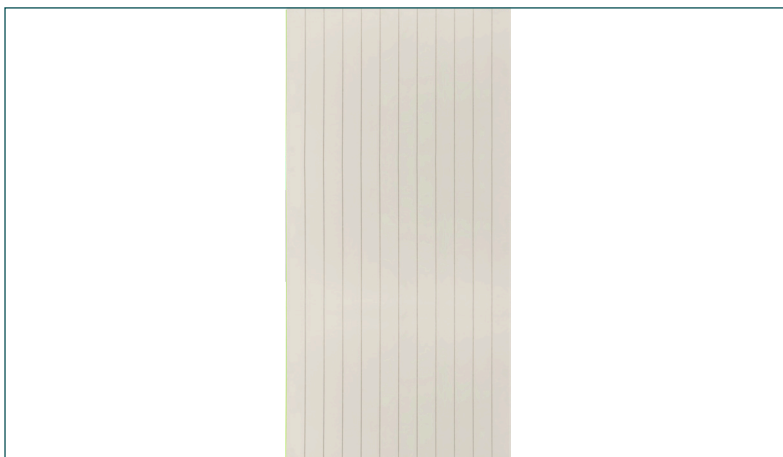
Wall Lining

Easycraft 1200x9mm EasyVJ100 Wall Lining Primed General Purpose MR MDF E0



I/No: 0330364 **Supplier Code:** Multiple

Product Dimensions: 2400mm W x 1200mm L x 9mm D **Warranty:** 7 Years



Product Features:

- Made from moisture resistant (MRE0) MDF
- Primed and ready to paint for fast, easy installation.
- Hidden tongue and groove easyJOIN+ system
- High impact resistance, 300% tougher than plasterboard
- Consistent board surface, no knot holes, splitting or splinters
- Australian made and owned

0330364	2400x1200x9mm
0440018	2700x1200x9mm
0330158	3000x1200x9mm

[Click here](#) for more product information

*By clicking this link you are being taken to an external website.

[Home](#)

ELECTRICAL

Introduction

Switches

Lighting

Inline Exhaust Fans

Introduction

The SDA Design Standard specifies the following Electrical requirements for High Physical Support builds*:

- Light and power outlet switches should be rocker action, toggle or push pad in design with a minimum width of 35mm
- Dimmable lighting switches should be provided in living areas and bedrooms
- Task lighting should be provided above workspaces. A minimum level of 300lux should be achieved when tested at maximum intervals of 1500mm, directly over the surface of the benchtops

*The NDIS SDA Design Standard (SDA) must be consulted with respect to design and compliance requirements. The products presented in this catalogue also rely on correct installation to meet the requirements of AS1428.

Switches

HPM Como Double Powerpoint White Square



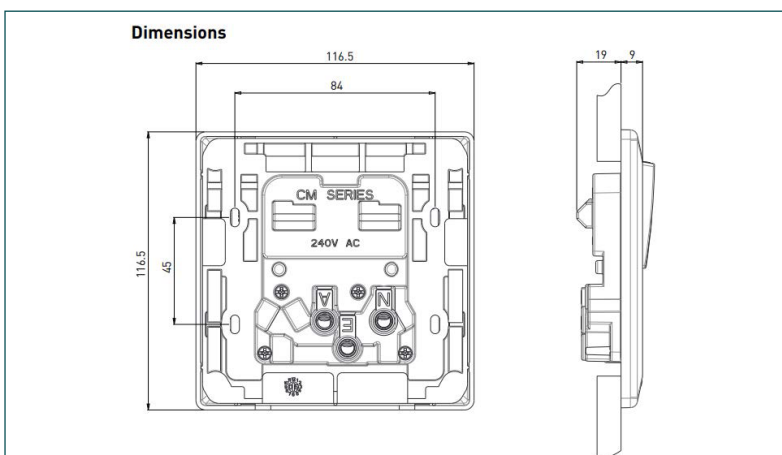
I/No: 4332201 Supplier Code: CM777WE

Product Dimensions: 116.5mm W x 116.5mm H x 9.0mm D Warranty: 1 Year



Product Features:

- Double power point
- 10A 240V a.c.
- Plate size: 114mm x 70mm
- Mounting centres 84mm
- Colour: White
- Horizontal format
- Cut-out size: 95 x 90mm
- Plate dimensions: 116.5 x 116.5mm
- Plate thickness 8mm



[Click here](#) for more product information

*By clicking this link you are being taken to an external website.

[Home](#)

Switches

HPM Como Single Powerpoint White Square



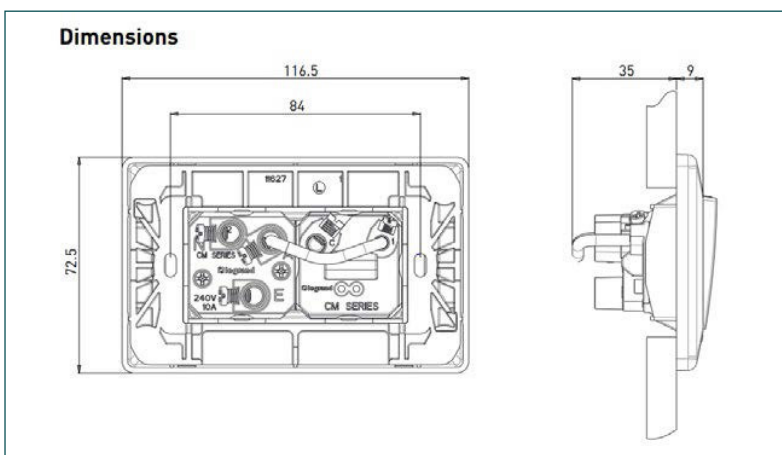
I/No: 4332202 Supplier Code: CM787WE

Product Dimensions: 116.0mm W x 72.0mm H x 8.0mm D Warranty: 1 Year



Product Features:

- Single power point
- 10A 240V a.c.
- Mounting centres 84mm
- Colour: White
- Horizontal format
- Cut-out size 95 x 50mm
- Plate dimensions: 116x 72mm
- Plate thickness 8mm



[Click here](#) for more product information

*By clicking this link you are being taken to an external website.

Switches

HPM Como Single Gang Switch Horizontal



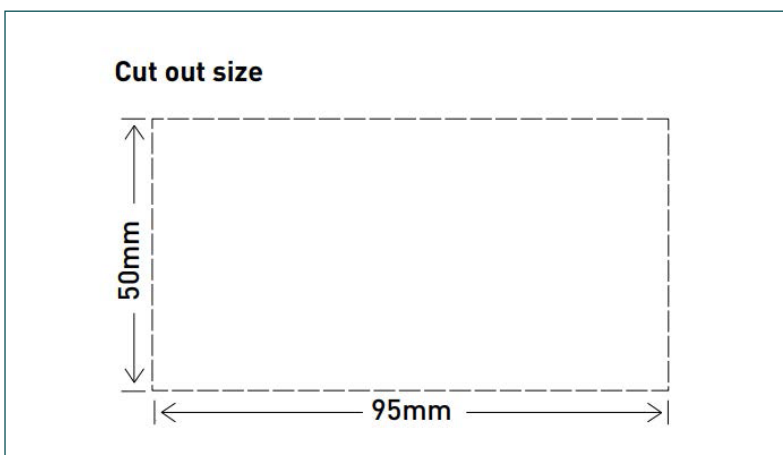
I/No: 4332199 Supplier Code: CM910/1HWE

Product Dimensions: 116.0mm W x 72.0mm H x 8.0mm D Warranty: 1 Year



Product Features:

- Como range switch
- Easy to see and use
- Customisable options available on this range
- Smooth switching action
- More fixing options - 4 corners
- Marked with red indicator line
- Cut-out size: 95 x 50mm
- Plate dimensions: 116 x 72mm
- Plate thickness: 8mm
- Horizontal format



[Click here](#) for more product information

*By clicking this link you are being taken to an external website.

[Home](#)

Switches

HPM Como Double Gang Switch Horizontal White



I/No: 4332200 Supplier Code: CM920/2HWE

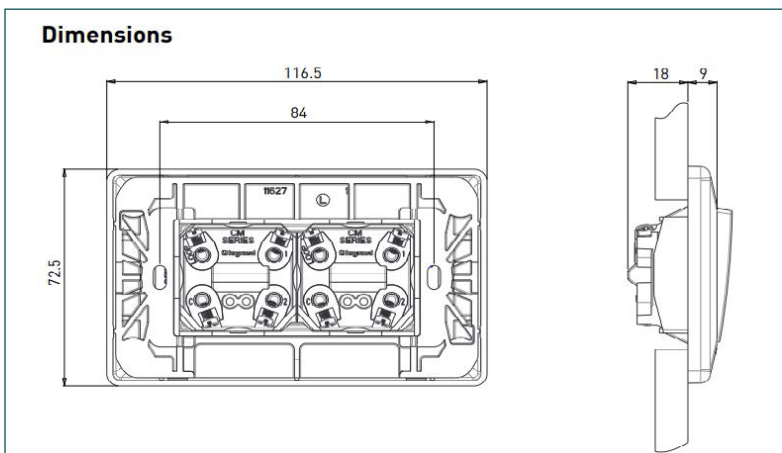
Product Dimensions: 116.0mm W x 72.0mm H x 8.0mm D Warranty: 1 Year



Product Features:

- Como range switch
- Easy to see and use
- Customisable options available on this range
- Smooth switching action
- More fixing options - 4 corners
- Marked with red indicator line
- Cut-out Size: 95 x 50mm
- Plate dimensions: 116 x 72mm
- Plate thickness: 8mm
- Horizontal format

Dimensions



[Click here](#) for more product information

*By clicking this link you are being taken to an external website.

[Home](#)

Switches

HPM Como Switch & Trailing Edge Dimmer



I/No: 0043389 Supplier Code: CM400THWE

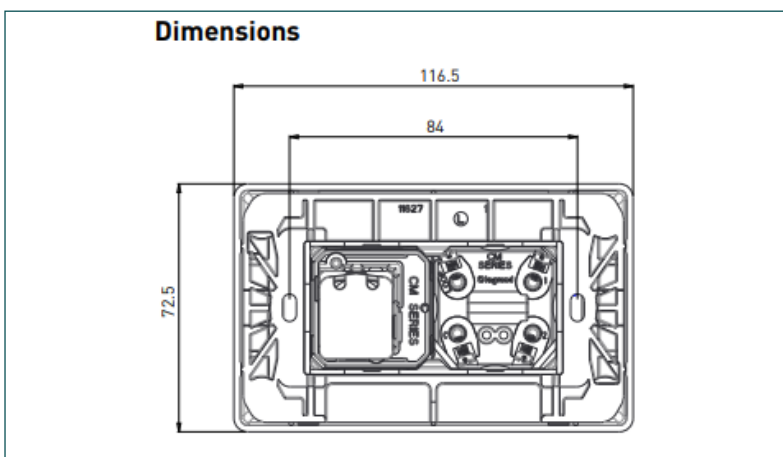
Product Dimensions: 116.5mm W x 72.5MM x 9mm D Warranty: 1 Year



Product Features:

- Quiet dimming operation
- Soft start - turns lamps on gradually to prolong lamp life
- Automatically dims lamp if the dimmer is overloaded or insufficiently de-rated
- Easy grip knob

Dimensions



[Click here](#) for more product information

*By clicking this link you are being taken to an external website.

[Home](#)

Lighting

HPM Alina Recessed 90mm Downlight LED Tricolour



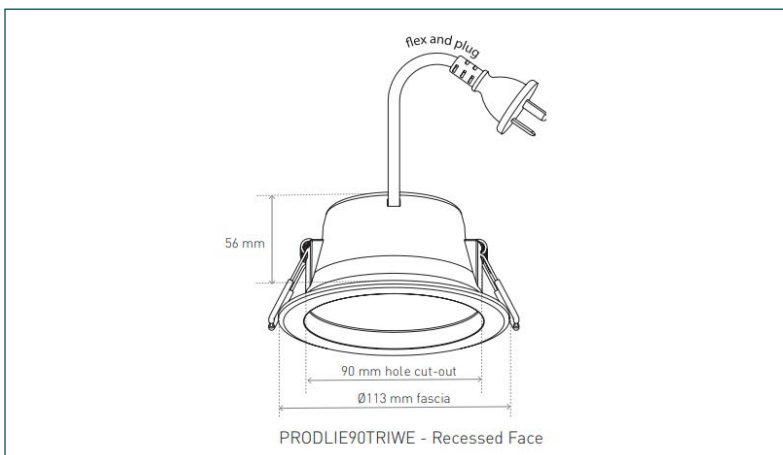
I/No: 0465345 Supplier Code: DLIE90TRIWE

Product Dimensions: 90mm Diameter Warranty: 5 Year



Product Features:

- Light colour selector: Easily switch between warm (3,000k), cool (4,000k), and natural (5,000k) light colour temperatures
- Suitable for low ceiling cavities
- High-quality flame-retardant plastic construction
- Integral dimmable driver compatible with most quality dimmers
- IP44 rating suitable for outdoor undercover areas
- 2,500 V electrical surge protection



[Click here](#) for more product information

*By clicking this link you are being taken to an external website.

[Home](#)

Inline Exhaust Fans

Deta Inline Exhaust Fan Kit



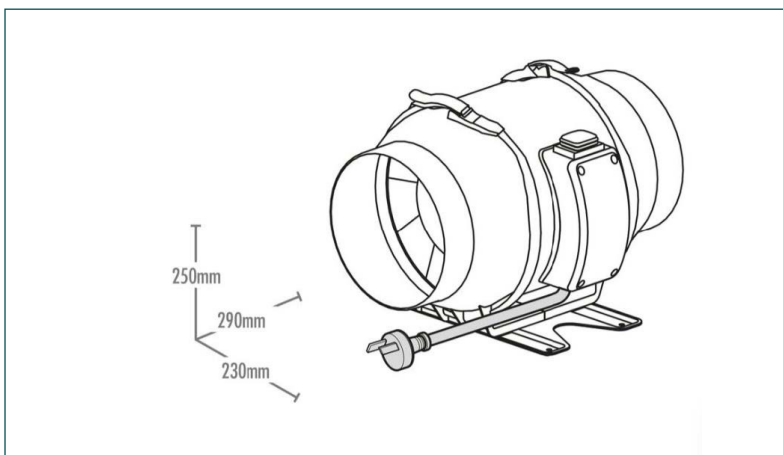
I/No: 0246590 Supplier Code: DIEF150

Product Dimensions: 150mm Diameter Warranty: 5 Year



Product Features:

- 2 Speed switch
- Ideal use for air extraction and air transfer
- Easy plug-in connection
- Strong air extraction up to 555m³/h
- Fan includes flex and plugs



[Click here](#) for more product information

*By clicking this link you are being taken to an external website.

[Home](#)

Inline Exhaust Fans

HPM Inline Exhaust Fan Kit



I/No: 4420560 **Supplier Code:** EFIL150SQWE

Product Dimensions: 150mm Diameter **Warranty:** 5 Year

**Product Features:**

- 150mm Inline exhaust fan kit
- Ideal use for air extraction and air transfer
- Plug-in connection with 2 speed switch
- Voltage: 230-240v a.c. 50Hz power rating: 60W
- IP rating: IP55
- Draught stopper: Yes (PET Sheet)
- Air extraction: 555m²/h max
- Duct diameter: 150mm

[Click here](#) for more product information

*By clicking this link you are being taken to an external website.

[Home](#)

ASSISTIVE TECHNOLOGY

Introduction

**Home Automation
and Emergency
Power Solutions**

Introduction

The SDA Design Standard specifies the following requirements for High Physical Support builds*:

- Communication technology system to be provided to enable communication between the participant and their supports
- Emergency power solutions should be provided to cater for a minimum 2-hour outage in no less than 2 double power outlets in participant bedrooms and any provided automated doors that are used for entry or egress
- Bedrooms need to have a provision for power and inbuilt structure, capable of installation of a constant charge ceiling hoist with a minimum load capacity of 250kg

*The NDIS SDA Design Standard (SDA) must be consulted with respect to design and compliance requirements. The products presented in this catalogue also rely on correct installation to meet the requirements of AS1428.

Home Automation and Emergency Power Solutions

Livigy Smart Home Assistive Technology Onsite Overnight Kit



I/No: 0676209 **Supplier Code:** SDA-00A-KIT

Product Dimensions: 660mm W x 675mm H x 510mm D **Warranty:** 10 Years Design Life



Product Features:

- Wall-mount rack-to-house equipment
- Cloud managed networking (router, POE Switch, Wi-Fi 6 Access Point)
- Patch cables and accessories
- Desktop phone
- Calling plan
- 24/7 Phone/email support
- 5 Year battery warranty

Home Automation and Emergency Power Solutions

Livigy Uninterruptible Power Supply UPS



I/No: 0676206 **Supplier Code:** SDA-UPS-1

Product Dimensions: 425mm D x 320mm H x 190mm W **Warranty:** 10 Years Design Life



Product Features:

- Small form factor
- UPS Bypass switch for easy access
- Standard 10-amp power circuit
- 2-Hour run time @ 200 watts demand
- Line interactive for silent operation
- 5 Year battery warranty

KITCHEN AND LAUNDRY

Introduction

Tapware

Sinks

Appliances

Introduction

The SDA Design Standard specifies the following requirements for Kitchens and Laundries in High Physical Support builds*:

- Kitchen with a fixed cooktop with compliant features and a rangehood, an in-built oven with compliant features, a sink with tap and a drawer-style dishwasher
- Kitchen benchtops must meet accessible requirements and include one height-adjustable benchtop surface
- D-pull cupboard handles located towards the top of below-bench cupboards and towards the bottom of overhead cupboards
- Lever or sensor type tapware
- Laundry with a sink or tub with taps

*The NDIS SDA Design Standard (SDA) must be consulted with respect to design and compliance requirements. The products presented in this catalogue also rely on correct installation to meet the requirements of AS1428.

Tapware

Isabella Care Kitchen Sink Mixer Chrome

fienza

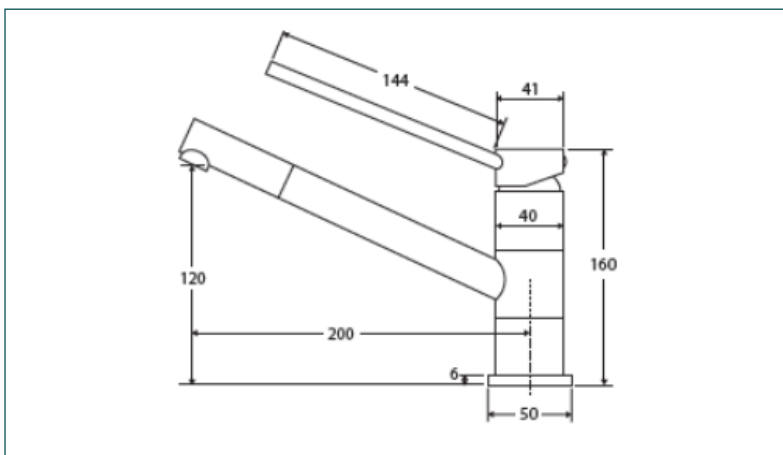
I/No: 0667459 Supplier Code: 213110D

Product Dimensions: 240mm H x 50mm W x 225mm D Warranty: 5 Years



Product Features:

- Can be installed for AS1428.1 accessible compliance
- Easy to operate, fingertip control handles
- Swivel function
- Sleek modern design
- Made from solid brass
- 35mm cartridge
- PEX split-resistant flexible hoses
- WELS 4 Star rated, 6.5L/min; WELS Registration: T17550



[Click here](#) for more product information

*By clicking this link you are being taken to an external website.

[Home](#)

Tapware

Care Sink/Basin Mixer - Isis



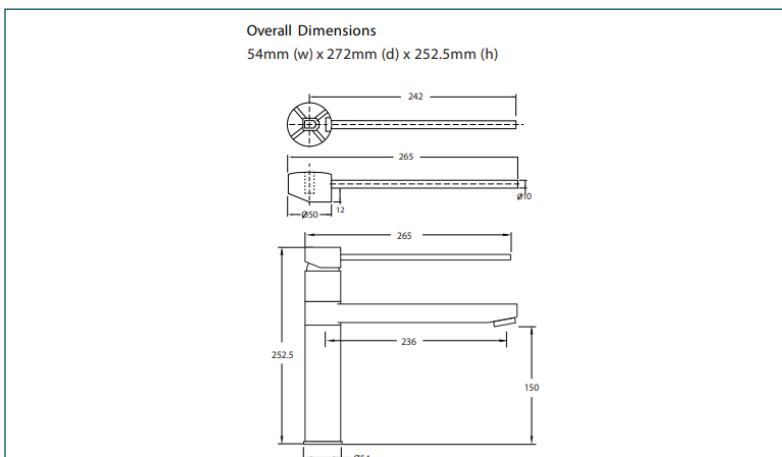
I/No: 1028550 **Supplier Code:** ALS-ISSM-CR220

Product Dimensions: 54mm W x 272mm D x 252.5mm H **Warranty:** 15 Years



Product Features:

- Minimalist sink/basin mixer tap
- Heavyweight solid brass construction
- Stylish chrome plated finish
- Extended lever
- 5 Star – Wels 5 litres per minute
- Water mark approved (°C): 5min - 80 Max



[Click here](#) for more product information

*By clicking this link you are being taken to an external website.

[Home](#)

Sinks

Puro Single Bowl Top Mount Care Sink

Oliveri

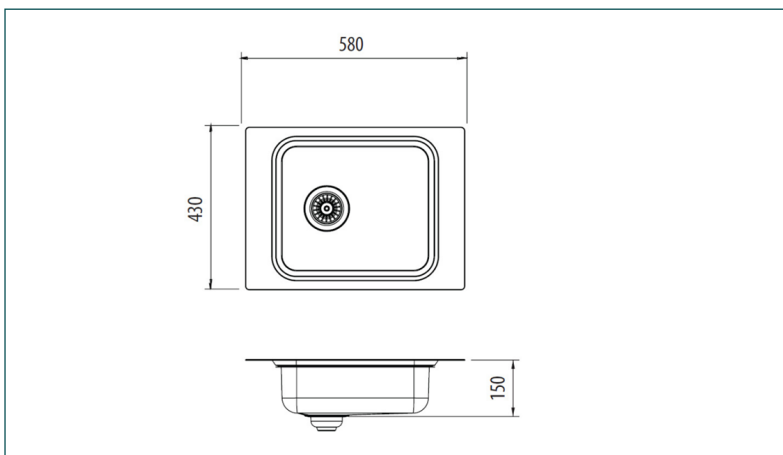
I/No: N/A Supplier Code: PU2850

Product Dimensions: 580mm W x 430mm H x 150mm D Warranty: Lifetime



Product Features:

- Shallow bowl depth
- Insulated underside of bowl as standard
- Central waste position
- Basket waste included



[Click here](#) for more product information

*By clicking this link you are being taken to an external website.

[Home](#)

Sinks

Puro Single Topmount Care Sink with Drainer

Oliveri

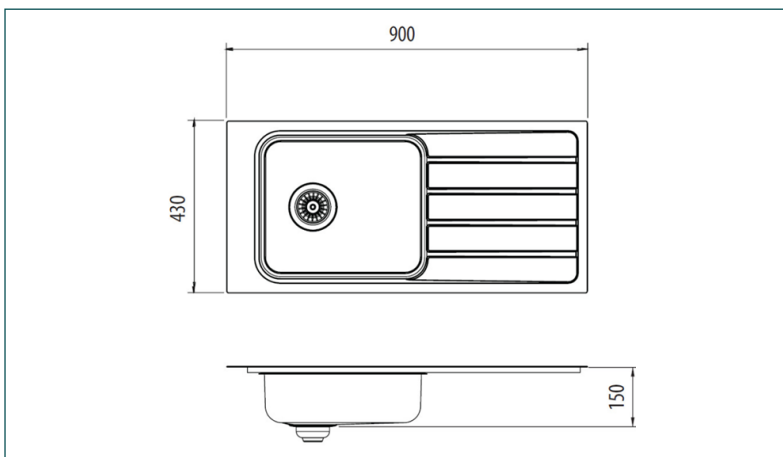
I/No: N/A Supplier Code: PU2820

Product Dimensions: 900mm W x 430mm H x 150mm D Warranty: Lifetime



Product Features:

- Shallow bowl depth
- Insulated underside of bowl as standard
- Central waste position
- Basket waste included



[Click here](#) for more product information

*By clicking this link you are being taken to an external website.

[Home](#)

Sinks

Care One & Three Quarter Bowl Sink with Drainer



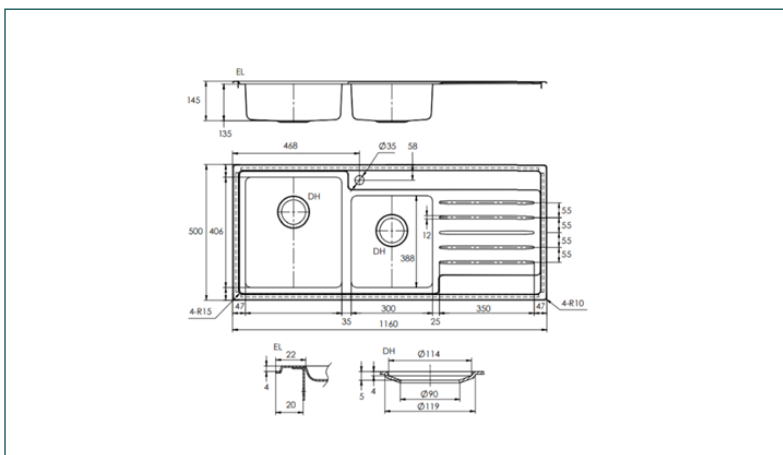
I/No: 1046394 Supplier Code: LDB20-145LHB

Product Dimensions: 1160mm W x 500mm H x 135mm D Warranty: 15 Years



Product Features:

- All in-one solution with two bowls and drainer
- Made from polished 304 grade stainless steel
- 1 Tap hole as standard
- Basket wastes included (2x3)
- Topmount installation
- Sealing tape and mounting clips included



1046394	Left Hand Bowl - LDB20-145LHB
1046393	Right Hand Bowl - LDB20-145RHB

[Click here for more product information](#)

*By clicking this link you are being taken to an external website.

Appliances

60cm Electric Side Opening Oven with Reversible Door

euroappliances

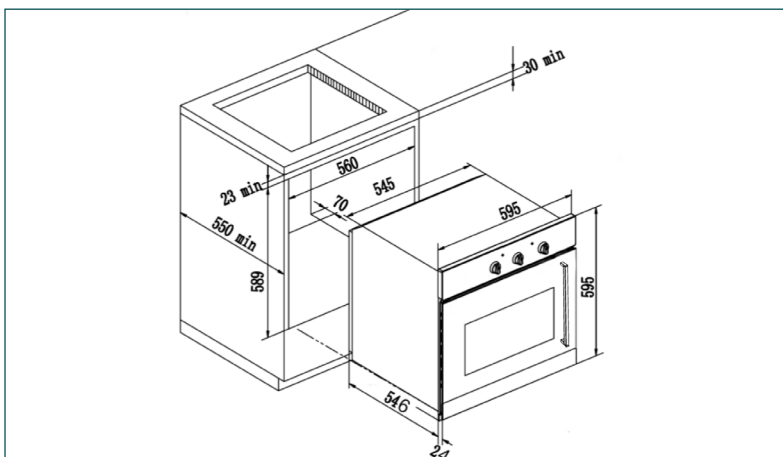
I/No: 0267001 **Supplier Code:** Multiple

Product Dimensions: 595mm W x 595mm H x 546mm D **Warranty:** 3 Years



Product Features:

- 8 multifunctions
- 67Lt gross - 64lt net capacity
- 120-minute cut-off timer
- Reversible door
- 1 telescopic runner
- Cavity cooler system
- Triple glazed door
- Stylish black and stainless-steel finish



0267001	Stainless Steel
0822768	Black

[Click here](#) for more product information

*By clicking this link you are being taken to an external website.

Appliances

60cm Ceran Electric Cooktop

euro appliances

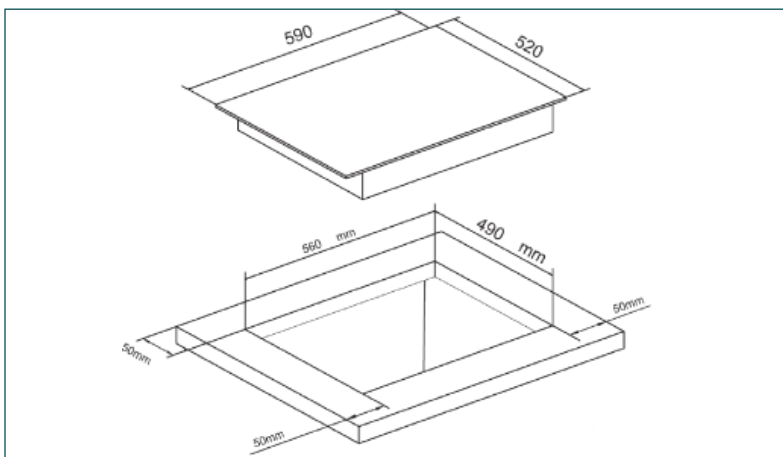
I/No: 0378995 **Supplier Code:** ECT600CB

Product Dimensions: 590mm W x 520mm D **Warranty:** 3 Years



Product Features:

- Easy clean ceran glass
- 4 cooking zones including large central zone
- Front sensor touch operation control
- Total rated load: 7.4kw
- Over temperature safety device
- Overflow protection
- Flexi dual zone with bridge function
- Auto shutdown protection
- 9 heating levels with residual heat indicator



[Click here](#) for more product information

*By clicking this link you are being taken to an external website.

[Home](#)

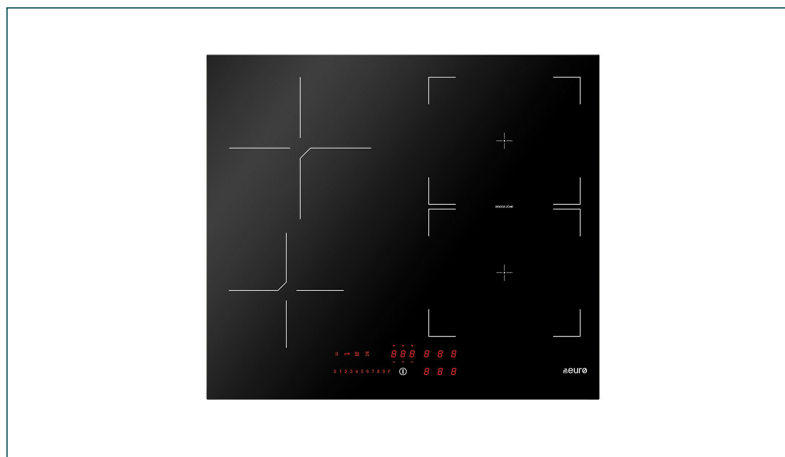
Appliances

60cm Induction Cooktop

euroappliances

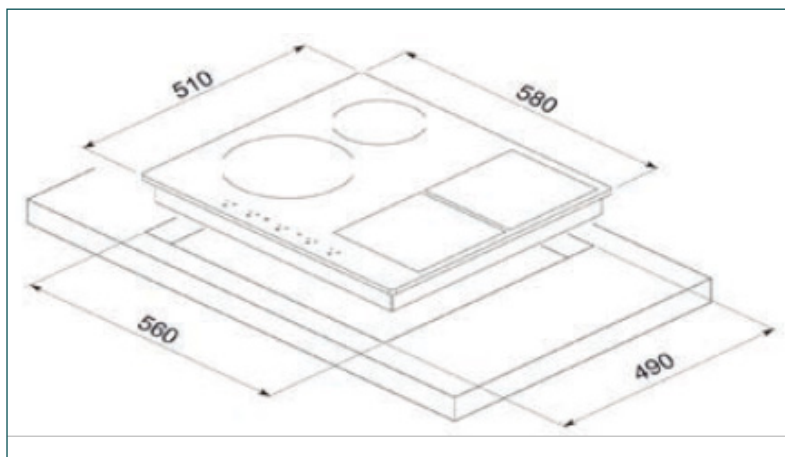
I/No: 0266943 Supplier Code: E60IDB

Product Dimensions: 580mm W x 510mm D Warranty: 3 Years



Product Features:

- Easy clean ceran glass
- 4 cooking zones including large central zone
- Front sensor touch operation control
- Total rated load: 7.4kw
- Over temperature safety device
- Overflow protection
- Flexi dual zone with bridge function
- Auto shutdown protection
- 9 heating levels with residual heat indicator
- Child lock function
- Square edge design



[Click here](#) for more product information

*By clicking this link you are being taken to an external website.

Appliances

60cm Induction Cooktop

 euroappliances

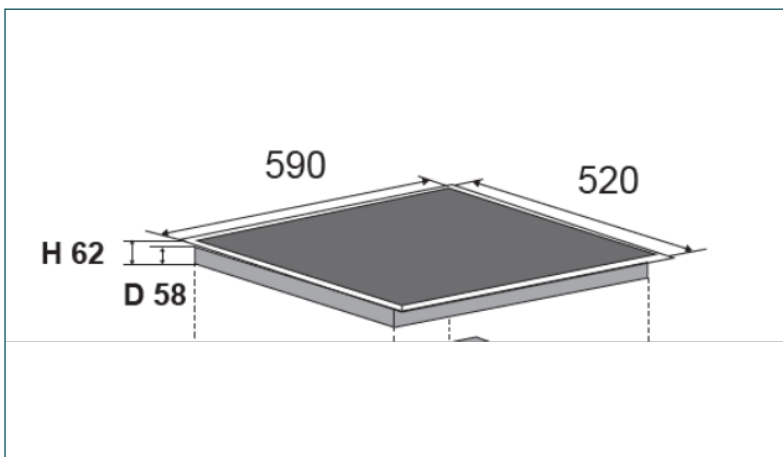
I/No: 0730830 **Supplier Code:** ECT600IN3

Product Dimensions: 590mm W x 520mm D **Warranty:** 3 Years



Product Features:

- Easy clean glass
- 4 Cooking zones
- 9 Power stage settings
- Front sensor touch control operation
- Timer function
- Residual heat indicator
- Child lock safety function
- Total rated load 7.4kw
- Overflow safety device
- Over temperature safety device



[Click here](#) for more product information

*By clicking this link you are being taken to an external website.

 Home

Appliances

52cm Undermount Rangehood

 euroappliances

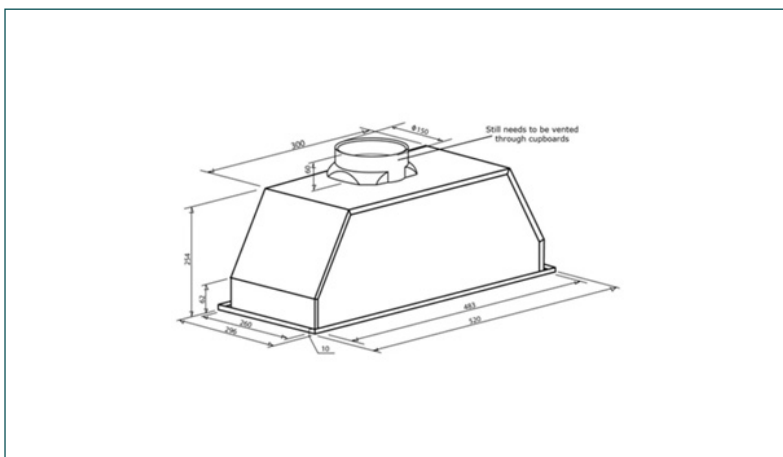
I/No: 0349734 **Supplier Code:** EP52UMS2

Product Dimensions: 520mm W x 254mm H x 296mm D **Warranty:** 3 Years



Product Features:

- Stainless steel finish
- 3 speed motor, 500m³/hr extraction capacity
- 2 x 1.5W LED lights
- Undermount non-visible rangehood
- Under push button control
- Dishwasher safe carbon filter: CF110 (requires 2)
- Decibel rating 48-59 dbA
- 150mm flue diameter



[Click here](#) for more product information

*By clicking this link you are being taken to an external website.

 Home

Appliances

60cm 5 Function Side-opening Oven



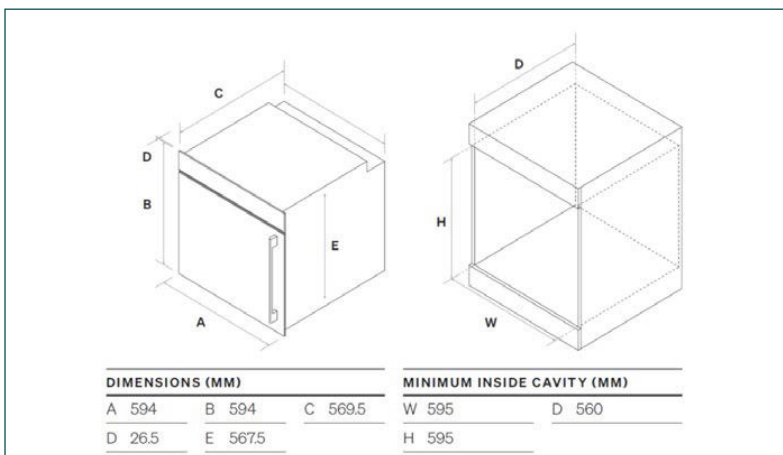
I/No: 0698993 Supplier Code: Multiple

Product Dimensions: 594mm W x 569.5mm D x 594mm H Warranty: 5 Years



Product Features:

- 5 Functions
- 75L gross oven capacity
- Plastic ergonomic easy grip knobs and fluted steel knobs
- 180° Side-opening door with right-hand side hinges
- Telescopic runners
- Minute minder timer
- Black glass with midnight trim
- Black tinted triple glazed door
- Cavity cooling system



0698993	Right Hand Hinge
0698988	Left Hand Hinge

[Click here](#) for more product information

*By clicking this link you are being taken to an external website.

Appliances

60cm Ceramic Cooktop with Knob Controls **omega**

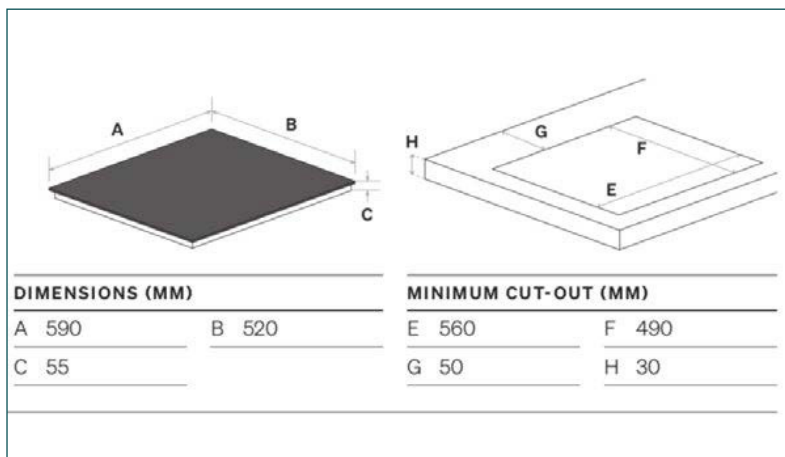
I/No: 0698991 Supplier Code: OCC604KCOM

Product Dimensions: 590mm W x 520mm D x 55mm H Warranty: 5 Years



Product Features:

- 4 Ceramic cooking zones
- 9 Power levels
- Durable DiaCeram® ceramic glass
- Single piece of glass
- Automatic safety shut off
- Child safety lock
- Midnight fluted steel control knobs



[Click here](#) for more product information

*By clicking this link you are being taken to an external website.

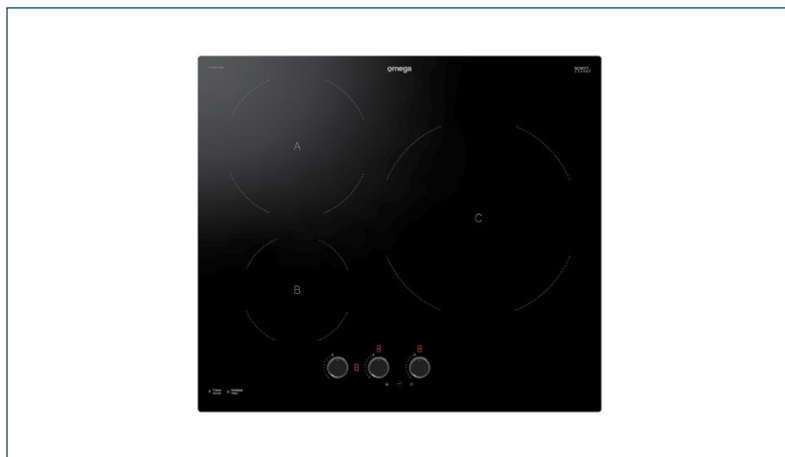
Appliances

60cm Induction Cooktop with Knob Controls



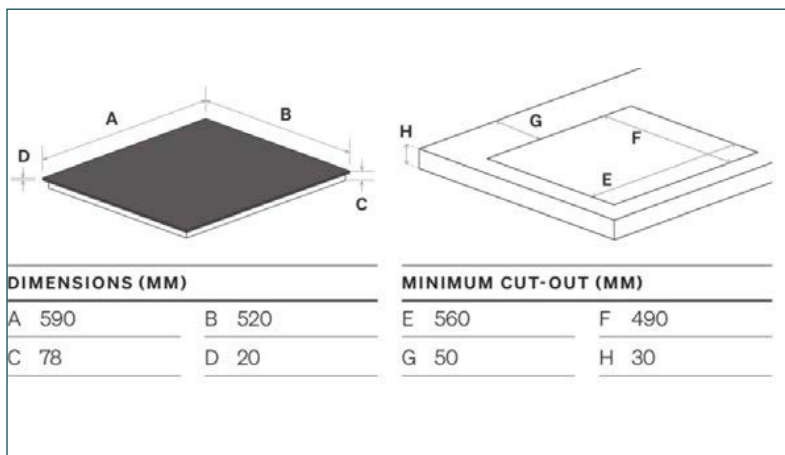
I/No: 0698989 Supplier Code: OCI603KZCOM

Product Dimensions: 590mm W x 520mm D x 62mm H Warranty: 5 Years



Product Features:

- 3 cooking zones; 9 power levels
- Durable EuroKera® ceramic glass - single piece
- Residual heat indicator
- 120-minute auto safety shut off
- Easy grip fluted steel control knobs
- 99 Minute zone timer
- Automatic pan detection



[Click here for more product information](#)

*By clicking this link you are being taken to an external website.

Appliances

Omega 52cm Undermount Rangehood



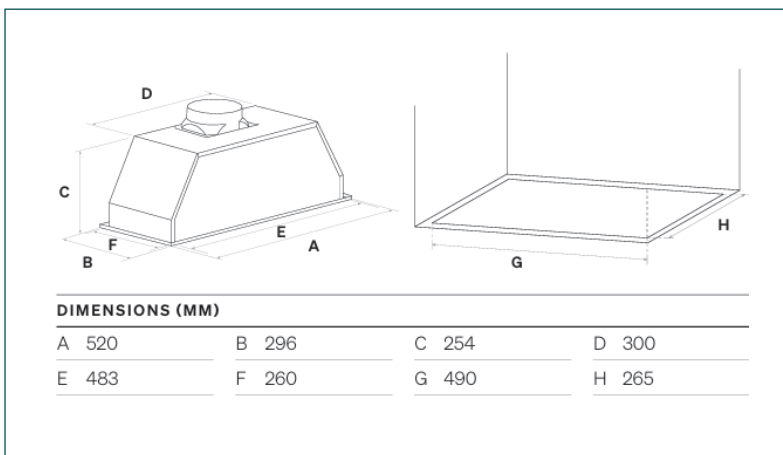
I/No: 0638608 Supplier Code: ORU50PXL

Product Dimensions: 254mm H x 520mm W x 296mm D Warranty: 3 Years



Product Features:

- Streamlined buttonless design
- 52cm undermount
- 3 x speed settings
- Stainless steel finish
- Aluminium mesh filter



[Click here](#) for more product information

*By clicking this link you are being taken to an external website.

BATHROOM

Introduction

Toilets

Shower Tapware

Basins

Basin Tapware

Bathroom Accessories

[Home](#)

Introduction

The SDA Design Standard specifies the following requirements for Bathrooms in High Physical Support builds*:

- Inclusion of a toilet, a shower and a hand wash basin
- Toilet, hand wash basin and tapware must be AS1428.1 compliant and installed to meet clearance and compliancy requirements
- A shower curtain rail should be provided
- A vertical support grab rail needs to be provided to the shower, with provision of height adjustable shower head and hose as per AS1428.1

*The NDIS SDA Design Standard (SDA) must be consulted with respect to design and compliance requirements. The products presented in this catalogue also rely on correct installation to meet the requirements of AS1428.

Toilets

Delta Care Back-to-Wall Extra Height Toilet & Raised Buttons (P-Trap)

fienza

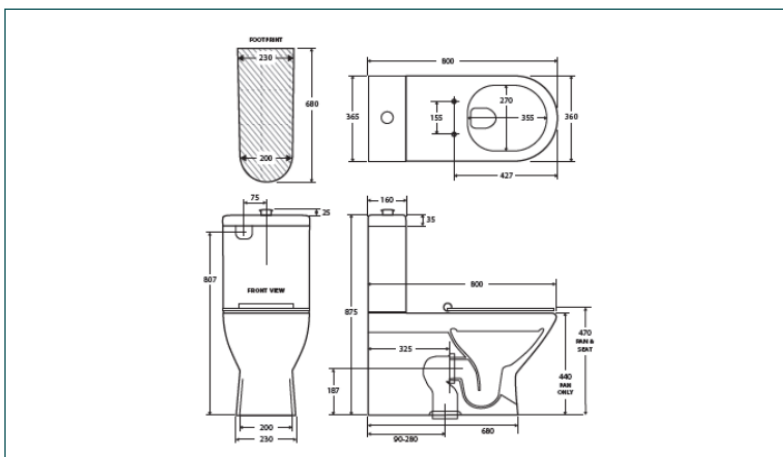
I/No: 0667445 **Supplier Code:** Multiple

Product Dimensions: 875mm H x 365mm W x 800mm D **Warranty:** 3-Years



Product Features:

- Gloss white pan
- Single flap seat
- Raised flush buttons
- Rimless hygienic flush
- R&T Flush system
- Top or bottom inlet
- Left top inlet
- Left or right bottom inlet
- Can install for AS1428.1:2021 accessible compliance
- WELS 4 Star rated, 4.5L/3L (3.2L average flush); WELS Registration L06484



0667445	Grey Seat and Chrome Buttons
1051751	Blue Seat & Blue Buttons K013P
1051747	Black Seat & Black Buttons K013MBP

[Click here](#) for more product information

*By clicking this link you are being taken to an external website.

[Home](#)

Toilets

Delta Care Back-to-Wall Extra Height Toilet & Raised Buttons (S-Trap)

fienza

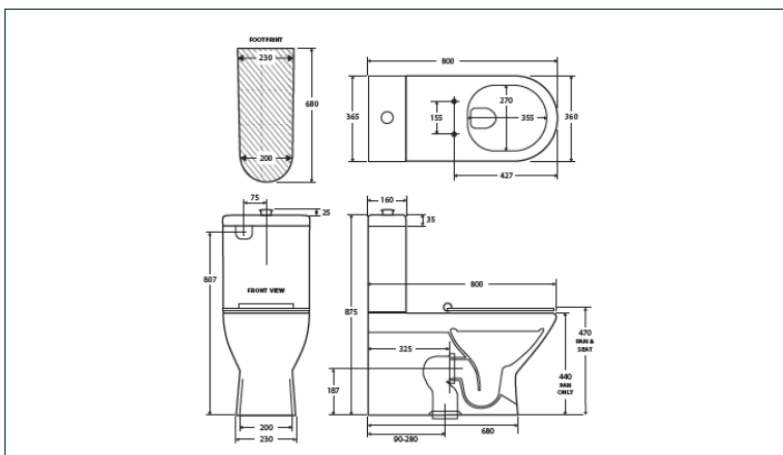
I/No: 0667447 Supplier Code: Multiple

Product Dimensions: 875mm H x 365mm W x 800mm D Warranty: 3 Years



Product Features:

- Gloss white pan
- Single flap seat
- Raised flush buttons
- Rimless hygienic flush
- R&T Flush system
- Top or bottom inlet
- Left top inlet
- Left or right bottom inlet
- Can install for AS1428.1:2021 accessible compliance
- WELS 4 Star rated, 4.5L/3L (3.2L average flush); WELS Registration L06484



0667447	Grey Seat and Chrome Buttons
1051712	Blue Seat & Blue Buttons K013A
1051809	Black Seat & Black Buttons K013MBA

[Click here](#) for more product information

*By clicking this link you are being taken to an external website.

[Home](#)

Toilets

Care Rimless Toilet Suite with Raised Height Pan White Single Flap Seat



I/No: 0666099 **Supplier Code:** HDC692-HEP-800-WWC

Product Dimensions: 385mm W x 800mm D x 870mm H **Warranty:** 15 Years



Product Features:

- Rimless pan hygienic flush
- Vitreous china
- 4 Star – Wels 4.5/3 litres dual flush
- S-trap 90-210mm with P-S002 Connector
- P- trap 180mm
- White soft close single flap seat
- 15 Year limited manufacturer’s warranty
- 1 Year limited commercial warranty

0666099	Rear Inlet
0666109	Bottom Inlet

[Click here](#) for more product information

*By clicking this link you are being taken to an external website.

Toilets

Care Rimless Toilet Suite with Raised Height Pan Grey Single Flap Seat



I/No: 0666107 **Supplier Code:** HDC692-HEP-800-WGG

Product Dimensions: 385mm W x 800mm D x 870mm H **Warranty:** 15 Years



Product Features:

- Rimless pan hygienic flush
- Vitreous china
- 4 Star – Wels 4.5/3 litres dual flush
- S-trap 90-210mm with P-S002 Connector
- P- trap 180mm
- White soft close single flap seat
- 15 Year limited manufacturer’s warranty
- 1 Year limited commercial warranty

0666107	Rear Inlet
0666108	Bottom Inlet

[Click here](#) for more product information

*By clicking this link you are being taken to an external website.

Toilets

Care Rimless Toilet Suite with Raised Height Pan Blue Single Flap Seat



I/No: 0666104 Supplier Code: HDC692-HEP-800-WBB

Product Dimensions: 385mm W x 800mm D x 870mm H Warranty: 15 Years



Product Features:

- Rimless pan hygienic flush
- Vitreous china
- 4 Star – Wels 4.5/3 litres dual flush
- S-trap 90-210mm with P-S002 Connector
- P- trap 180mm
- White soft close single flap seat
- 15 Year limited manufacturer’s warranty
- 1 Year limited commercial warranty

0666104	Rear Inlet
0666096	Bottom Inlet

[Click here](#) for more product information

*By clicking this link you are being taken to an external website.

Toilets

Life Assist Wall Faced Toilet Grey Seat with In Wall Cistern & Flush Plate

JohnsonSuisse
Bathroom Solutions

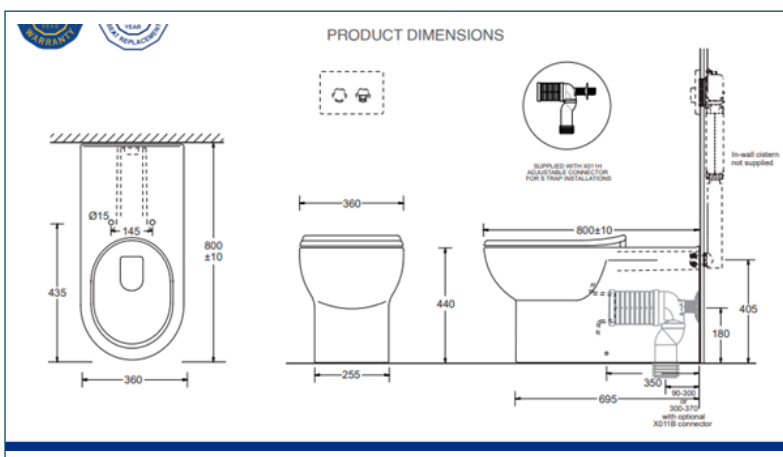
I/No: 0681002 Supplier Code: J2775.RB6044G

Product Dimensions: 440mm H x 360mm W x 800mm D Warranty: 25 Years



Product Features:

- Extra-height WC pan with grey seat and flush button options
- Can be installed to meet AS1428.1 – 2021 compliance
- WC Pan - WELS 4 Star, 4.6/3.0L (3.3L average flush) L06745
- Concealed in-wall cistern - box mounted
- Flush pipe fittings included
- Adjustable S connector supplied for 90- 300mm set out
- WELS 4 Star, 4.6/3.1L (3.4L average flush) L06740



0681002	Wall Faced Toilet - Grey Seat
0101881	Econoflush Air In-Wall Cistern Boxed
0101873	Chrome Raised Button
0101874	Blue Raised Button

[Click here](#) for more product information

*By clicking this link you are being taken to an external website.

[Home](#)

Toilets

Life Assist Wall Faced Toilet White Seat with in Wall Cistern & Flush Plate

JohnsonSuisse
Bathroom Solutions

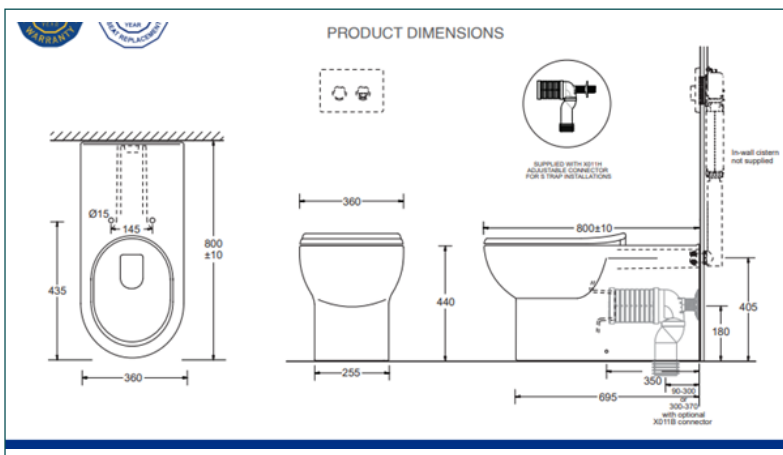
I/No: 0680987 Supplier Code: J2775.RB6044W

Product Dimensions: 440mm H x 360mm W x 800mm D Warranty: 25 Years



Product Features:

- Extra-height WC pan with white seat and flush button options
- Can be installed to meet AS1428.1 – 2021 compliance
- WC Pan - WELS 4 Star, 4.6/3.0L (3.3L average flush) L06745
- Concealed in-wall cistern - box mounted
- Flush pipe fittings included
- Adjustable S connector supplied for 90- 300mm set out
- WELS 4 Star, 4.6/3.1L (3.4L average flush) L06740



0680987	Wall Faced Toilet - White Seat
0101881	Econoflush Air In-Wall Cistern Boxed
0101873	Chrome Raised Button
0101874	Blue Raised Button

[Click here](#) for more product information

*By clicking this link you are being taken to an external website.

[Home](#)

Toilets

Life Assist Wall Faced Toilet Blue Seat with In Wall Cistern & Flush Plate

JohnsonSuisse
Bathroom Solutions

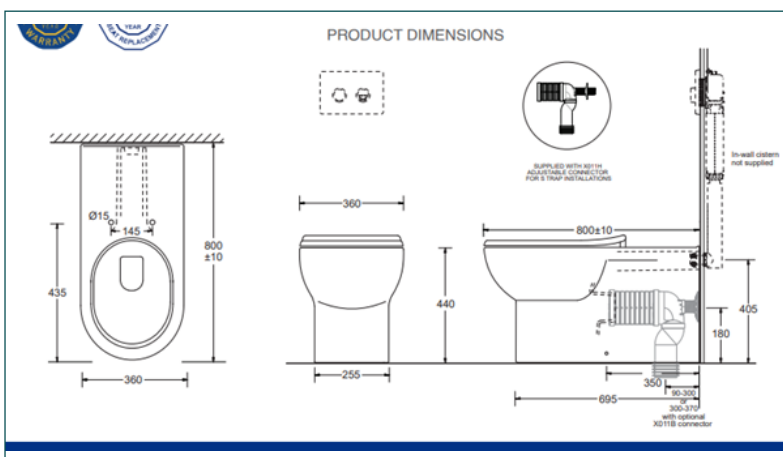
I/No: 0680998 **Supplier Code:** J2775.RB6044B

Product Dimensions: 440mm H x 360mm W x 800mm D **Warranty:** 25 Years



Product Features:

- Extra-height WC pan with blue seat and flush button options
- Can be installed to meet AS1428.1 – 2021 compliance
- WC Pan - WELS 4 Star, 4.6/3.0L (3.3L average flush) L06745
- Concealed in-wall cistern - box mounted
- Flush pipe fittings included
- Adjustable S connector supplied for 90- 300mm set out
- WELS 4 Star, 4.6/3.1L (3.4L average flush) L06740



0680998	Wall Faced Toilet - Grey Seat
0101881	Econoflush Air In-Wall Cistern Boxed
0101873	Chrome Raised Button
0101874	Blue Raised Button

[Click here](#) for more product information

*By clicking this link you are being taken to an external website.

[Home](#)

Toilets

Modia Care In-Wall Floor Mount Toilet Pan 800mm - Blue Seat

SEIMA

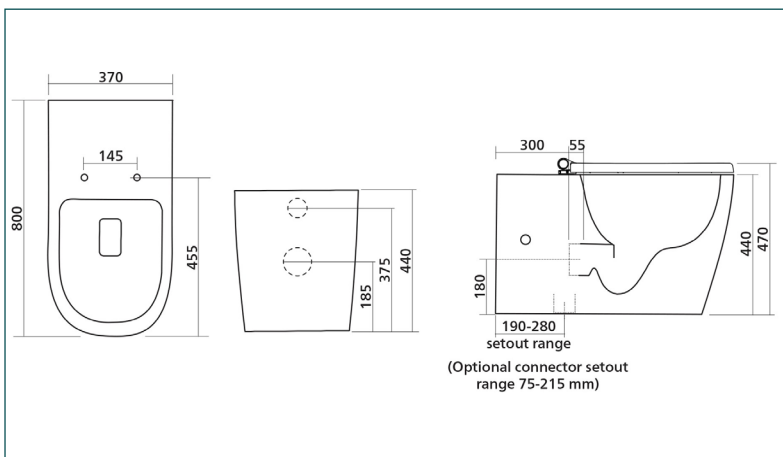
I/No: 1013100 Supplier Code: 191967

Product Dimensions: 470mm H x 370mm W x 800mm D Warranty: 20 Years



Product Features:

- Stylish minimalist design, sits flat against wall
- Clean Flush rimless pan design for an efficient, powerful flush
- White vitreous china, easy to clean
- Easy Care Height - pan height 440 mm
- Care toilet seat, choice of colours
- Quick release toilet seat for easy removal and cleaning



1013100	Floor Mount Toilet Pan with Blue Seat
1013099	80mm Pneumatic In Wall Cistern
0192061	Raised metal flush button chrome

[Click here](#) for more product information

*By clicking this link you are being taken to an external website.

[Home](#)

Toilets

Modia Care In-Wall Floor Mount Toilet Pan 800mm - White Seat

SEIMA

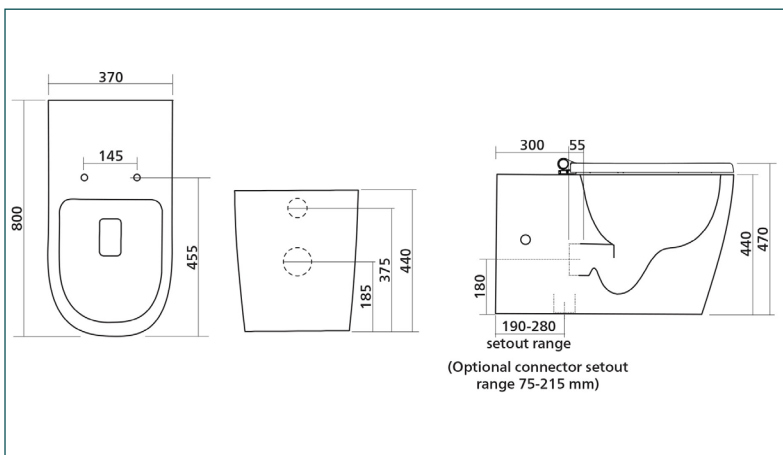
I/No: 1013098 Supplier Code: 191968

Product Dimensions: 470mm H x 370mm W x 800mm D Warranty: 20 Years



Product Features:

- Stylish minimalist design, sits flat against wall
- Clean Flush rimless pan design for an efficient, powerful flush
- White vitreous china, easy to clean
- Easy Care Height - pan height 440 mm
- Care toilet seat, choice of colours
- Quick release toilet seat for easy removal and cleaning



1013098	Floor Mount Toilet Pan with White Seat
1013099	80mm Pneumatic In Wall Cistern
0192061	Raised metal flush button chrome

[Click here](#) for more product information

*By clicking this link you are being taken to an external website.

[Home](#)

Toilets

Modia Care In-Wall Floor Mount Toilet Pan 800mm - Grey Seat

SEIMA

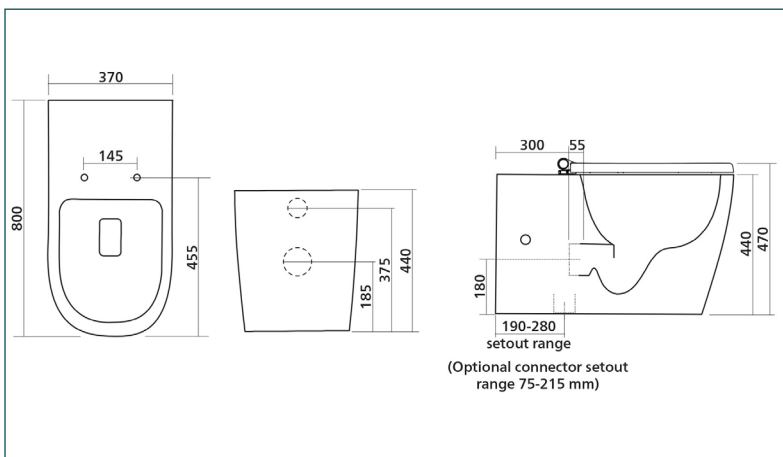
I/No: 1013097 Supplier Code: 192419

Product Dimensions: 470mm H x 370mm W x 800mm D Warranty: 20 Years



Product Features:

- Stylish minimalist design, sits flat against wall
- Clean Flush rimless pan design for an efficient, powerful flush
- White vitreous china, easy to clean
- Easy Care Height - pan height 440 mm
- Care toilet seat, choice of colours
- Quick release toilet seat for easy removal and cleaning



1013097	Floor Mount Toilet Pan with Grey Seat
1013099	80mm Pneumatic In Wall Cistern
0192061	Raised metal flush button chrome

[Click here](#) for more product information

*By clicking this link you are being taken to an external website.

[Home](#)

Shower Tapware

Care Rail Shower with Push/Pull Slider

fienza

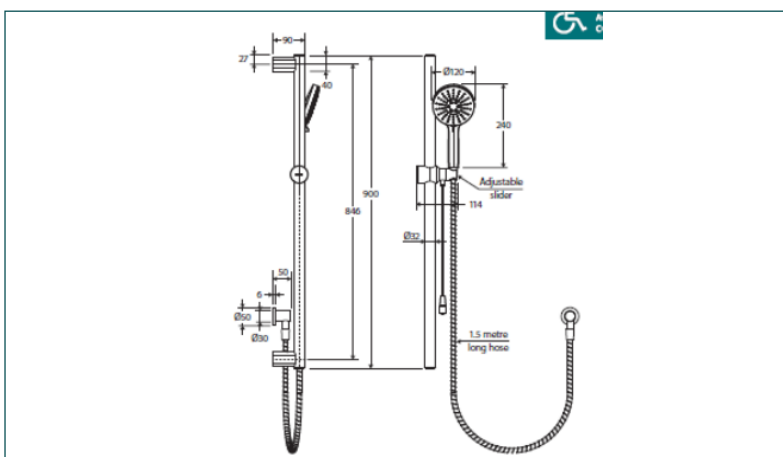
I/No: 1048754 **Supplier Code:** 444119

Product Dimensions: 900mm H x 32mm W x 90mm D **Warranty:** 1 Year



Product Features:

- Can be installed for AS 1428.1:2021 Accessible compliance
- Backflow prevention dual check/ non-return valve
- Smooth sliding action to easily adjust height and angle of hand shower
- Ergonomic easy grip handle with 383 mm length for easy access by seated users
- WELS 3 Star rated, 9L/min
- WELS Registration: S18869



1048754	Chrome 444119-P	
1048740	Brushed Nickel 444119BN-P	
1048747	Urban Brass 444119UB-P	
1048738	Matt Black 444119B-P	

[Click here for more product information](#)

*By clicking this link you are being taken to an external website.

Shower Tapware

Living 900mm 3 Function Grab Rail Shower Set

Johnson.Suisse
Bathroom Solutions

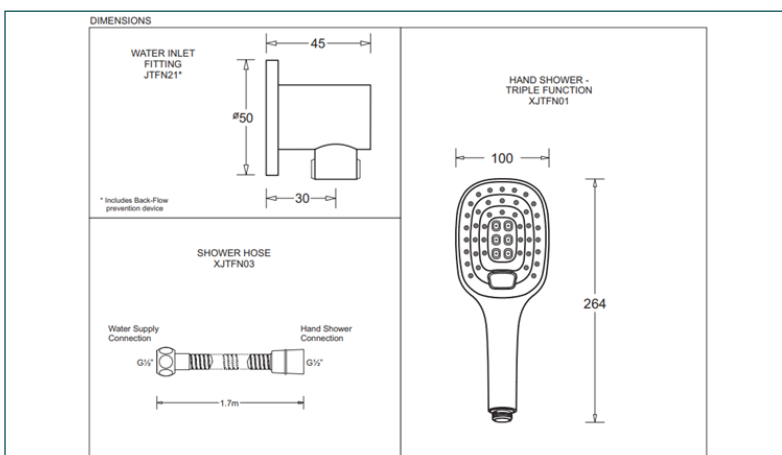
I/No: 0680927 Supplier Code: BR1090.JTFN

Product Dimensions: 100mm W x 900mm H Warranty: 20 Years



Product Features:

- Provides sturdy hand grip support around showers
- Compliant with AS1428.1 Design for Access and Mobility
- 32mm diameter rail for comfortable grip
- Secure concealed flange fixing system
- Chrome plated, water inlet fitting (wall mounted) with Back-Flow prevention device
- 1.7m Chrome finished shower hose
- Hand shower – attractive chrome face and silicone nozzles
- WELS 3 star, 8.5L/min S14882
- Bracket mounts to a 32mm vertical grabrail
- Reversible for left/right fitting
- Durable chrome finish



[Click here](#) for more product information

*By clicking this link you are being taken to an external website.

[Home](#)

Shower Tapware

Empire Slim Wall Mixer Round Plate

fienza

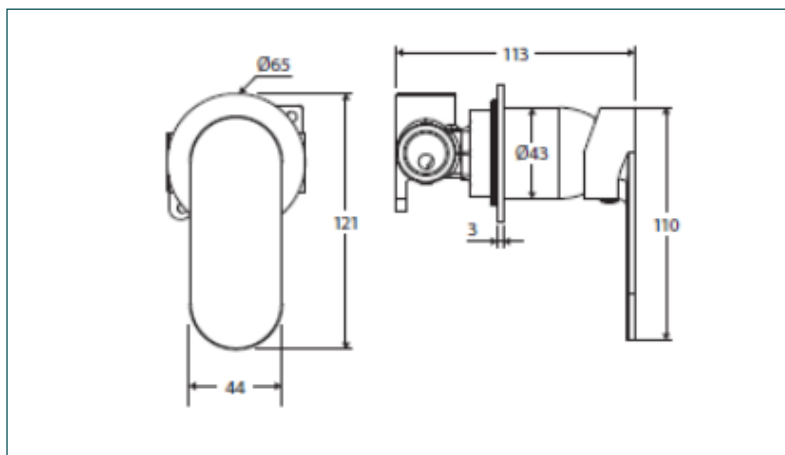
I/No: 1051693 **Supplier Code:** 234101




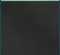
Product Dimensions: 65mm W x 110mm H x 113mm D **Warranty:** 15 Years



Product Features:

- Designed for shower and bath
- High quality European cartridge (35mm)
- Made from stainless steel
- WELS rating not required



1051693	Chrome 234101-2-LF	
1051690	Brushed Nickel 234101BN-2-LF	
1051764	Urban Brass 234101UB-2-LF	
1051696	Matt Black 234101B-2-LF	

[Click here](#) for more product information

*By clicking this link you are being taken to an external website.

 Home

Shower Tapware

Fienza Kaya Wall Mixer

fienza

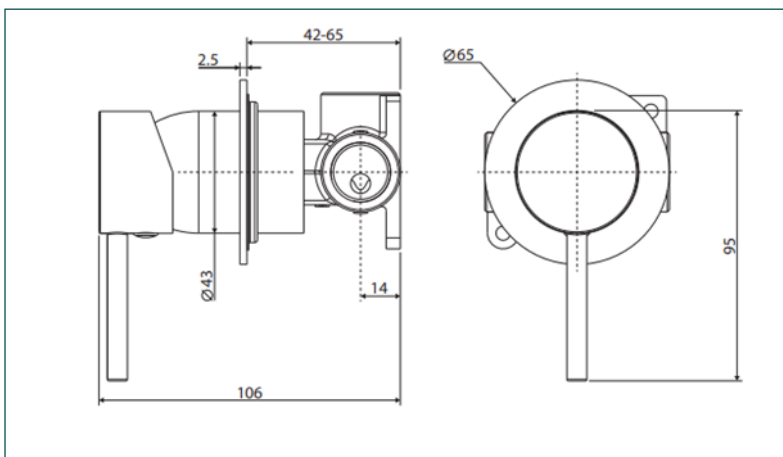
I/No: 1051854 **Supplier Code:** 228101



Product Dimensions: 65mm W x 95mm H x 106mm D **Warranty:** 15 Years



Product Features:

- Electroplated finish
- Designed for shower and bath
- Round, pin lever handle
- Made from solid brass
- High quality European cartridge (35mm)



1051854	Chrome 228101-LF	
1051784	Brushed Nickel 228101BN-LF	
1051774	Urban Brass 228101UB-LF	
1051856	Matt Black 228101B-LF	

[Click here](#) for more product information

*By clicking this link you are being taken to an external website.

 Home

Basins

Tono Care Wall Basin 1TH

fienza

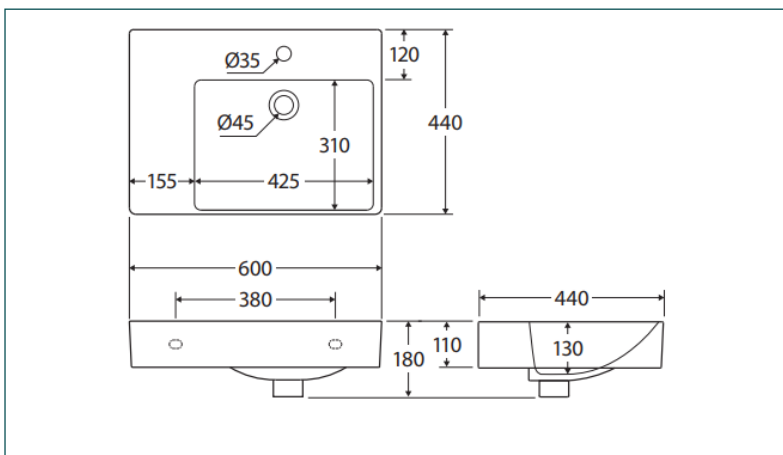
I/No: 1051828 Supplier Code: RB5042

Product Dimensions: 110mm H x 600mm W x 440mm D Warranty: 5 Years



Product Features:

- Can install for AS 1428.1:2021 compliance
- Contemporary thin rim design
- Integrated shelf for extra storage space
- Gloss white vitreous china
- Built-in overflow
- Requires 32mm overflow waste (not included)
- Chrome overflow ring and wall mounting bolts included



1051828	Right Hand Bowl RB5042R-1
1051826	Left Hand Bowl RB5042L-1

[Click here](#) for more product information

*By clicking this link you are being taken to an external website.

[Home](#)

Basins

Limni 720 Wall Basin 1TH

SEIMA

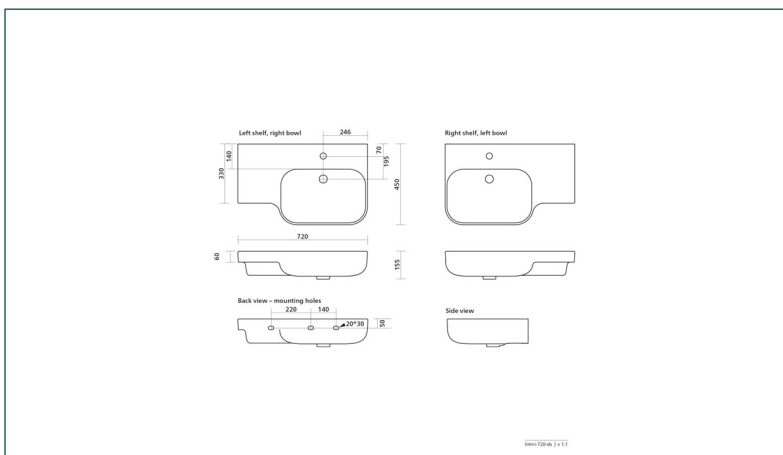
I/No: 1013096 **Supplier Code:** Multiple

Product Dimensions: 720mm L x 450mm W x 155mm H **Warranty:** 20 years



Product Features:

- Can be installed to be AS1428.1 Compliant
- 1 Tap hole
- Suits 32mm waste (not included)
- Integrated overflow
- Vitreous china



1013096	Right Hand Bowl 192304
1013095	Left Hand Bowl 192306

[Click here](#) for more product information

*By clicking this link you are being taken to an external website.

[Home](#)

Basin Tapware

Universal Bottle Trap

fienza

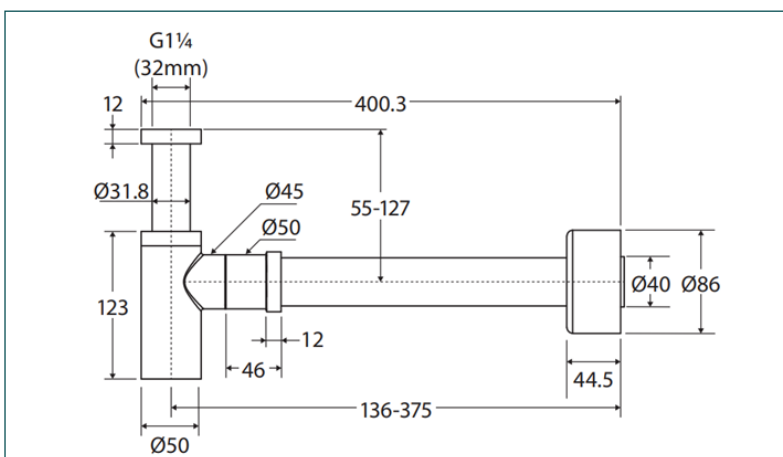
I/No: 1051813 Supplier Code: BTRAP

Product Dimensions: 400.3mm L x 50mm W Warranty: 1 Year



Product Features:

- Can be installed for AS1428.1:2021 Accessible compliance
- Designed for use with wall mounted basins
- Colours match Fienza tapware, showers and accessories
- Adjustable height and length
- Suits 32 mm basin wastes
- Made from solid brass



1051813	Chrome BTRAPF	
1051776	Brushed Nickel BTRAPBN	
1051807	Urban Brass BTRAPUB	
1051735	Matt Black BTRB	

[Click here](#) for more product information

*By clicking this link you are being taken to an external website.

Home

Basin Tapware

Bottle Trap Wall Exit

SEIMA

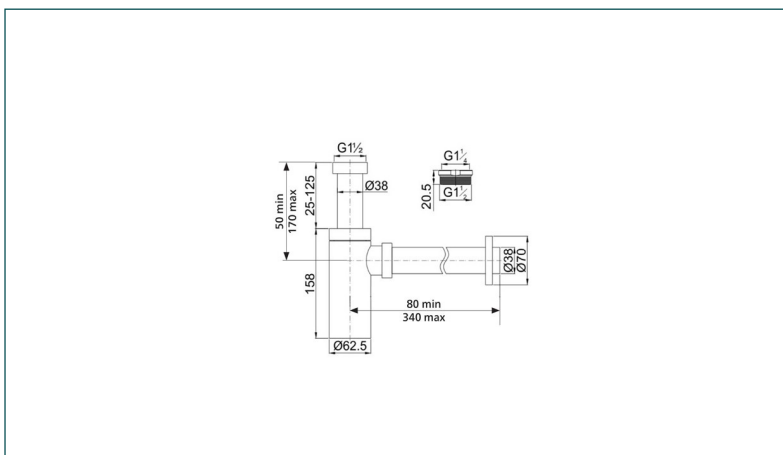
I/No: 1013101 **Supplier Code:** 191822

Product Dimensions: 340mm L x 62.5mm W x 283mm H **Warranty:** 5 Years



Product Features:

- Suits 40mm Wastes
- Wall exit
- Solid brass base



[Click here for more product information](#)

*By clicking this link you are being taken to an external website.

[Home](#)

Basin Tapware

Micro Basin Trap

fienza

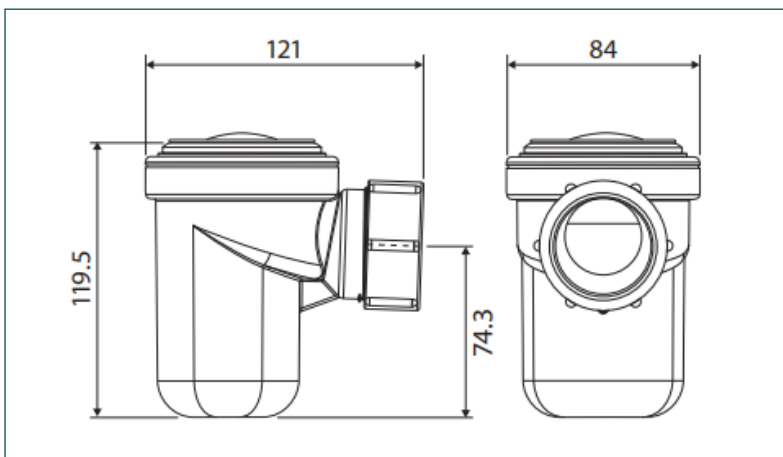
I/No: 1051731 Supplier Code: MICROTRAP

Product Dimensions: 121mm L x 119.5mm H x 84mm W Warranty: 1 Year



Product Features:

- Ideal for AS1428.1 Accessible compliant basin installations
- Suitable for all basins with internal overflows
- Suitable for most 32mm and 40mm basins
- Made from solid brass pop-up waste with chrome finish
- White PVC body



[Click here](#) for more product information

*By clicking this link you are being taken to an external website.

[Home](#)

Basin Tapware

Universal Pop Up Waste with Overflow

fienza

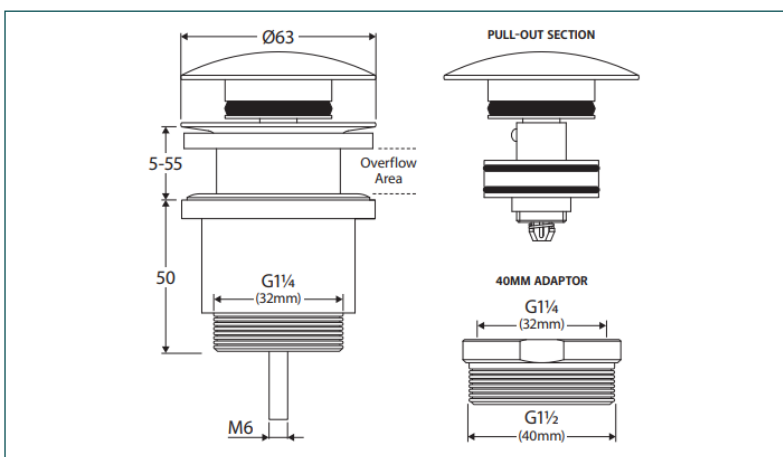
I/No: 1051773 Supplier Code: WAS72

Product Dimensions: 50mm H x 63mm W Warranty: 1 Year



Product Features:

- Designed for use with basins only
- Entire top section pulls out for easy cleaning and draining
- Brass dome cap
- Convertible for use with or without an overflow (overflow adjusted by centre screw)
- Suits 32mm or 40mm outlet (40mm requires use of included adaptor)



1051773	Chrome WAS72	
1051724	Brushed Nickel WAS72BN	
1051738	Urban Brass WAS72UB	
1051789	Matt Black WAS72MB	

[Click here](#) for more product information

*By clicking this link you are being taken to an external website.

[Home](#)

Basin Tapware

Empire Care Basin Mixer

fienza

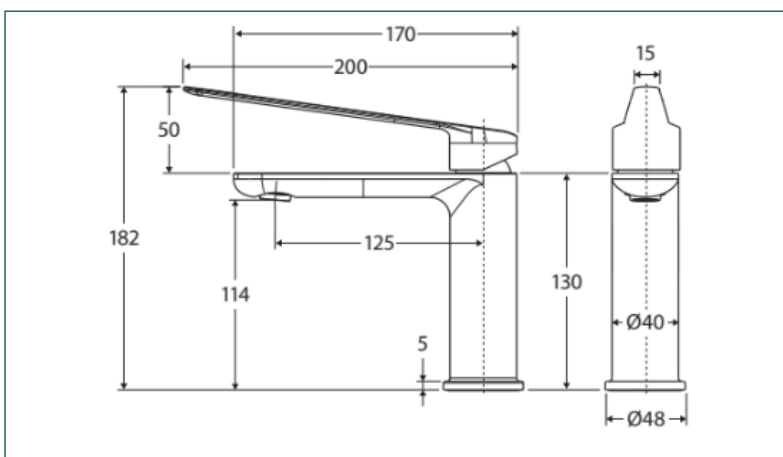
I/No: 1051796 **Supplier Code:** 234013D-LF


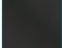
Product Dimensions: 182mm H x 48mm W x 200mm D **Warranty:** 5 Years



Product Features:

- Can be installed for AS 1428.1:2021 Accessible Compliance
- Long handle for easy reach and operation
- Large red and blue indicators for hot and cold markings
- Cold start cartridge technology (25 mm) for energy efficiency
- Made from lead-free brass*
- WELS 6 Star rated, 4.5L/min
- WELS Registration: T43829



1051796	Chrome 234103D-LF	
1051811	Brushed Nickel 234103DBN-LF	
1051772	Urban Brass 234103DUB-LF	
1051853	Matt Black 234103DB-LF	

[Click here](#) for more product information

*By clicking this link you are being taken to an external website.

[Home](#)

Basin Tapware

Kaya Care Basin Mixer

fienza

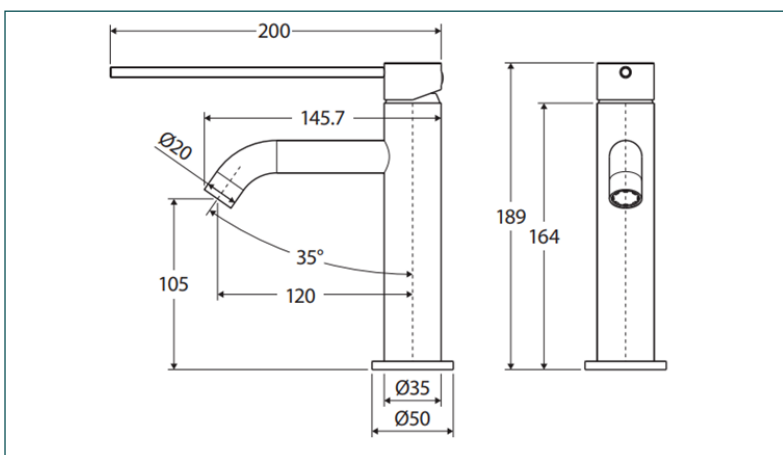
I/No: 1051840 **Supplier Code:** Multiple

Product Dimensions: 189mm H x 50mm W x 200mm D **Warranty:** 5 Years



Product Features:

- Can be installed for AS1428.1:2021 Accessible Compliance
- Long handle for easy reach and operation
- Large red and blue indicators for hot and cold markings
- High quality European cartridges (25mm)
- PEX split-resistant hoses
- Made from Stainless Steel
- WELS 5 Star rated, 5L/min



1051840	Chrome 228103D-LF	
1051739	Brushed Nickel 228103DBN-LF	
1051851	Urban Brass 228103DUB	
1051742	Matt Black 228103DB-LF	

[Click here](#) for more product information

*By clicking this link you are being taken to an external website.

[Home](#)

Basin Tapware

Life Assist Extended Lever Basin Mixer

Johnson.Suisse
Bathroom Solutions

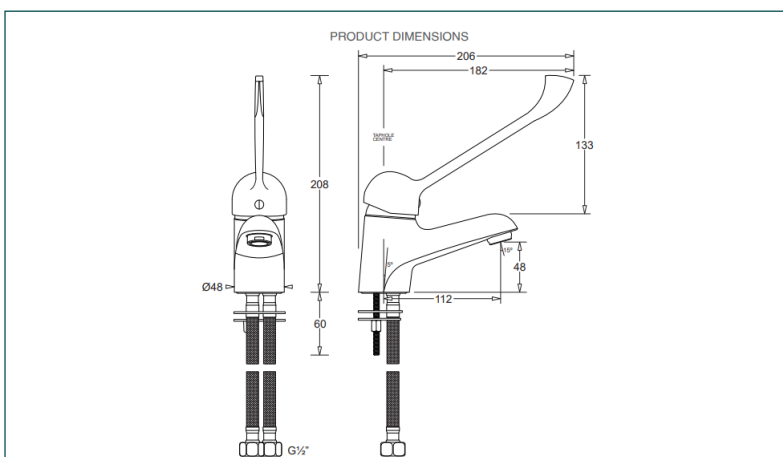
I/No: 5003965 **Supplier Code:** JTL123CHLF

Product Dimensions: 187mm H x 155mm D x 51mm W **Warranty:** 25 Years



Product Features:

- Special purpose basin mixer tap with a fixed spout
- Extended lever design - suitable for assisted living installations
- May be installed in compliance with AS1428.1 for accessible applications
- 40mm ceramic disc provides accurate flow and mixing control
- Durable chrome finish with Lead Free DZR brass construction
- WELS 6 Star, 3.5L/min. T43678



[Click here](#) for more product information

*By clicking this link you are being taken to an external website.

[Home](#)

Bathroom Accessories

Shower Curtain Curved Track System

Bradley

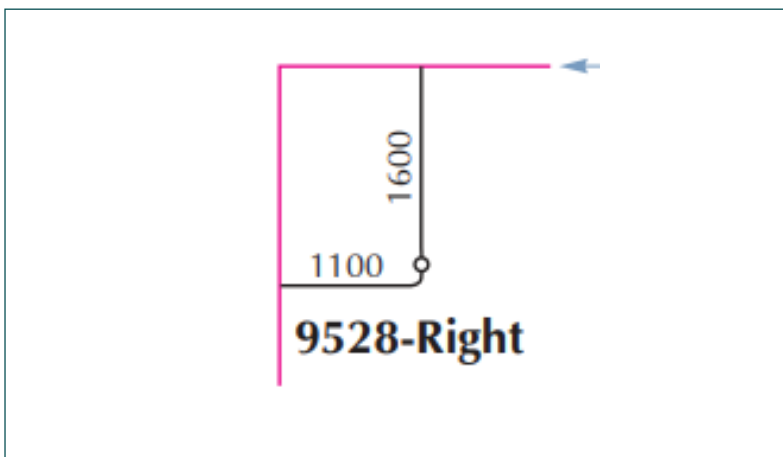
I/No: 0327757 **Supplier Code:** 9528-CNR

Product Dimensions: 1200mm x 1200mm Curved **Warranty:** 1 Year



Product Features:

- Shower curtain track system
- 25mm track with hooks
- Colour: Silver
- Material: Aluminium



[Click here](#) for more product information

*By clicking this link you are being taken to an external website.

[Home](#)

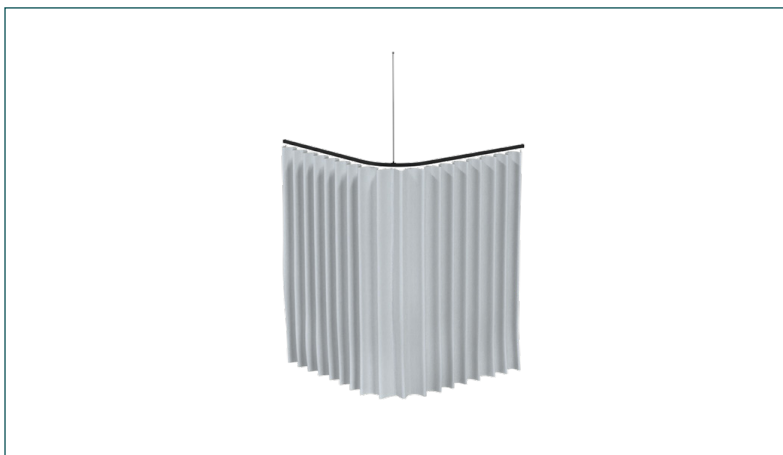
Bathroom Accessories

L Bend Shower Curtain Track System



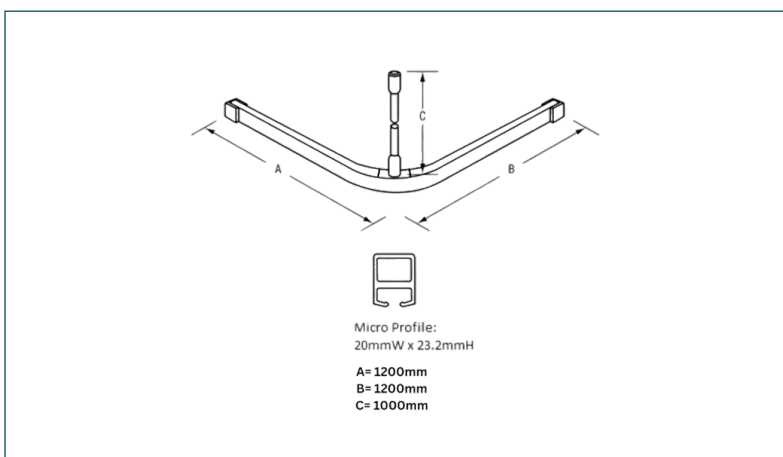
I/No: N/A Supplier Code: Multiple

Product Dimensions: 1200mm x 1200mm Warranty: 1 Year



Product Features:

- Anodised aluminium track
- Anodised aluminium ceiling suspension rod, hooks and wall mount bracket
- Tracks and rods can be cut to size
- Curtain sold separately



N/A	Anodised Aluminium
N/A	Matt Black

[Click here](#) for more product information

*By clicking this link you are being taken to an external website.

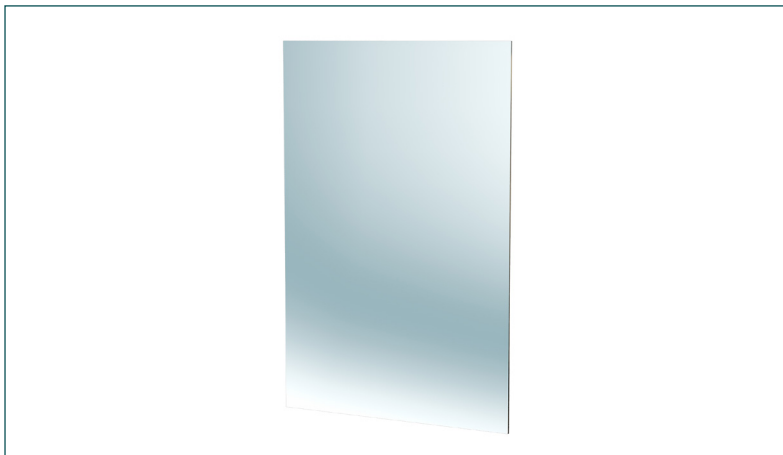
[Home](#)

Bathroom Accessories

Flat Edge Mirror



I/No: 0029907 **Supplier Code:** Multiple
Product Dimensions: Various **Warranty:** 1 Year



Product Features:

- Polished bevel edge design
- 5mm glass thickness
- Vinyl backing
- Easy DIY installation

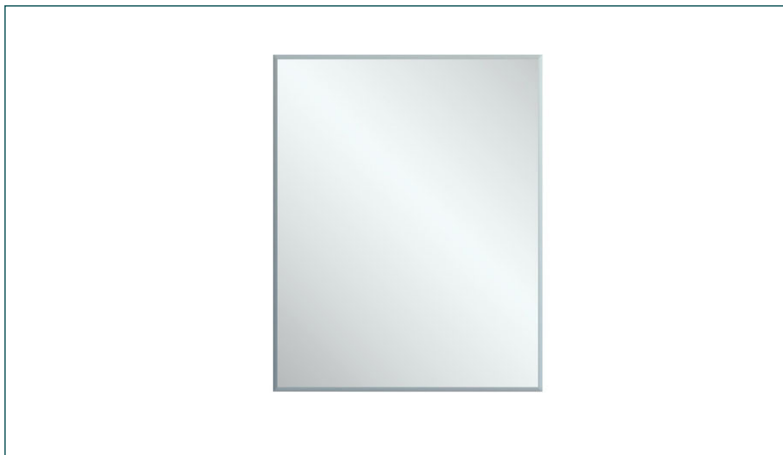
0029907	600x900x5mm
0029912	750x900x5mm
0029908	900x900x5mm

Bathroom Accessories

Bevel Edge Mirror

fienza

I/No: 0038098 **Supplier Code:** Multiple
Product Dimensions: Various **Warranty:** 1 Year



Product Features:

- Bevel edge
- CAT acrylic backing and resin emulsion painted to protect against corrosion and black spots
- 5mm thick glass
- Copper free to prevent corrosion
- Can be mounted in portrait or landscape orientation using pre-attached, non-removable brackets

0038098	600x750x5mm
0018360	750x900x5mm
0018361	900x900x5mm

[Click here](#) for more product information

*By clicking this link you are being taken to an external website.

[Home](#)

Contact us for all your business needs

Phone

134 Trade

Email

sda@bunnings.com.au

Visit

trade.bunnings.com.au/about-us/sda-solutions