



18V BRUSHLESS

# PLANTING & DIGGING TOOL

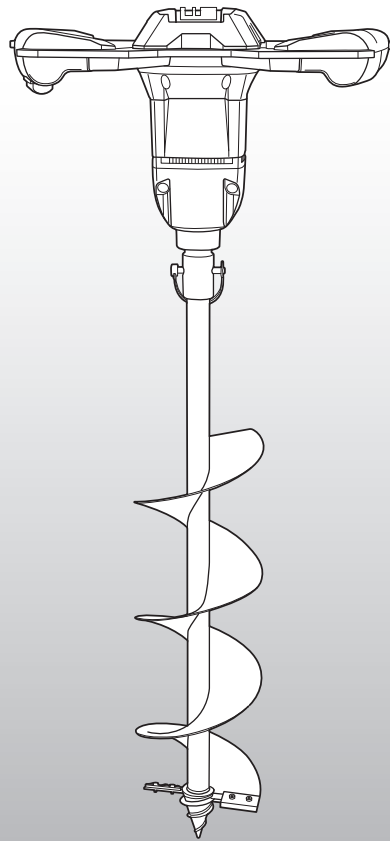
## INSTRUCTION MANUAL

### SPECIFICATIONS

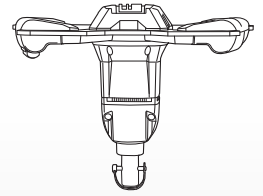
Input:	18V
No Load Speed:	120/min
Soil Auger:	Ø150 x 800mm
Drill Depth:	600mm
Spindle:	Ø19.80mm
Noise Rating:	89.1dB
Tool Weight:	8.2kg

ozito.com.au

**5 YEAR**  
REPLACEMENT WARRANTY



### STANDARD EQUIPMENT



Planting & Digging Tool



Soil Auger

**PXPDT-018**

## WARRANTY

IN ORDER TO MAKE A CLAIM UNDER THIS WARRANTY YOU MUST RETURN THE PRODUCT TO YOUR NEAREST BUNNINGS WAREHOUSE WITH YOUR BUNNINGS REGISTER RECEIPT. PRIOR TO RETURNING YOUR PRODUCT FOR WARRANTY PLEASE TELEPHONE OUR CUSTOMER SERVICE HELPLINE:

**Australia 1800 069 486**

**New Zealand 0508 069 486**

TO ENSURE A SPEEDY RESPONSE PLEASE HAVE THE MODEL NUMBER AND DATE OF PURCHASE AVAILABLE. A CUSTOMER SERVICE REPRESENTATIVE WILL TAKE YOUR CALL AND ANSWER ANY QUESTIONS YOU MAY HAVE RELATING TO THE WARRANTY POLICY OR PROCEDURE.

### WARNING

The following actions will result in the warranty being void.

- If the tool has been operated on a supply voltage other than that specified on the tool.
- If the tool shows signs of damage or defects caused by or resulting from abuse, accidents or alterations.
- Failure to perform maintenance as set out within the instruction manual.
- If the tool is disassembled or tampered with in any way.
- Professional, industrial or high frequency use.

The benefits provided under this warranty are in addition to other rights and remedies which are available to you at law.

Our goods come with guarantees that cannot be excluded at law. You are entitled to a replacement or refund for a major failure and for compensation for any other reasonably foreseeable loss or damage. You are also entitled to have the goods repaired or replaced if the goods fail to be of acceptable quality and the failure does not amount to a major failure.

Generally you will be responsible for all costs associated with a claim under this warranty, however, where you have suffered any additional direct loss as a result of a defective product you may be able to claim such expenses by contacting our customer service helpline above.

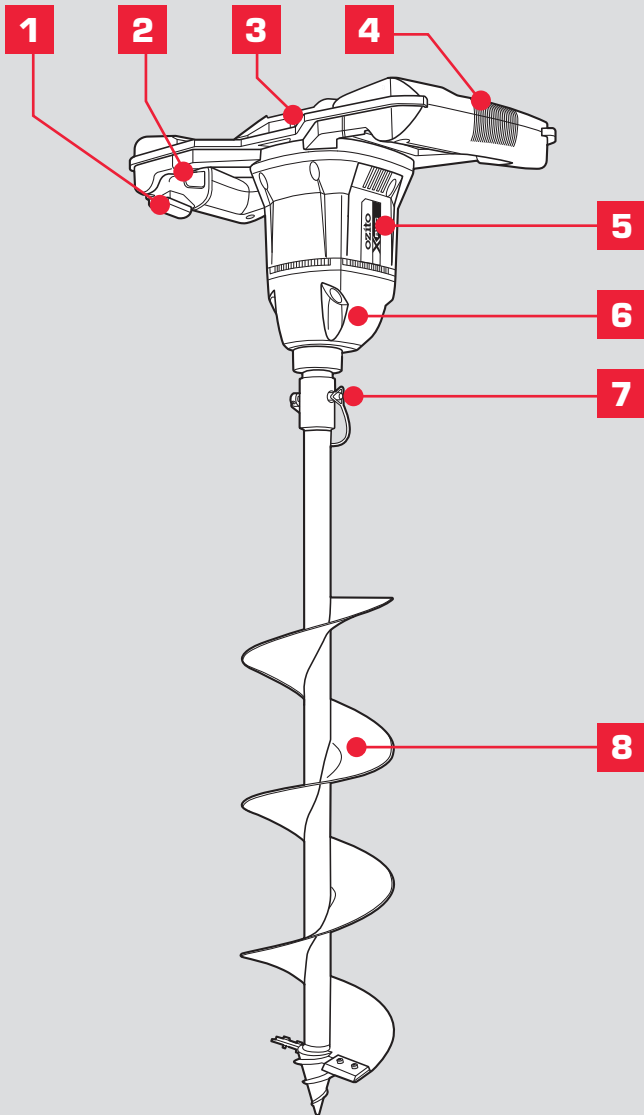
### 5 YEAR REPLACEMENT WARRANTY

Your Product is guaranteed for a period of 60 months from the original date of purchase and is intended for DIY (Do It Yourself) use only. If a product is defective it will be replaced in accordance with the terms of this warranty. **Lithium Ion batteries and chargers are covered by a 36 month warranty.** Warranty excludes consumable parts, for example: soil auger.

# KNOW YOUR PRODUCT

## BRUSHLESS PLANTING & DIGGING TOOL

1. On/Off Trigger
2. Safety Switch
3. Battery Seating
4. Sure Grip Handle
5. Motor Housing
6. Gear Box Housing
7. Locking Pin
8. Soil Auger



## BATTERY & CHARGER

This tool is compatible with all battery and chargers from Ozito Power X Change Range.

## ONLINE MANUAL

Scan this QR Code with your mobile device to take you to the online manual.



**5 YEAR**  
REPLACEMENT WARRANTY

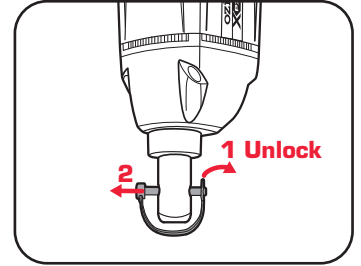
# SETUP & PREPARATION

## 1. ASSEMBLY

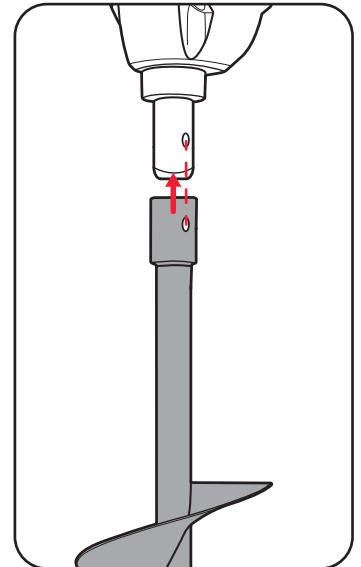
**WARNING!** ENSURE THE TOOL IS SWITCHED OFF AND BATTERY DISCONNECTED BEFORE PERFORMING ANY OF THE FOLLOWING TASKS.

### Fitting the Soil Auger

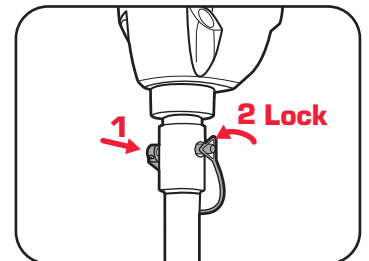
1. Unlock and remove the locking pin from the spindle.



2. Align the holes on the soil auger and the spindle, then insert the soil auger onto the spindle.



3. Insert the locking pin through the soil auger and the spindle. Lock the pin to secure.



**WARNING!** DO NOT USE ANY ATTACHMENTS OR ACCESSORIES NOT RECOMMENDED BY THE MANUFACTURER OF THIS PRODUCT, AS IT CAN RESULT IN SERIOUS PERSONAL INJURY.

**5 YEAR**  
REPLACEMENT WARRANTY

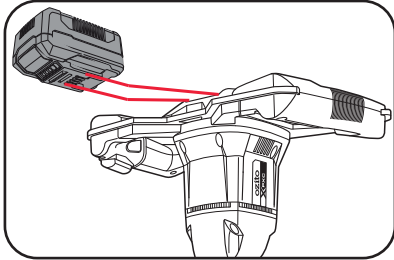
# OPERATION

## 2. INSERTING & REMOVING THE BATTERY

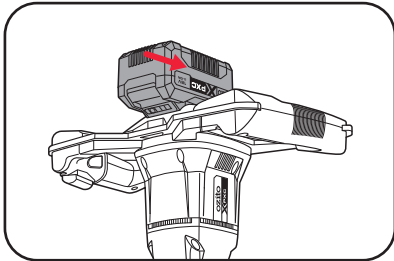
### Inserting the Battery Pack

For best performance use 4.0Ah battery and above.

1. Align the ribs of the battery with the recess in the rear of the battery seating.

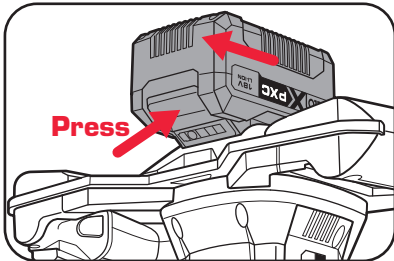


2. Slide the battery in so that it clicks into place.



### Removing the Battery Pack

1. Press and hold the battery release tab and slide the battery out from the tool.



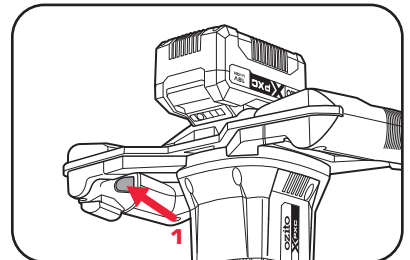
## 3. CONTROLS & OPERATION

### Switching On and Off

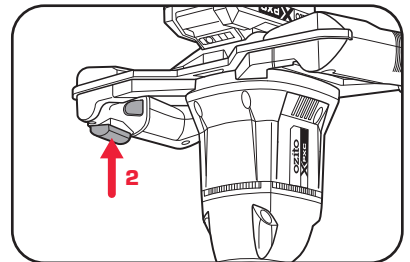
**WARNING!** ALWAYS HOLD THE BRUSHLESS PLANTING & DIGGING TOOL WITH BOTH HANDS.

For user safety the brushless planting & digging tool is equipped with a two-handed safety switch. It works only when the safety switch is pressed and the on/off trigger are operated simultaneously.

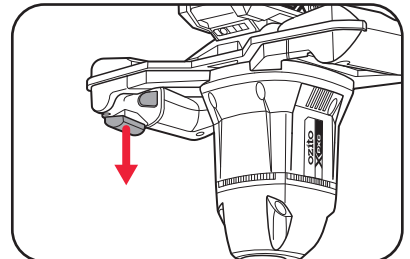
1. Press and hold the safety switch with your thumb.



2. To start, squeeze the on/off trigger.



3. To stop, release the on/off trigger.



**WARNING!** THE BRUSHLESS PLANTING & DIGGING TOOL MAY RUN FOR A FEW SECONDS AFTER IT HAS BEEN SWITCHED OFF. LET THE MOTOR COME TO A COMPLETE STANDSTILL BEFORE SETTING THE TOOL DOWN.

**WARNING!** INSPECT THE AREA TO ENSURE THAT THERE IS NO UNDERGROUND ELECTRIC CABLE, GAS AND WATER PIPES BEFORE OPERATION.

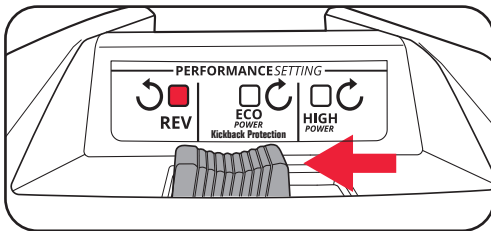
**WARNING!** IF THE SOIL AUGER JAMS ON ANY ELECTRICAL CORD OR LINE, DO NOT TOUCH THE SOIL AUGER! IT CAN BECOME ELECTRICALLY LIVE AND VERY DANGEROUS. CONTINUE TO HOLD THE BRUSHLESS PLANTING & DIGGING TOOL BY THE SURE GRIP HANDLES OR LAY IT DOWN AND AWAY FROM YOU IN A SAFE MANNER. DISCONNECT THE ELECTRICAL SERVICE TO THE DAMAGED LINE OR CORD BEFORE ATTEMPTING TO FREE THE SOIL AUGER. FAILURE TO HEED THIS WARNING MAY RESULT IN SERIOUS PERSONAL INJURY OR POSSIBLE DEATH.

## Performance Setting

Allows user to select optimum setting for drilling conditions and individual requirements. **Kickback Protection** will automatically engage in clockwise rotation in the **ECO Power** setting when the soil auger jams to ensure user safety.

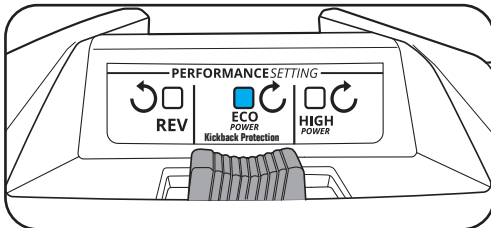
**REV:** Reverse rotation.

Switch on the left side Red LED illuminated. Anti-clockwise rotation. Use to assist removal of the soil auger from the hole.



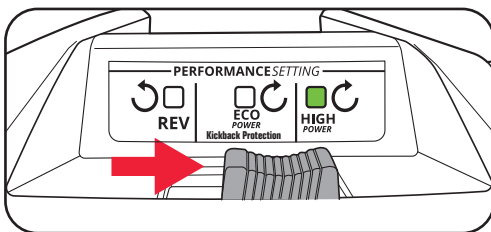
**ECO Power:** Clockwise economy rotation with **Kickback Protection**.

Switch middle position Blue LED illuminated. Regular force setting for easy drilling tasks in soft ground.



**HIGH Power:** Clockwise rotation.

Switch on the right side Green LED illuminated. Maximum force setting for tough drilling conditions.



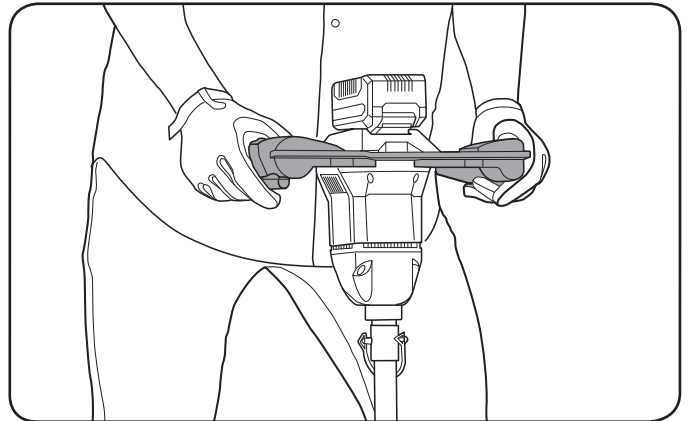
**WARNING!:** HIGH POWER. HIGH POWER DOES NOT HAVE KICKBACK PROTECTION. THEREFORE, ENSURE TO HAVE A FIRM GRIP AND FIRM STANCE. HITTING FOREIGN OBJECTS MAY CAUSE THE TOOL TO JAM AND TWIST.

**WARNING!:** CONTACT THE LOCAL COUNCIL FOR INFORMATION ON UNDERGROUND CABLES, POWERLINES, PLUMBING, ETC. SOME REGIONS MAY HAVE REGULATIONS THAT RESTRICT THE USE OF THE PRODUCT.

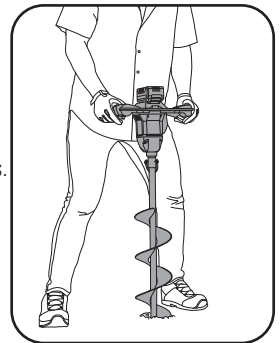
## Digging

**WARNING! ALWAYS MAINTAIN A FIRM GRIP AND SOLID STANCE, HOLD BOTH SURE GRIP HANDLES IN THE CORRECT OPERATING POSITION. LOSS OF CONTROL CAN CAUSE PERSONAL INJURY.**

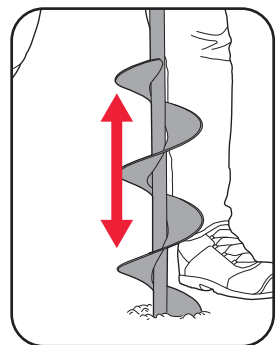
**WARNING! ALWAYS WEAR SUBSTANTIAL CLOSED, NON-SLIP FOOTWEAR, SAFETY EYE WEAR, NON-SLIP, HEAVY-DUTY PROTECTIVE GLOVES AND LONG TROUSERS.**



- Prepare the area you are going to drill by first removing any grass, sticks or loose debris that may become tangled in the soil auger.
- Select the performance setting for drilling conditions and your individual requirements.
- Always dig holes at 90 degree angle.
- Maintain a firm grip and solid stance, hold sure grip handles in the correct operating position. Keep the soil auger below waist level.



- Keep the soil auger away from your body, feet and clothing.
- To begin digging, press and hold the safety switch with your thumb then squeeze the on/off trigger.
- Let the soil auger reach speed before inserting into the work surface allowing the tool do the work, don't force downward pressure.
- During operation the hole will begin to fill with dirt, lifting the planting & digging tool every 20cm depth to clear the dirt will reduce the chance of the soil auger catching.



**WARNING!:** HOLD THE TOOL FIRMLY. THE TOOL MAY BACK OUT ABRUPTLY AFTER STRIKING A FOREIGN OBJECT.

# MAINTENANCE



**WARNING! ALWAYS ENSURE THE TOOL HAS COMPLETELY STOPPED AND THE BATTERY IS REMOVED BEFORE PERFORMING ANY OF THE FOLLOWING TASKS.**

## Cleaning and Storage

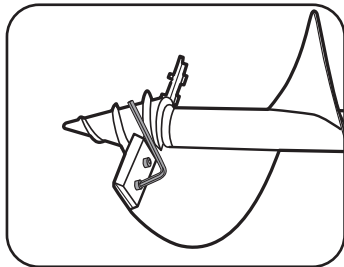
- Keep air intake clean and air vents free of debris to avoid overheating the motor.
- Remove the soil auger from the spindle before cleaning with water. Do not wet the motor housing, gear box or spindle.
- Do not use cleaning agents to clean the plastic parts of the motor housing. A mild detergent on a damp cloth is recommended.
- Store the tool indoors, in a dry place that is inaccessible to children.
- Store the locking pin in the spindle when not in use.

## Removing & Fitting Blade on the Auger



**WARNING! ALWAYS USE GLOVES WHEN HANDLING THE SOIL AUGER. SHARP EDGES COULD CAUSE INJURY.**

1. Remove the soil auger from the spindle by unlocking and removing the locking pin.
2. Clean any dirt or debris from the blades and bolts.
3. With a 6mm hex key (not included) remove both bolts turning anti-clockwise.



**NOTE:** Take note of the blade orientation for correct fitment of the new blade.

4. Place the new blade in position in the correct orientation with the blade bevel facing down, then secure with the bolts removed in step 2 turning clockwise to tighten.

Note: Ozito Industries will not be responsible for any damage or injuries caused by the repair of the machine by an unauthorised person or by mishandling of the machine. This machine is designed for DIY use - use in commercial or industrial environments will void the warranty.

## Battery protection system

The tool is equipped with the battery protection system, which helps to ensure a long service life.

The output power automatically cuts off during operation when the tool and/or battery are placed under the following situations:

- **When the tool is overloaded:**  
If this occurs, turn off and remove causes of overload, then turn on again to restart.
- **When the remaining battery capacity becomes low:**  
Recharge the battery pack.

**Note:** The battery protection system does not in any way damage the tool.

**Note:** The indicated capacity may be lower than the actual level during use or immediately after using the tool.

# DESCRIPTION OF SYMBOLS

<b>V</b>	Volts	<b>Hz</b>	Hertz
<b>~</b>	Alternating Current	<b>W</b>	Watts
<b>dc/---</b>	Direct Current	<b>∅</b>	Diameter
<b>/min</b>	Revolutions or reciprocations per minute	<b>n<sub>0</sub></b>	No load speed
	Wear eye protection		Wear hearing protection
	Wear substantial closed non-slip footwear		Wear non-slip heavy duty gloves
	Regulatory Compliance Mark (RCM)		Warning
	Sound power level		Keep feet and legs away from auger
	Read Instruction Manual		Do not expose to rain or damp conditions
	Beware of thrown or flying objects. Keep all bystanders, especially children and pets, at least 15m away from the operating area		

# CARING FOR THE ENVIRONMENT



Power tools that are no longer usable should not be disposed of with household waste but in an environmentally friendly way. Please recycle where facilities exist. Check with your local council authority for recycling advice.



Recycling packaging reduces the need for landfill and raw materials. Reuse of recycled material decreases pollution in the environment. Please recycle packaging where facilities exist. Check with your local council authority for recycling advice.

# SPARE PARTS

**Spare parts can be ordered from the Special Orders Desk at your local Bunnings Warehouse.**

**For further information, visit [www.ozito.com.au](http://www.ozito.com.au) or contact Ozito Customer Service:**

**Australia 1800 069 486**

**New Zealand 0508 069 486**

**E-mail: [enquiries@ozito.com.au](mailto:enquiries@ozito.com.au)**



# ELECTRICAL SAFETY



**WARNING!** When using mains-powered tools, basic safety precautions, including the following, should always be followed to reduce risk of fire, electric shock, personal injury and material damage.

Read the whole manual carefully and make sure you know how to switch the tool off in an emergency, before operating the tool. Save these instructions and other documents supplied with this tool for future reference.

Before you connect the charger to the mains supply make sure that the data on the rating plate are identical to the mains data. If the supply cord is damaged, it must be replaced by an electrician or a power tool repairer in order to avoid a hazard.

The power supply for this products charger should be protected by a residual current device (rated at 30mA or less). A residual current device reduces the risk of electric shock.



# GENERAL POWER TOOL SAFETY WARNINGS



**WARNING!** Read all safety warnings and all instructions. Failure to follow the warnings and instructions may result in electric shock, fire and/or serious injury.

Save all warnings and instructions for future reference. The term "power tool" in the warnings refers to your mains-operated (corded) power tool or battery-operated (cordless) power tool.

## 1. Work area safety

- Keep work area clean and well lit. Cluttered or dark areas invite accidents.
- Do not operate power tools in explosive atmospheres, such as in the presence of flammable liquids, gases or dust. Power tools create sparks which may ignite the dust or fumes.
- Keep children and bystanders away while operating a power tool. Distractions can cause you to lose control.

## 2. Electrical safety

- Power tool plugs must match the outlet. Never modify the plug in any way. Do not use any adapter plugs with earthed (grounded) power tools. Unmodified plugs and matching outlets will reduce risk of electric shock.
- Avoid body contact with earthed or grounded surfaces, such as pipes, radiators, ranges and refrigerators. There is an increased risk of electric shock if your body is earthed or grounded.
- Do not expose power tools to rain or wet conditions. Water entering a power tool will increase the risk of electric shock.
- Do not abuse the cord. Never use the cord for carrying, pulling or unplugging the power tool. Keep cord away from heat, oil, sharp edges or moving parts. Damaged or entangled cords increase the risk of electric shock.
- When operating a power tool outdoors, use an extension cord suitable for outdoor use. Use of a cord suitable for outdoor use reduces the risk of electric shock.
- If operating a power tool in a damp location is unavoidable, use a residual current device (RCD) protected supply. Use of an RCD reduces the risk of electric shock.

## 3. Personal safety

- Stay alert, watch what you are doing and use common sense when operating a power tool. Do not use a power tool while you are tired or under the influence of drugs, alcohol or medication. A moment of inattention while operating power tools may result in serious personal injury.
- Use personal protective equipment. Always wear eye protection. Protective equipment such as dust mask, non-skid safety shoes, hard hat, or hearing protection used for appropriate conditions will reduce personal injuries.
- Prevent unintentional starting. Ensure the switch is in the off-position before connecting to power source and/or battery pack, picking up or carrying the tool. Carrying power tools with your finger on the switch or energising power tools that have the switch on invites accidents.
- Remove any adjusting key or wrench before turning the power tool on. A wrench or a key left attached to a rotating part of the power tool may result in personal injury.
- Do not overreach. Keep proper footing and balance at all times. This enables better control of the power tool in unexpected situations.
- Dress properly. Do not wear loose clothing or jewellery. Keep your hair, clothing and gloves away from moving parts. Loose clothes, jewellery or long hair can be caught in moving parts.
- If devices are provided for the connection of dust extraction and collection facilities, ensure these are connected and properly used. Use of dust collection can reduce dust-related hazards.

## 4. Power tool use and care

- Do not force the power tool. Use the correct power tool for your application. The correct power tool will do the job better and safer at the rate for which it was designed.
- Do not use the power tool if the switch does not turn it on and off. Any power tool that cannot be controlled with the switch is dangerous and must be repaired.
- Disconnect the plug from the power source and/or the battery pack from the power tool before making any adjustments, changing accessories, or storing power tools. Such preventive safety measures reduce the risk of starting the power tool accidentally.
- Store idle power tools out of the reach of children and do not allow persons unfamiliar with the power tool or these instructions to operate the power tool. Power tools are dangerous in the hands of untrained users.
- Maintain power tools. Check for misalignment or binding of moving parts, breakage of parts and any other condition that may affect the power tool's operation. If damaged, have the power tool repaired before use. Many accidents are caused by poorly maintained power tools.
- Keep cutting tools sharp and clean. Properly maintained cutting tools with sharp cutting edges are less likely to bind and are easier to control.
- Use the power tool, accessories and tool bits etc. in accordance with these instructions, taking into account the working conditions and the work to be performed. Use of the power tool for operations different from those intended could result in a hazardous situation.

## 5. Battery tool use and care

- Recharge only with the charger specified by the manufacturer. A charger that is suitable for one type of battery pack may create a risk of fire when used with another battery pack.
- Use power tools only with specifically designated battery packs. Use of any other battery packs may create a risk of injury and fire.
- When battery pack is not in use, keep it away from other metal objects, like paper clips, coins, keys, nails, screws or other small metal objects, that can make a connection from one terminal to another. Shorting the battery terminals together may cause burns or a fire.
- Under abusive conditions, liquid may be ejected from the battery; avoid contact. If contact accidentally occurs, flush with water. If liquid contacts eyes, additionally seek medical help. Liquid ejected from the battery may cause irritation or burns.
- Do not use a battery pack or tool that is damaged or modified. Damaged or modified batteries may exhibit unpredictable behaviour resulting in fire, explosion or risk of injury.
- Do not expose a battery pack or tool to fire or excessive temperature. Exposure to fire or temperature above 130 °C may cause explosion.
- Follow all charging instructions and do not charge the battery pack or tool outside the temperature range specified in the instructions. Charging improperly or at temperatures outside the specified range may damage the battery and increase the risk of fire.

## 6. Service

- Have your power tool serviced by a qualified repair person using only identical replacement parts. This will ensure that the safety of the power tool is maintained.
- Never service damaged battery packs. Service of battery packs should only be performed by the manufacturer or authorized service provider.



# PLANTING & DIGGING TOOL SAFETY WARNINGS



**WARNING!** This appliance is not intended for use by young or infirm persons unless supervised by a responsible person to ensure that they can use the appliance safely. Young children should be supervised to ensure that they do not play with the appliance.



**WARNING!** If the product is dropped, suffers heavy impact, or begins to vibrate abnormally, immediately stop the product and inspect for damage or identify the cause of the vibration. Any damage should be properly repaired or replaced by an authorised service centre.



**WARNING!** Maintain a firm grip on the handles with both hands while using the auger. Keep the auger bit away from your body and below waist level.



**WARNING!** Always wear substantial closed nonslip footwear, safety eye wear, nonslip heavy-duty protective gloves and long trousers

- Replace soil auger if it is cracked, bent, or damaged in any way. Be sure the soil auger is properly installed and securely fastened. Failure to do so can cause serious injury.
- Make sure the handles are properly and securely attached.
- Consider the environment in which you are working. Keep the working area free from electric cables or underground utilities.
- Use only the manufacturer's replacement soil augers. Do not use any other attachment.
- Replace the soil auger immediately if there are any cracks or any damage.
- Do not touch the soil auger when the product is switched on.
- If the soil auger bit jams, stop the product immediately.
- Maintain a firm grip on both handles during operation.
- Do not use the product with the handle above waist level to avoid serious chest injuries when the product hits a hard object.
- Always keep the handles dry and clean.
- Ensure all handles are properly fitted and are in good condition.
- Do not start using the product until you have a clear work area and secure footing.
- Brace the tool properly before use. This tool produces a high torque and without properly bracing the tool during operation, loss of control may occur resulting in personal injury.

- Wear ear protectors. Exposure to noise can cause hearing loss.
- Hold the power tool by insulated gripping surfaces, when performing an operation where the cutting accessory may contact hidden wiring or its own cord. Cutting accessory contacting a "live" wire may make exposed metal parts of the power tool "live" and could give the operator an electric shock.
- Wear safety goggles or other eye protection. Drilling operations cause chips to fly. Flying particles can cause permanent eye damage.
- Apply pressure only in direct line with the bit and do not apply excessive pressure. Bits can bend causing breakage or loss of control, resulting in personal injury.
- Take frequent work breaks. Limit the exposure time per day.
- Inspect the area to ensure that there is no underground electric cable, gas and water pipes before operation.
- Contact the local council for information on underground cables, powerlines, plumbing, etc. Some regions may have regulations that restrict the use of the product.
- Never operate at higher speed than the maximum speed rating of the drill bit. At higher speeds, the bit is likely to bend if allowed to rotate freely without contacting the workpiece, resulting in personal injury.
- Do not modify the product in any way or use it to power any attachments or devices not recommended by the manufacturer.
- Before starting the product, make sure the bit is not contacting any object.
- Do not use the product when there is a possibility of thunderstorm or lightning. Store the product safely indoors.
- Turn off the product and remove the battery pack. Make sure all moving parts have come to a complete stop:
  - before servicing.
  - before leaving the product unattended.
  - before clearing a blockage.
  - before checking, cleaning, and working on the product.
  - before changing accessories.
  - after striking a foreign object.
  - whenever performing maintenance.
  - whenever the product starts to vibrate.