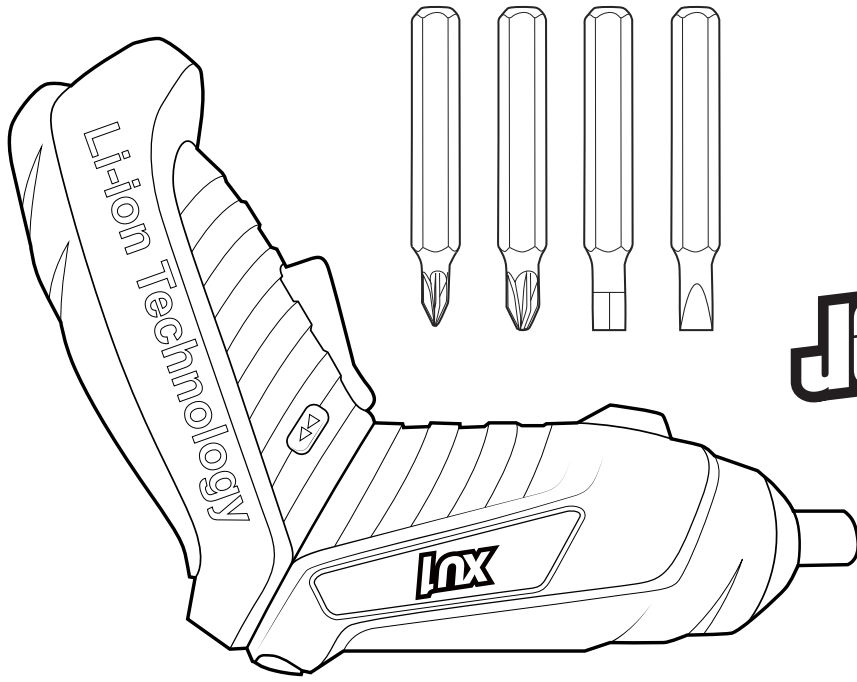


REPLACEMENT WARRANTY
12 MONTHS HOME USE

Operating Instructions
XSD-360



3.6V
Cordless
Screwdriver
INX


XU1 Power tools

1-23 Letcon Drive, Bangholme, Victoria, Australia 3175

Telephone: 1800 069 486

ADDITIONAL SAFETY

WARNINGS FOR SCREWDRIVERS

 **WARNING! Hold power tool by insulated gripping surfaces when performing an operation where the cutting accessory may contact hidden wiring or its own cord.** Cutting a 'live' wire may make exposed metal parts of the power tool 'live' and could give the operator an electric shock.

WARNING! Use auxiliary handle(s), if supplied with the tool. Loss of control can cause personal injury.

Recommendations for the use of a residual current device with a rated residual current of 30mA or less.

Safety Warnings Common for Screwdriving Operations:

a) **Before drilling into walls, ceilings, etc.,** ensure that there are no concealed power cables or pipes in the cavity.

WARNING! Some dust created by power sanding, sawing, grinding, drilling and other construction activities contain chemicals known to cause cancer, birth defects or other reproductive harm.

Some examples of these chemicals are:

- Lead from lead-based paints;
- Crystalline silica from bricks, cement and other masonry products, and;
- Arsenic and chromium from chemically-treated timber.

The risk from such exposures vary depending on how often you do this type of work. To reduce your exposure to these chemicals; work in a well ventilated area, and work with approved safety equipment, such as those dust masks that are specifically designed to filter out microscopic particles.

This appliance is not intended for use by persons (including children) with reduced physical, sensory or mental capabilities, or lack of experience and knowledge,

unless they have been given supervision or instruction concerning use of the appliance by a person responsible for their safety.

Young children should be supervised to ensure that they do not play with the appliance.

DESCRIPTION OF SYMBOLS



Read instruction manual



Wear eye, breathing and hearing protection



R.C.M. Regulatory compliance mark



Do not put in the rubbish



Double insulated



Indoor use only



Do not incinerate



Do not use or store battery in temperatures exceeding 40°C



Do not get battery wet



Transformer energy rating (MEPS)



Polarity



Volts



Alternating current



Hertz



Watts



Warning

CARING FOR THE ENVIRONMENT



Power tools that are no longer usable should not be disposed of with household waste but in an environmentally friendly way.

Please recycle where facilities exist.

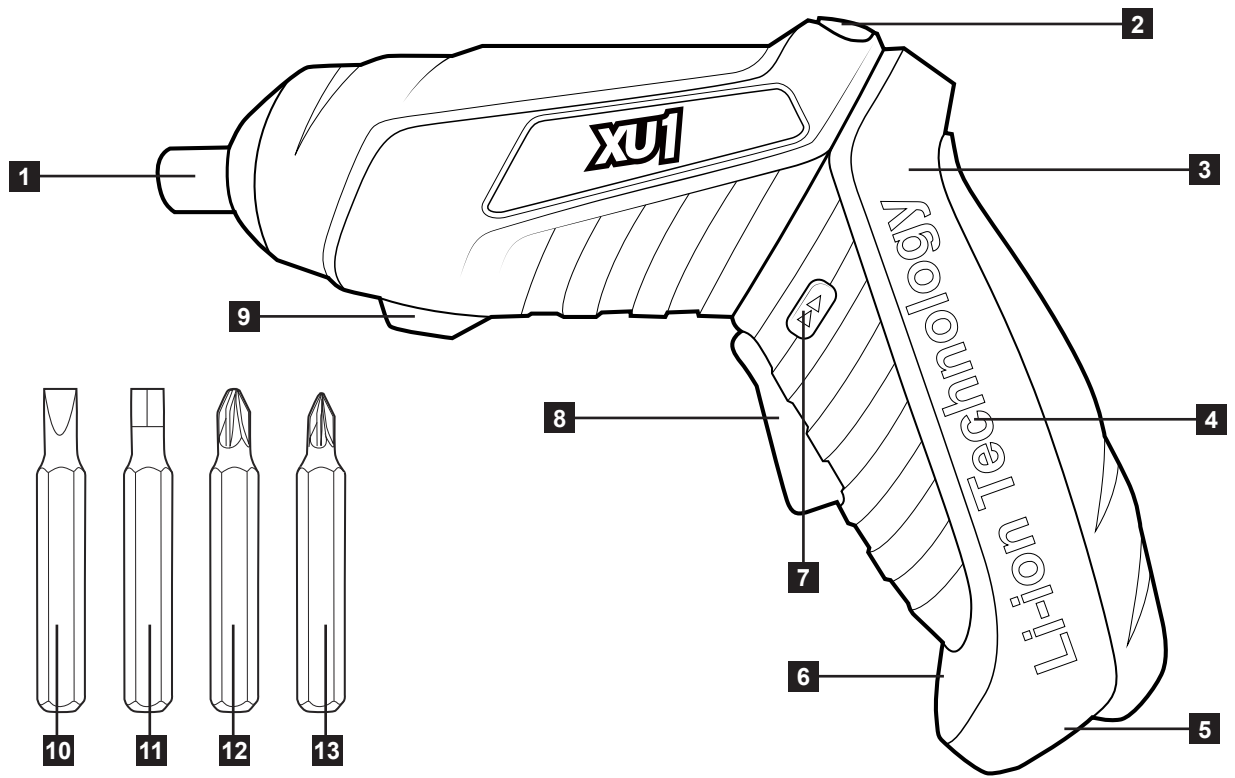
Check with your local council authority for recycling advice.

Recycling packaging reduces the need for landfill and raw materials.



Reuse of recycled material decreases pollution in the environment. Please recycle packaging where facilities exist.

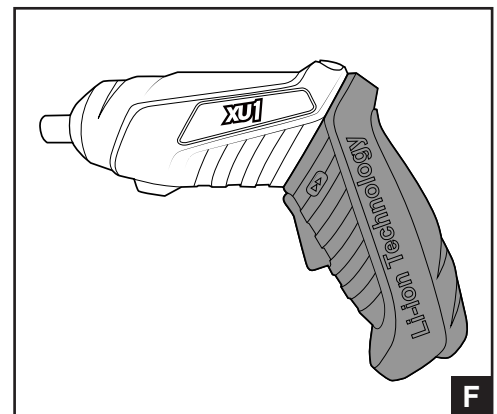
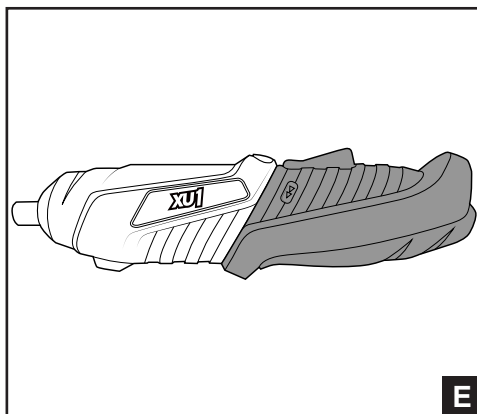
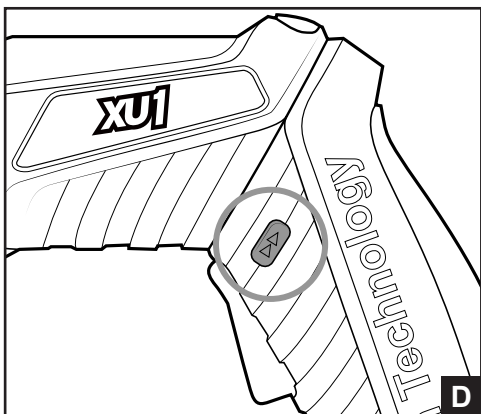
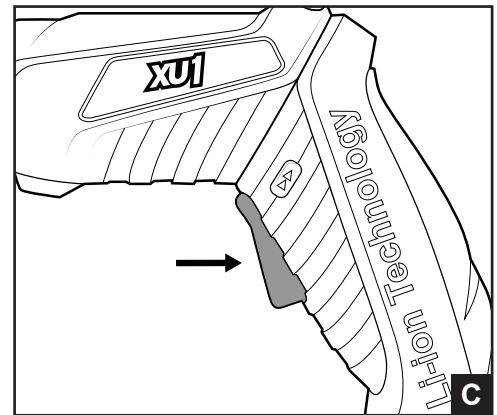
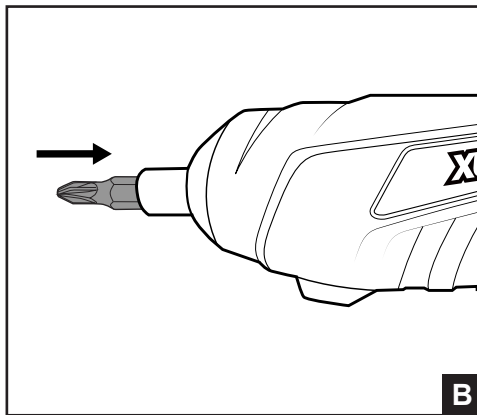
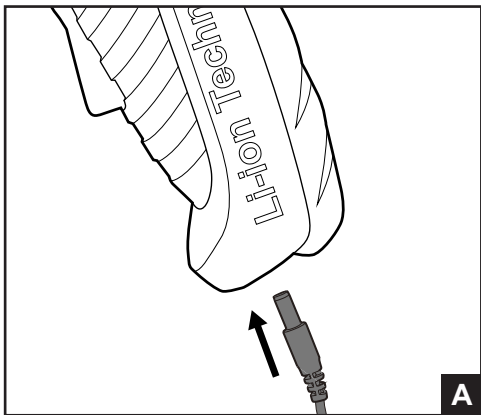
Check with your local council authority for recycling advice.



- 1 Magnetic Hex Chuck
- 2 Handle Lock Button
- 3 Rotating Rear Handle
- 4 Soft Grip Handle
- 5 Charging Socket

- 6 Charging Indicator
- 7 Forward/Reverse Selector
- 8 On/Off Trigger
- 9 LED Worklight
- 10 Flat Head Driver Bit (#5)

- 11 Square Head Driver Bit (#2)
- 12 Phillips Head Driver Bit (PH2)
- 13 Phillips Head Driver Bit (PH1)



SPECIFICATIONS

Voltage:	3.6V
Battery Capacity:	1.5Ah Li-Ion
Chuck Size:	6.35mm
No Load Speed:	180/min
Max. Torque:	2.5Nm
Charge Time:	3-5hours
Tool Weight:	0.7kg

PROPER USE

This tool is intended for use in a DIY (Do It Yourself) context or for hobbyist purposes. It is not built for continuous daily use in a trade or professional capacity.

Before using the machine, carefully read these instructions, especially the safety rules to help ensure that your machine always operates properly.

Before attempting to operate the machine, familiarise yourself with the controls and make sure you know how to stop the machine quickly in an emergency.

Save these instructions and the other documents supplied with this machine for future reference.

SETUP



WARNING! Ensure the tool is turned off, disconnected from the power supply before performing any of the following operations.



WARNING! The power supply for this charger should be protected by a residual current device (rated 30mA or less).

Charging Your Battery

1. Plug the charging cable into the Charging Socket at the bottom of the tool handle. **FIG. A**
2. Plug the charging adaptor into the power supply.
3. The Charging Indicator on the front of the tool handle will illuminate, indicating the battery is charging.
4. The battery will take 3-5 hours to charge.

Fitting Driver Bits

1. Slide the required driver bit into the Magnetic Hex Chuck. **FIG. B**
2. To remove the driver bit, simply pull the bit out of the Magnetic Hex Chuck.



CAUTION: Do not handle driver bits or other accessories without gloves as they are sharp and can become hot after use.

Supplied Bits

50mm Driver Bits x 4

- 1 x Flat Head Bit (#5)
- 2 x Phillips Head Bits (PH1, PH2)
- 1 x Square Head Bit (#2)

CONTROLS

On/Off Trigger

1. Squeeze the On/Off Trigger to start the screwdriver. **FIG. C**
2. To stop the screwdriver, release the On/Off Trigger. **Note:** This screwdriver does not have variable speed.

Forward Reverse Selector

1. For forward rotation, push the Forward/Reverse Selector towards the left side of the tool. **FIG. D**
2. For reverse rotation, push the Forward/Reverse Selector towards the right side of the tool.

LED Worklight

1. The LED Worklight will illuminate when the On/Off Trigger is pressed. **Note:** The LED light can be used without the screwdriver operating by pressing the Forward/Reverse Selector into the middle position.

Rotating Handle

The ear handle of the screwdriver can be rotated so that the tool can be operated in 2 different configurations to assist with your job requirements. The in-line orientation allows you to drive and remove screws in hard to reach areas.

1. To operate the screwdriver in the in-line orientation, press the Handle Lock Button and then rotate the Rear Handle. **FIG. E**
2. To operate the screwdriver in the angled position, press the Handle Lock Button and then rotate the Rear Handle. **FIG. F**

OPERATION

Driving and Removing Screws

1. Depress and release the On/Off Trigger to ensure it is not locked.
2. Check the Forward/Reverse Selector is in the desired setting.
3. Ensure the workpiece is secured to stop it turning whilst driving.
4. Hold the tool firmly and then press the On/Off Trigger.
5. Once complete, release the On/Off Trigger.

Note: Do not force the tool or apply side pressure to elongate the hole. Let the tool do all the work.

MAINTENANCE



WARNING! Ensure the tool is turned off and disconnected from the power supply before performing any of the following operations.

Cleaning



CAUTION! Excessive build up of dust particles may cause the tool to overheat and fail.

1. Keep the ventilation slots of the tool clean at all times. If possible prevent foreign matter from entering the vents.
3. After each use, blow air through the tool housing to ensure it is free from all dust particles that may build up.
4. If the enclosure of the tool requires cleaning, use a soft, moist cloth only. Do not use solvents.



CAUTION! Never immerse any part of the tool in liquid.

Power Supply Cords

If the charger's supply cord is damaged, it must be replaced by the manufacturer or an authorised service agent in order to avoid a hazard.

Note: XU1 will not be responsible for any damage or injuries caused by the repair of the tool by an unauthorised person or by mishandling of the tool.

WARRANTY

YOUR WARRANTY FORM SHOULD BE RETAINED BY YOU AT ALL TIMES. IN ORDER TO MAKE A CLAIM UNDER THIS WARRANTY YOU MUST RETURN THE PRODUCT TO YOUR NEAREST BUNNINGS WAREHOUSE WITH YOUR BUNNINGS REGISTER RECEIPT. PRIOR TO RETURNING YOUR PRODUCT FOR WARRANTY. PLEASE TELEPHONE OUR CUSTOMER SERVICE HELPLINE:

Australia 1800 069 486

New Zealand 0508 069 486

TO ENSURE A SPEEDY RESPONSE PLEASE HAVE THE MODEL NUMBER AND DATE OF PURCHASE AVAILABLE. A CUSTOMER SERVICE REPRESENTATIVE WILL TAKE YOUR CALL AND ANSWER ANY QUESTIONS YOU MAY HAVE RELATING TO THE WARRANTY POLICY OR PROCEDURE.

The benefits provided under this warranty are in addition to other rights and remedies which are available to you at law.

Our goods come with guarantees that cannot be excluded at law. You are entitled to a replacement or refund for a major failure and for compensation for any other reasonably foreseeable loss or damage. You are also entitled to have the goods repaired or replaced if the goods fail to be of acceptable quality and the failure does not amount to a major failure.

Generally you will be responsible for all costs associated with a claim under this warranty, however, where you have suffered any additional direct loss as a result of a defective product you may be able to claim such expenses by contacting our customer service helpline above.

1 YEAR REPLACEMENT WARRANTY

Your product is guaranteed for a period of 12 months from the original date of purchase and is intended for DIY (Do It Yourself) use only. If a product is defective it will be replaced in accordance with the terms of this warranty. Warranty excludes consumable parts, for example: driver bits.

WARNING

The following actions will result in the warranty being void.

- Professional, Industrial or high frequency use.
- If the tool has been operated on a supply voltage other than that specified on the tool.
- If the tool shows signs of damage or defects caused by or resulting from abuse, accidents or alterations.
- Failure to perform maintenance as set out within the instruction manual.
- If the tool is disassembled or tampered with in any way.

XU1

Australia/New Zealand (Head Office)

1-23 Letcon Drive, Bangholme, Victoria, Australia 3175

SAFETY INSTRUCTIONS



ALWAYS WEAR EYE, FACE AND EAR PROTECTION

CHARGER AND BATTERY PACK SAFETY INSTRUCTIONS

1. Before using the charger read all instructions and cautionary markings on the charger, battery pack and the product using the battery pack.
2. This charger is not intended for any uses other than charging rechargeable batteries. Any other use may result in risk of fire, electric shock or electrocution.
3. Only use the compatible XU1 charger to recharge this XU1 battery.
4. Do not place any object on top of the charger or place the charger on a soft surface that may result in excessive internal heat. Place the charger in a position away from any heat source.
5. To reduce risk of damage to the electric plug and cord, pull by the plug rather than the cord when disconnecting the charger.
6. Make sure the cord is located so that it will not be stepped on, tripped over, or otherwise subjected to damage or stress.
7. An extension cord should not be used unless absolutely necessary. Use of an improper extension cord could result in the risk of fire, electric shock or electrocution.
8. Do not operate the charger if it has received a sharp blow, been dropped or otherwise damaged in any way. Have it checked by an electrician or power tool repairer.
9. Do not disassemble charger. Take it to an electrician or power tool repairer when service or repair is required. Incorrect reassembly may result in a risk of electric shock, electrocution or fire.
10. To reduce risk of electric shock, unplug the charger from the outlet before attempting any cleaning. Removing the battery pack will not reduce this risk.
11. Never attempt to connect 2 chargers together.
12. DO NOT store or use the tool and battery pack in locations where the temperature may reach or exceed 40°C (such as inside sheds or metal buildings in summer).
13. The charger is designed to operate on standard household electrical power (240 volts). Do not attempt to use it on any other voltage!
14. The battery pack is not fully charged out of the carton. First read the safety instructions and then follow the charging notes and procedures.
15. The longest life and best performance can be obtained if the battery pack is charged when the air temperature is between 18 - 24°C. Do not charge the battery pack in an air temperature below 10°C or above 40°C. This is important and will prevent damage to the battery pack.
16. Do not incinerate the battery pack even if it is seriously damaged or is completely worn out. The battery can explode in a fire.
17. Never attempt to open the battery pack for any reason. If the plastic housing of the battery pack breaks or cracks, immediately discontinue use and do not recharge.
18. During charging, the battery must be placed in a well ventilated area.



This tool's charger is double insulated therefore no earth wire is required.

GENERAL POWER TOOL SAFETY WARNINGS



WARNING! Read all safety warnings and all instructions. Failure to follow the warnings and instructions may result in electric shock, fire and/or serious injury.
Save all warnings and instructions for future reference. The term "power tool" in all of the warnings refers to your mains-operated (corded) power tool or battery-operated (cordless) power tool.

1) Work area safety

a) Keep work area clean and well lit.

Cluttered and dark areas invite accidents.

b) Do not operate power tools in explosive atmospheres, such as in the presence of flammable liquids, gases or dust.

Power tools create sparks which may ignite the dust or fumes.

c) Keep children and bystanders away while operating a power tool. Distractions can cause you to lose control.

2) Electrical safety

a) Power tool plugs must match the outlet. Never modify the plug in any way. Do not use any adapter plugs with earthed (grounded) power tools. Unmodified plugs and matching outlets will reduce risk of electric shock.

b) Avoid body contact with earthed or grounded surfaces such as pipes, radiators, ranges and refrigerators. There is an increased risk of electric shock if your body is earthed or grounded.

c) Do not expose power tools to rain or wet conditions. Water entering a power tool will increase the risk of electric shock.

d) Do not abuse the cord. Never use the cord for carrying, pulling or unplugging the power tool. Keep cord away from heat, oil, sharp edges or moving parts. Damaged or entangled cords increase the risk of electric shock.

e) When operating a power tool outdoors, use an extension cord suitable for outdoor use. Use of a cord suitable for outdoor use reduces the risk of electric shock.

3) Personal safety

a) Stay alert, watch what you are doing and use common sense when operating a power tool. Do not use a power tool while drugs, alcohol or medication. A moment of inattention while operating power tools may result in serious personal injury.

b) Use personal protective equipment. Always wear eye protection. Personal protective equipment such as dust mask, non-skid safety shoes, hard hat, or hearing protection used for appropriate conditions will reduce personal injuries.

c) Prevent unintentional starting. Ensure the switch is in the off-position before connecting to power source and/or battery pack, picking up or carrying the tool. Carrying power tools with your finger on the switch or energising power tools that have the switch on invites accidents.

d) Remove any adjusting key or wrench before turning the power tool on. A wrench or a key left attached to a rotating part of the power tool may result in personal injury.

e) Do not overreach. Keep proper footing and balance at all times. This enables better control of the power tool in unexpected situations.

f) Dress properly. Do not wear loose clothing or jewellery. Keep your hair, clothing and gloves away from moving parts. Loose clothes, jewellery or long hair can be caught in moving parts.

g) If devices are provided for the connection of dust extraction and collection facilities, ensure these are connected and properly used. Use of dust collection can reduce dust-related hazards.

h) Do not let familiarity gained from frequent use of tools allow you to become complacent and ignore tool safety principles. A careless action can cause severe injury within a fraction of a second.

4) Power tool use and care

a) Do not force the power tool. Use the correct power tool for your application. The correct power tool will do the job better and safer at the rate for which it was designed.

b) Do not use the power tool if the switch does not turn it on and off. Any power tool that cannot be controlled with the switch is dangerous and must be repaired.

c) Disconnect the plug from the power source and/or the battery pack from the power tool before making any adjustments, changing accessories, or storing power tools. Such preventive safety measures reduce the risk of starting the power tool accidentally.

d) Store idle power tools out of the reach of children and do not allow persons unfamiliar with the power tool or these instructions to operate the power tool. Power tools are dangerous in the hands of untrained users.

e) Maintain power tools. Check for misalignment or binding of moving parts, breakage of parts and any other condition that may affect the power tools operation. If damaged, have the power tool repaired before use. Many accidents are caused by poorly maintained power tools.

f) Keep cutting tools sharp and clean. Properly maintained cutting tools with sharp cutting edges are less likely to bind and are easier to control.

g) Use the power tool, accessories and tool bits etc. in accordance with these instructions and in the manner intended for the particular type of power tool, taking into account the working conditions and the work to be performed. Use of the power tool for operations different from those intended could result in a hazardous situation.


h) Keep handles and grasping surfaces dry, clean and free from oil and grease. Slippery handles and grasping surfaces do not allow for safe handling and control of the tool in unexpected situations.

5) Service

a) Have your power tool serviced by a qualified repair person using only identical replacement parts. This will ensure that the safety of the power tool is maintained.

ADDITIONAL SAFETY

WARNINGS FOR SCREWDRIVERS

 **WARNING! Hold power tool by insulated gripping surfaces when performing an operation where the cutting accessory may contact hidden wiring or its own cord.** Cutting a 'live' wire may make exposed metal parts of the power tool 'live' and could give the operator an electric shock.

WARNING! Use auxiliary handle(s), if supplied with the tool. Loss of control can cause personal injury.

Recommendations for the use of a residual current device with a rated residual current of 30mA or less.

Safety Warnings Common for Screwdriving Operations:

a) **Before drilling into walls, ceilings, etc.,** ensure that there are no concealed power cables or pipes in the cavity.

WARNING! Some dust created by power sanding, sawing, grinding, drilling and other construction activities contain chemicals known to cause cancer, birth defects or other reproductive harm.

Some examples of these chemicals are:

- Lead from lead-based paints;
- Crystalline silica from bricks, cement and other masonry products, and;
- Arsenic and chromium from chemically-treated timber.

The risk from such exposures vary depending on how often you do this type of work. To reduce your exposure to these chemicals; work in a well ventilated area, and work with approved safety equipment, such as those dust masks that are specifically designed to filter out microscopic particles.

This appliance is not intended for use by persons (including children) with reduced physical, sensory or mental capabilities, or lack of experience and knowledge,

unless they have been given supervision or instruction concerning use of the appliance by a person responsible for their safety.

Young children should be supervised to ensure that they do not play with the appliance.

DESCRIPTION OF SYMBOLS



Read instruction manual



Wear eye, breathing and hearing protection



R.C.M. Regulatory compliance mark



Do not put in the rubbish



Double insulated



Indoor use only



Do not incinerate



Do not use or store battery in temperatures exceeding 40°C



Do not get battery wet



Transformer energy rating (MEPS)



Polarity



Volts



Alternating current



Hertz



Watts



Warning

CARING FOR THE ENVIRONMENT



Power tools that are no longer usable should not be disposed of with household waste but in an environmentally friendly way.

Please recycle where facilities exist.

Check with your local council authority for recycling advice.

Recycling packaging reduces the need for landfill and raw materials.



Reuse of recycled material decreases pollution in the environment. Please recycle packaging where facilities exist.

Check with your local council authority for recycling advice.