

R18XSV9



IMPORTANT!

It is essential that you read the instructions in this manual before assembling, operating, and maintaining the product. Subject to technical modifications.

Safety, performance, and dependability have been given top priority in the design of your stick vac.

INTENDED USE

The stick vac is intended for dry vacuuming for household or similar non-industrial applications.

Do not use the product for any other purpose.

⚠ WARNING! Do not use the product to vacuum liquids of any kind.

STICK VAC SAFETY WARNINGS

- This appliance is not intended for use by persons (including children) with reduced physical, sensory or mental capabilities, or lack of experience and knowledge, unless they have been given supervision or instruction concerning use of the appliance by a person responsible for their safety. Children should be supervised to ensure that they do not play with the appliance.
- The product is intended for household use only.
- Never vacuum materials such as hot coals, cigarette butts, matches, etc.
- Do not use the product without dust bowl or filter in place.
- Use extra care when using the product on stairs.
- Do not use the product to pick up hard objects such as nails, screws, coins, etc. Damage or injury could result.
- Remove battery when the product is not in use or when changing accessories.
- Rechargeable batteries are to be removed from the product before being charged.
- Exhausted batteries are to be removed from the product and safely disposed of.
- If the product is to be stored unused for a long period, the batteries should be removed.
- The supply terminals are not to be short-circuited.

ADDITIONAL BATTERY SAFETY WARNINGS

- To reduce the risk of fire, personal injury, and product damage due to a short circuit, never immerse your tool, battery pack or charger in fluid or allow a fluid to flow inside them. Corrosive or conductive fluids, such as seawater, certain industrial chemicals, and bleach or bleach-containing products, etc., can cause a short circuit.

TRANSPORTING LITHIUM BATTERIES

Transport the battery in accordance with local and national provisions and regulations.

Follow all special requirements on packaging and labelling when transporting batteries by a third party. Ensure that no batteries can come in contact with other batteries or conductive materials while in transport by protecting exposed connectors with insulating, non-conductive caps or tape. Do not transport batteries that are cracked or leaking. Check with the forwarding company for further advice.

MAINTENANCE

- Use only original accessories and spare parts. Should components need to be replaced which have not been described, please contact an authorised service centre. All repairs should be performed by an authorised service centre.
- Avoid using solvents when cleaning plastic parts. Most plastics are susceptible to various types of commercial solvents and may be damaged by their use. Use clean cloths to remove dirt, carbon dust, etc.
- Do not at any time let brake fluids, gasoline, petroleum-based products, penetrating oils, etc., come in contact with plastic parts. Chemicals can damage, weaken or destroy plastic which may result in serious personal injury.

CLEANING THE FILTER

Wash the filter one every three months.

- Remove the filter from the filter assembly. Tap it over a rubbish bin to remove dirt.
- Rinse the filter with warm water until water comes out clear.
- Allow the filter to air dry at least 24 hours until fully dry.

SYMBOLS

 Volts

 Direct current



Regulatory Compliance Mark (RCM). Product meets applicable regulatory requirements.



Please read the instructions carefully before starting the machine.

Do not dispose of waste batteries, waste electrical and electronic equipment as unsorted municipal waste.

Waste batteries and waste electrical and electronic equipment must be collected separately.

Waste batteries, waste accumulators, and light sources have to be removed from the equipment.

Check with your local authority or retailer for recycling advice and collection point.

According to local regulations, retailers may have an obligation to take back waste batteries and waste electrical and electronic equipment free of charge.

Your contribution to the reuse and recycling of waste batteries and waste electrical and electronic equipment helps to reduce the demand of raw materials.

Waste batteries, in particular containing lithium, and waste electrical and electronic equipment contain valuable and recyclable materials, which can adversely impact the environment and the human health if not disposed of in an environmentally compatible manner.

Delete personal data from waste equipment, if any.



SYMBOLS IN THIS MANUAL



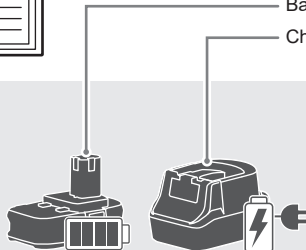
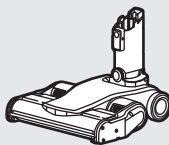
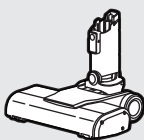
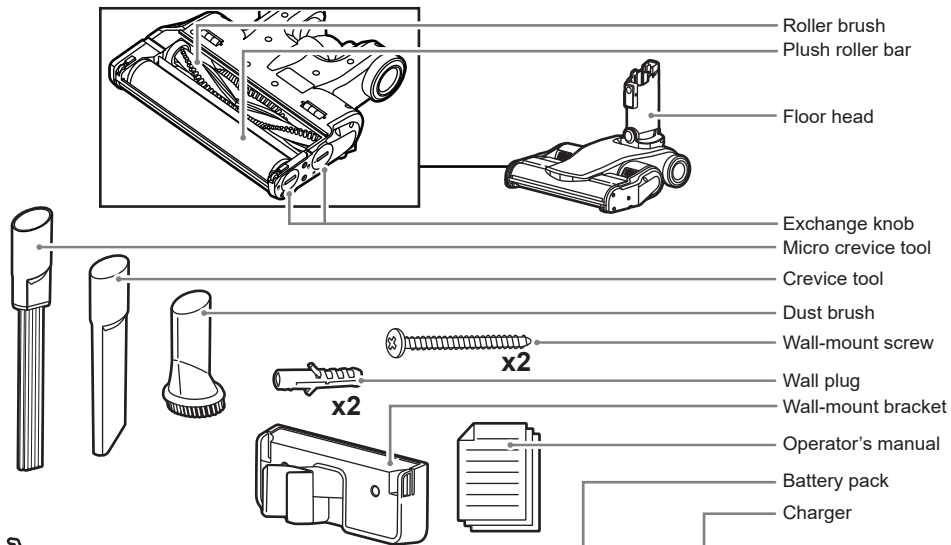
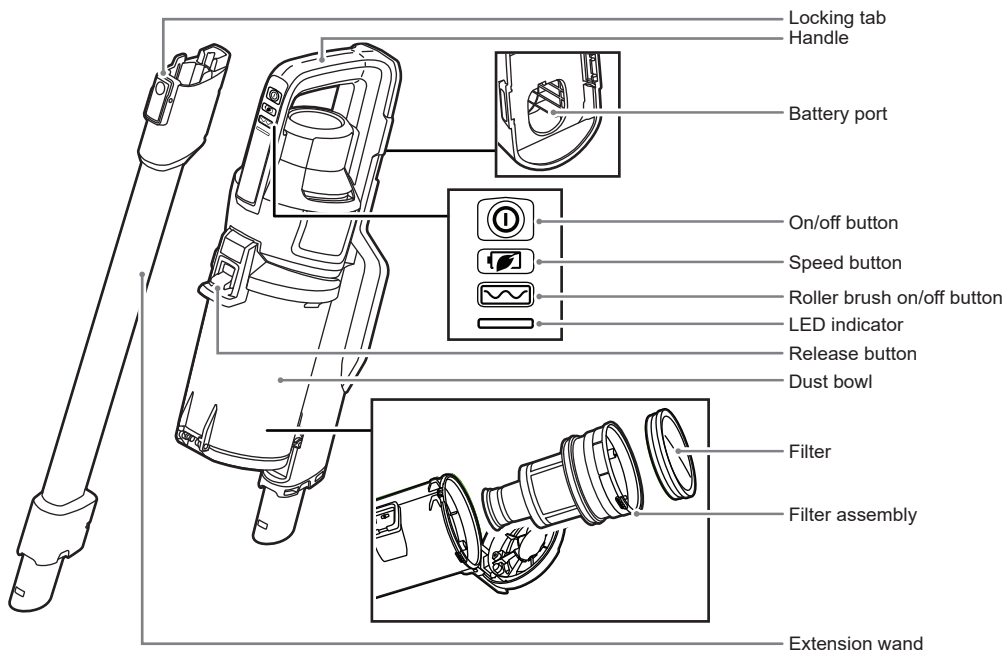
Safety alert



Note



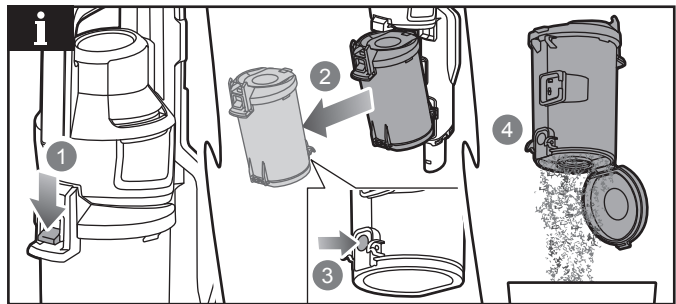
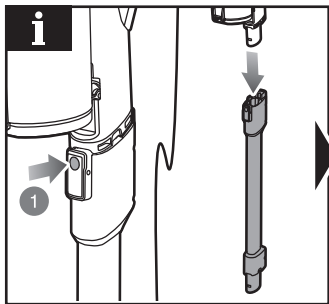
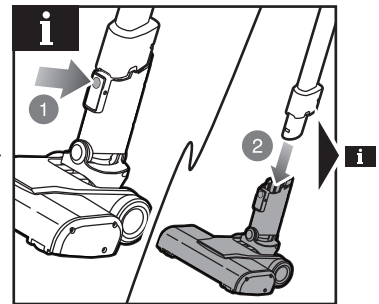
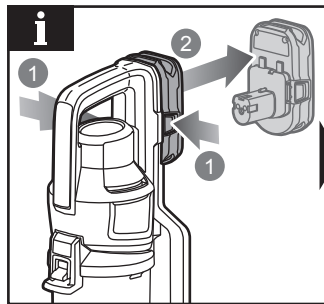
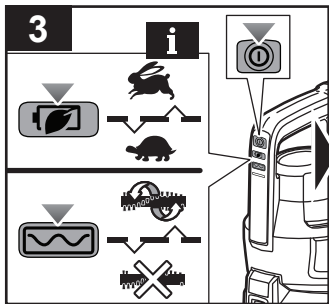
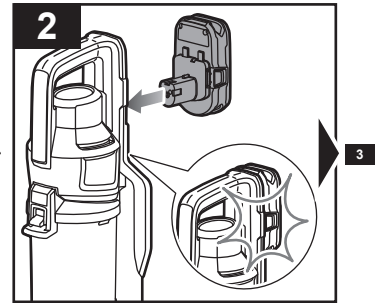
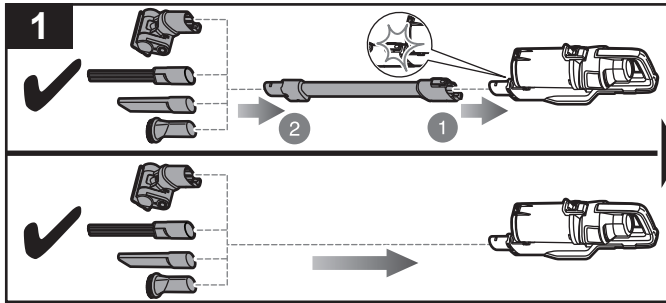
Parts or accessories sold separately

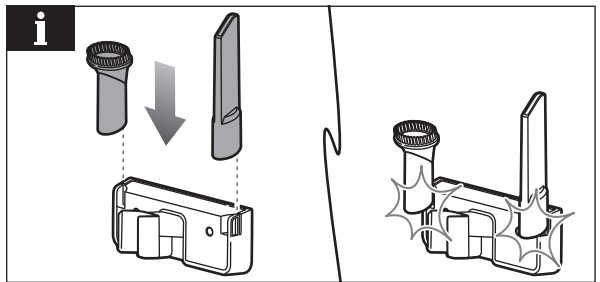
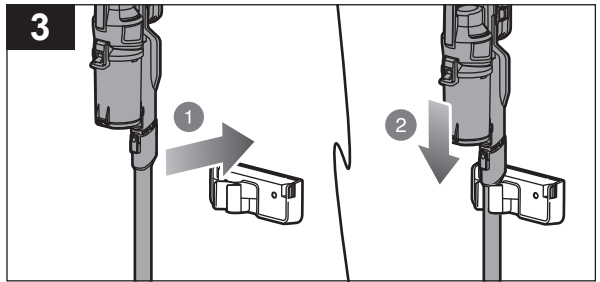
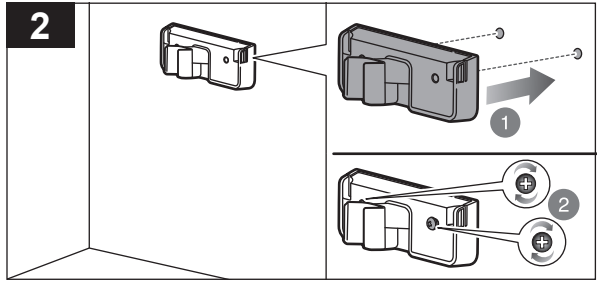
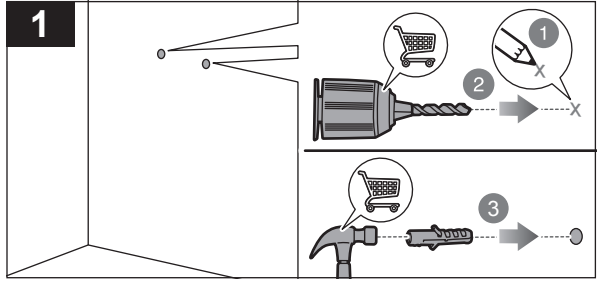
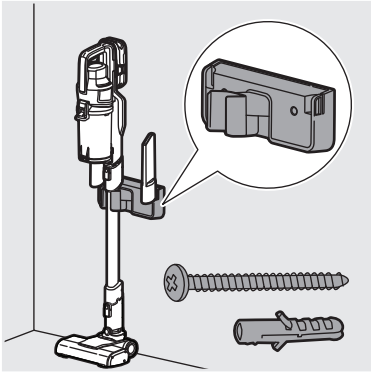


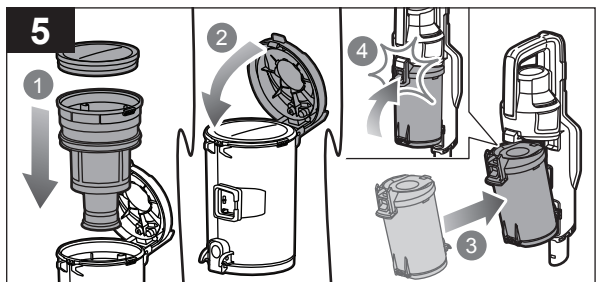
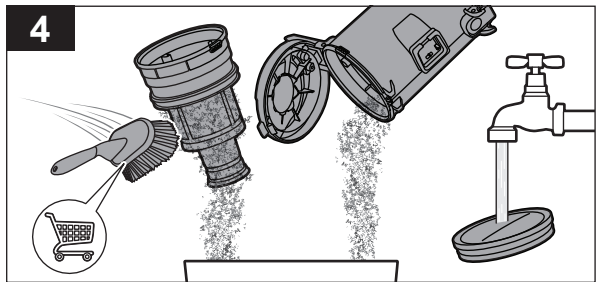
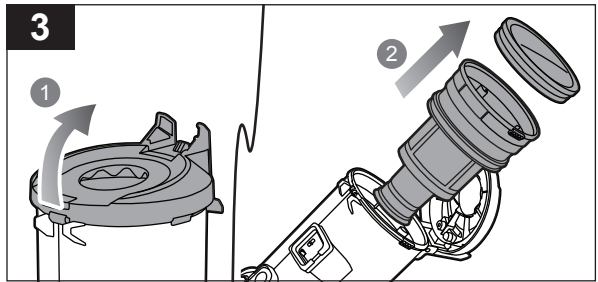
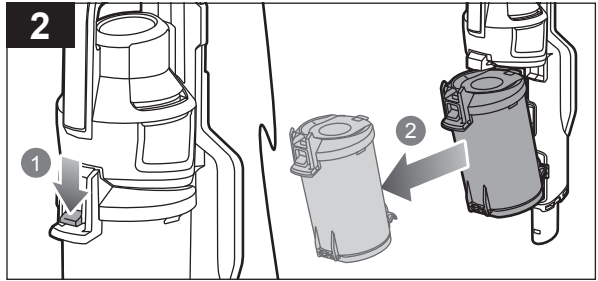
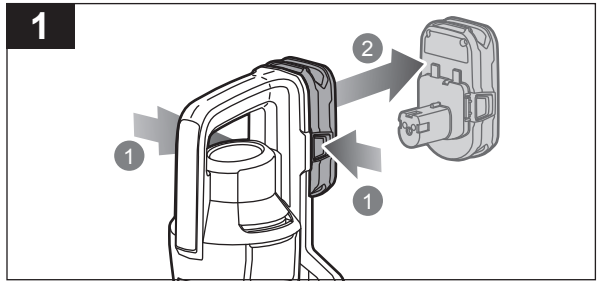
R18XSV9-MFH

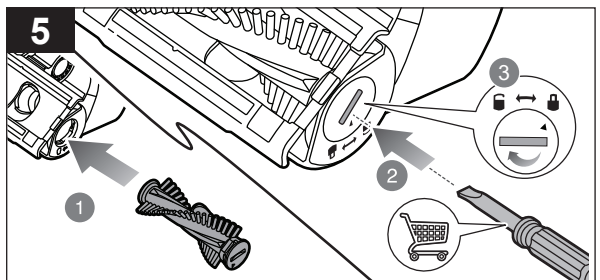
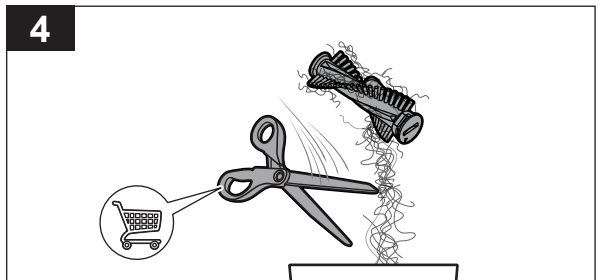
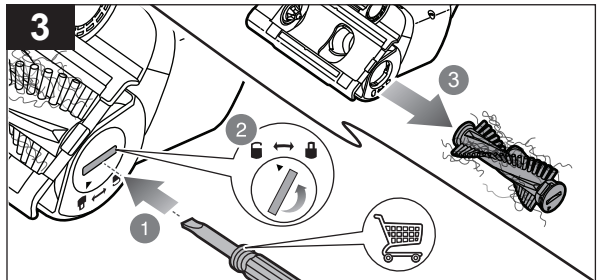
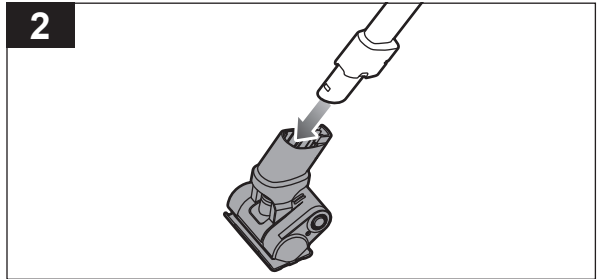
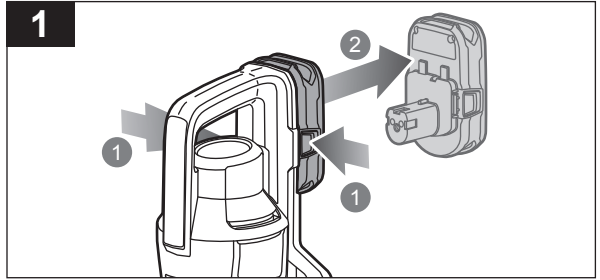
R18XSV9-FH2

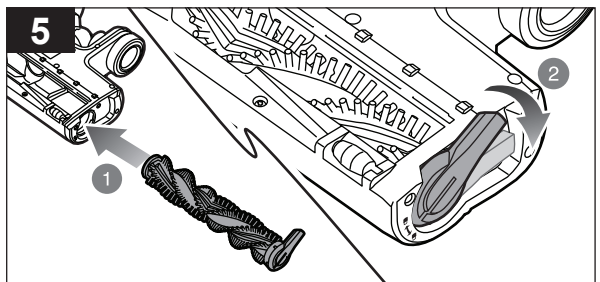
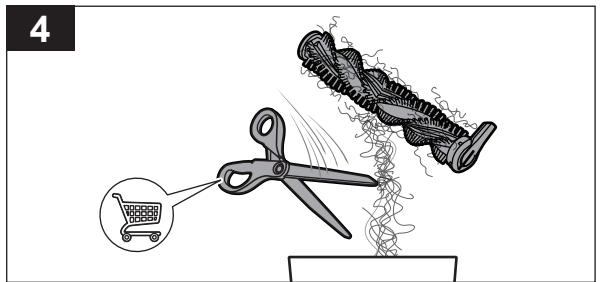
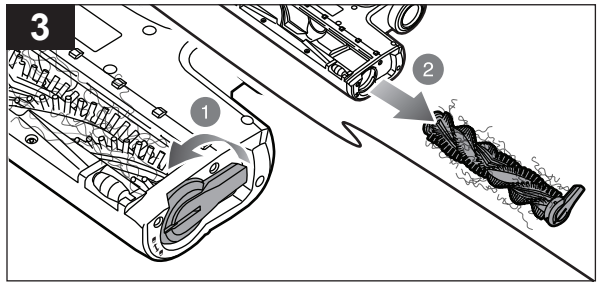
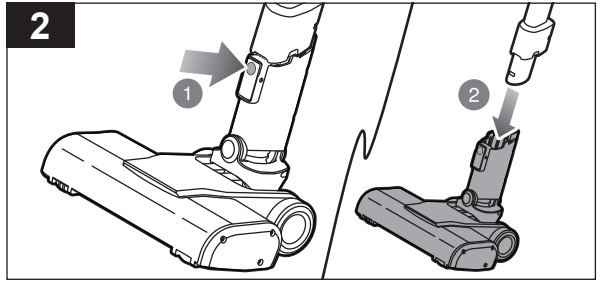
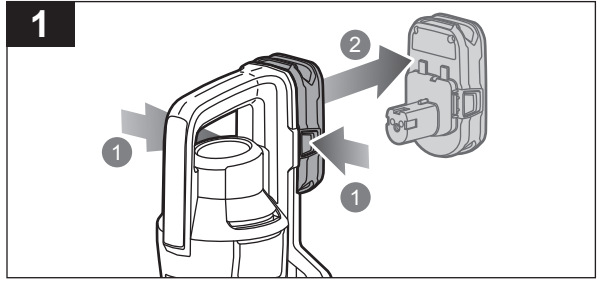
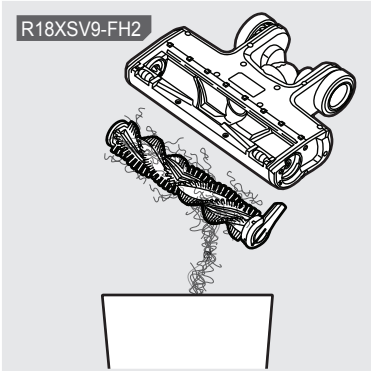
R18XSV9-FH3

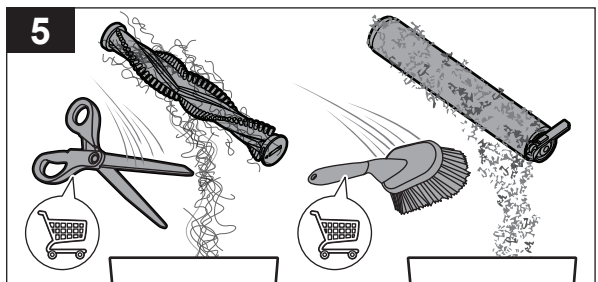
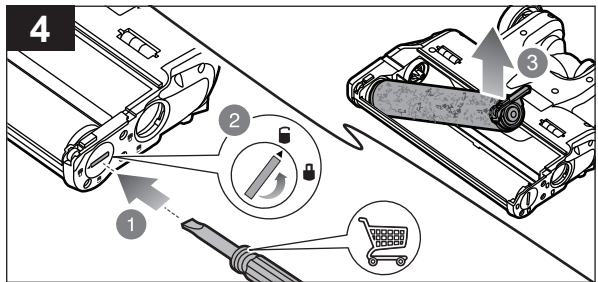
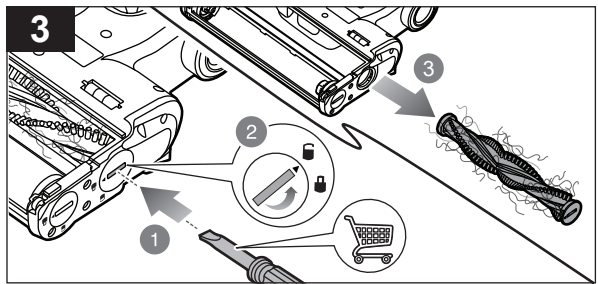
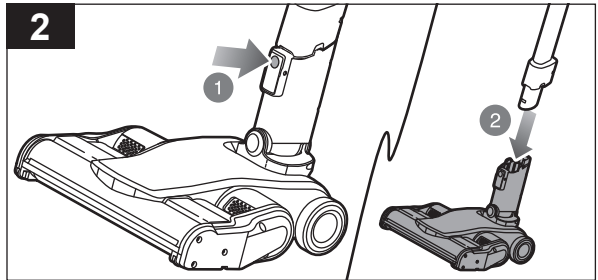
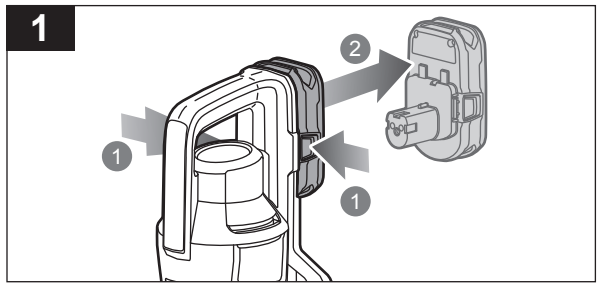
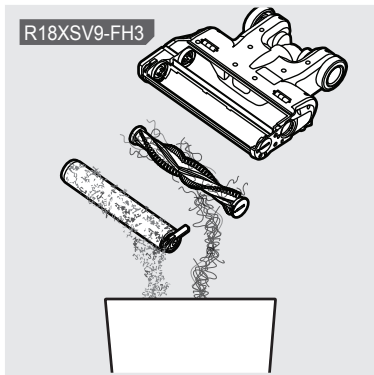


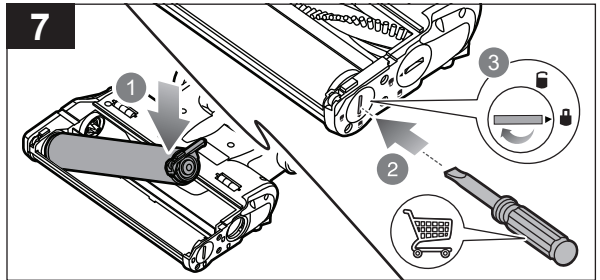
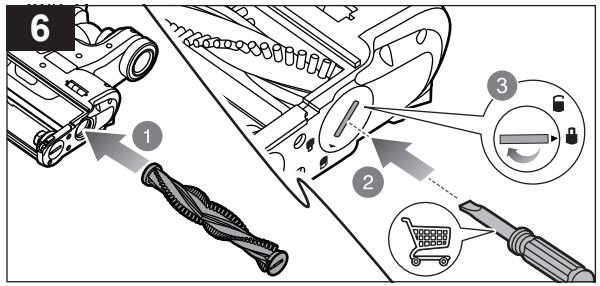













PRODUCT SPECIFICATIONS

Stick vac

Model	R18XSV9
Voltage	18 V 
Air watts	90 AW
Suction	20 kPa
Air flow volume	900 l/min
Dust storage capacity	800 ml
Weight - excluding battery pack	1.6 kg

BATTERY

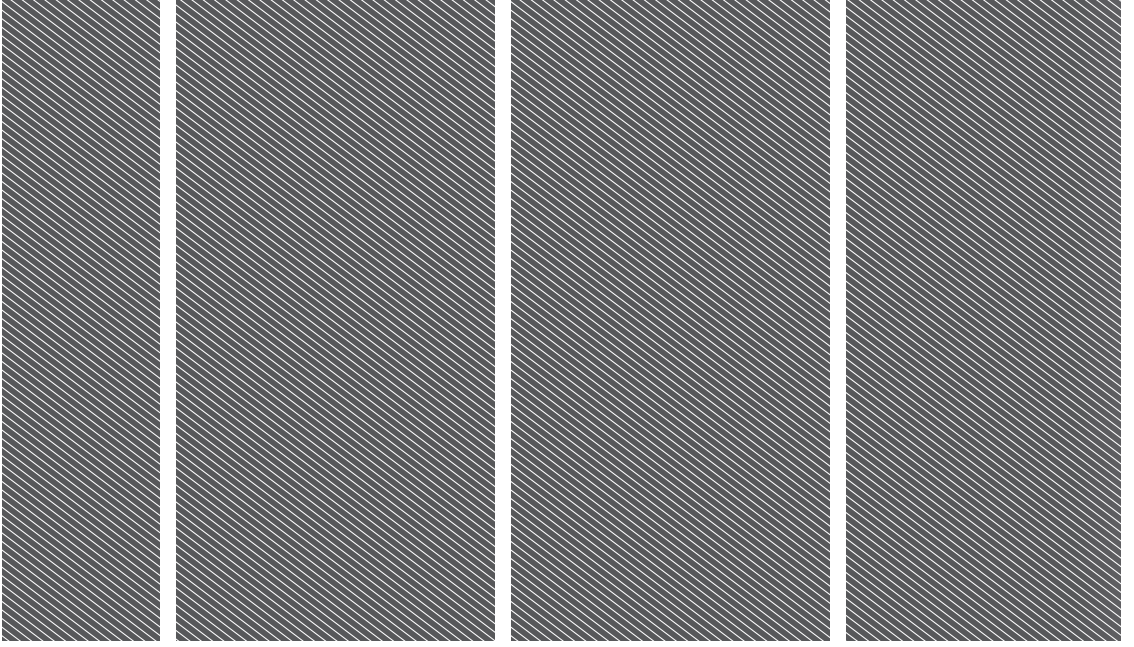
Compatible battery pack (not included)

RB18L13	RB18L25	RB18L60A	RB1840X
RB18L15	RB18L25A	RB18L90A	RB1850C
RB18L15A	RB18L40	RB1815C	RB1850X
RB18L15B	RB18L40A	RB1820C	RB1860X
RB18L20	RB18L50	RB1825C	
RB18L20A	RB18L50A	RB1840C	









Imported by:
Techtronic Industries Australia Pty Ltd
31 Gilby Road, Mount Waverley, VIC 3149
Melbourne, Australia

Techtronic Industries N.Z. Limited
Unit C, 70 Business Parade South,
Highbrook, Auckland 2013, New Zealand

RYOBI is a trade mark of Ryobi Limited, and is used under license.

961075737-01

