

step 2

Follow these instructions to add your parts and accessories.

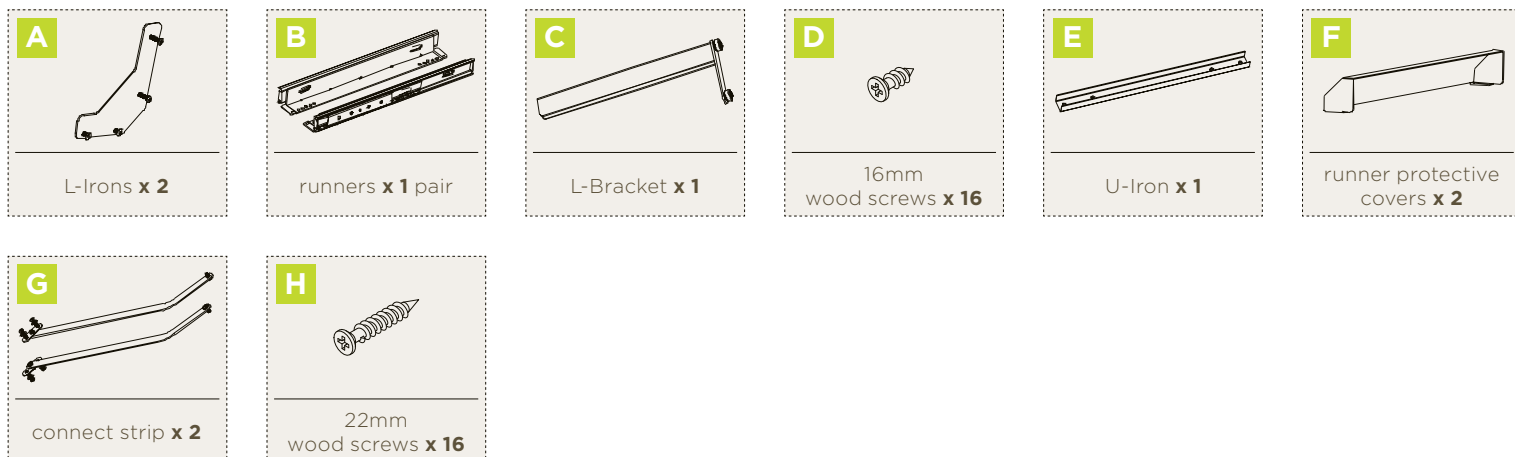


450mm pantry pullout baskets 6 tier

Things you need to know

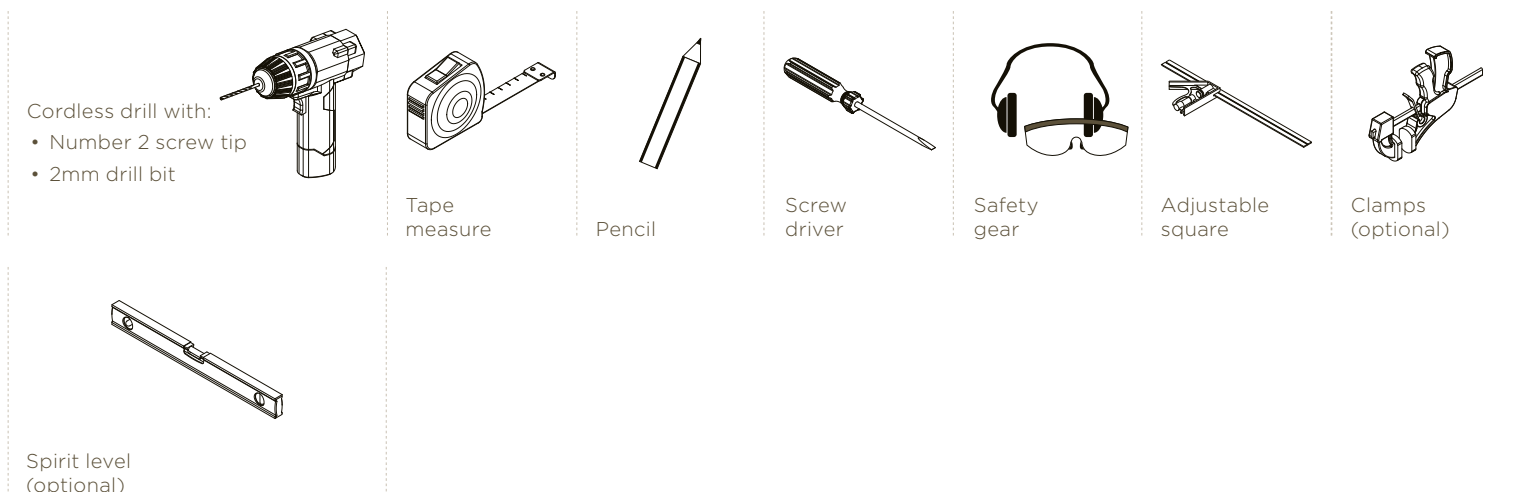
- Always read the full instructions prior to installation.
- Consider possible obstructions to your part and accessories, like hinges inside the cabinet or adjacent cabinet doors and handles, prior to installation.
- Make sure you leave plumbing and electrical work to qualified trades people. Never try this yourself.
- Make sure you always use safety gear like a mask, ear muffs and glasses when using tools.
- This accessory is designed to be installed in cabinets with either a left hand or right hand opening set up.
- **Tip:** After marking out the pre-drill holes as per the instructions, take the part that is to be installed and align the appropriate holes with the markings to ensure they match up prior to pre-drilling the holes.
- If you have any questions, contact us on:
Australia: **1800 666 078** Monday to Friday between 8:00am and 6:00pm AEST, New Zealand: **0800 522 663** Monday to Friday between 8:00am and 5:00pm NZST or email: info@kaboodlegroup.com.au.

Hardware included

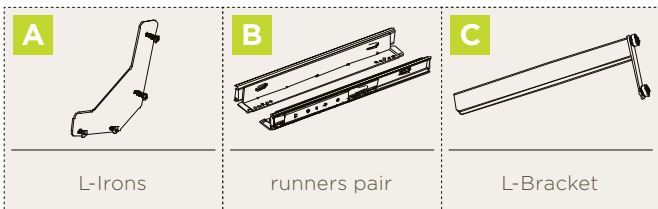


Tools you will need

To put your kaboodle kitchen accessory together you will need the following tools.



hardware key

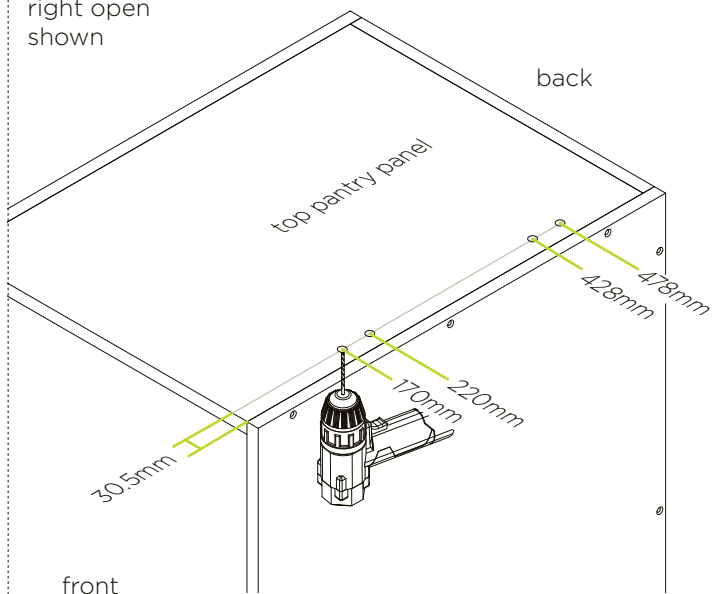


450mm pantry pullout baskets 6 tier

pre-drilling holes (top)

1.

right open shown

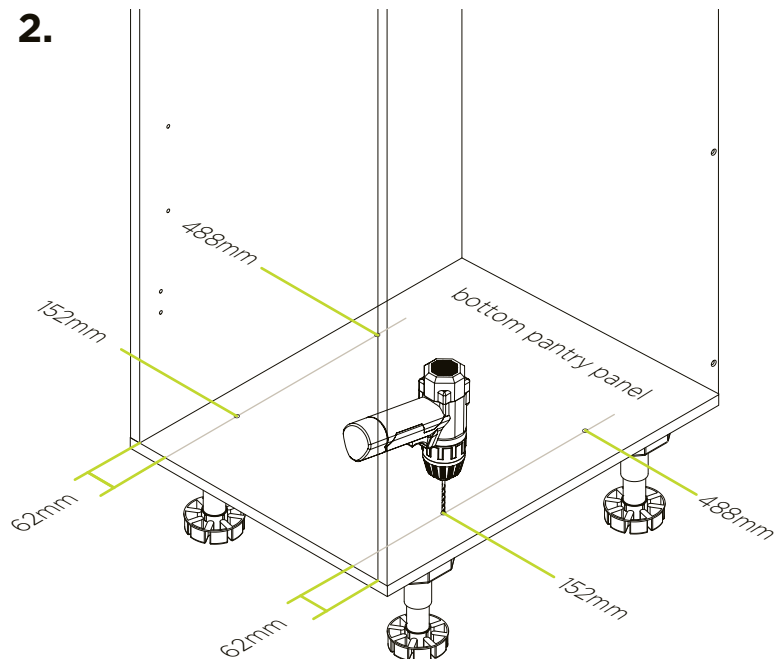


Mark out and pre-drill four holes on the top pantry panel as per the diagram above. Use a 2mm drill bit to pre-drill holes to a depth of 2.5mm.

For left hand open, simply mirror the measurements above.

pre-drilling holes (bottom)

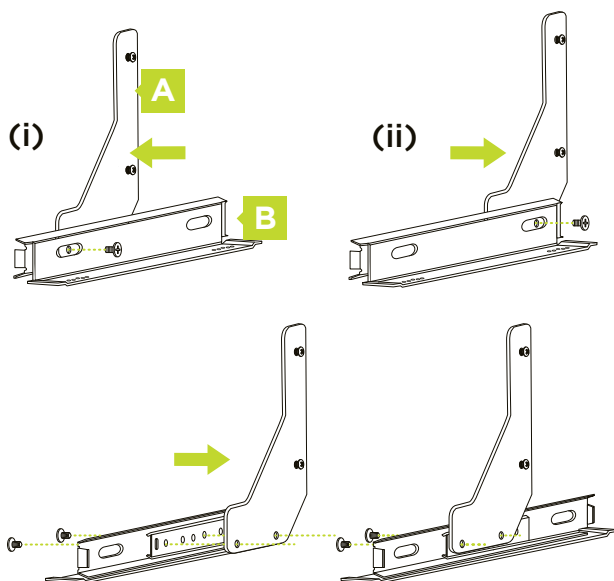
2.



Mark out and pre-drill four holes on the bottom pantry panel as per the diagram above. Use a 2mm drill bit to pre-drill holes to a depth of 2.5mm.

attaching the L-Irons

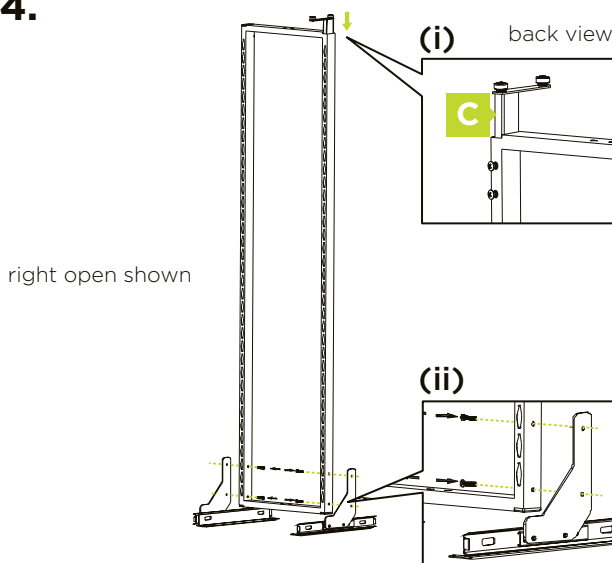
3.






Remove two flat head screws from each L-Iron (A) and attach to the runners (B) as pictured above. **NOTE:** You will need to slide the runner forward (i) and backward (ii) to access the round holes of the runners. Be sure to screw through the runner to the L-Iron as above.

attaching the L-bracket and frame

4.



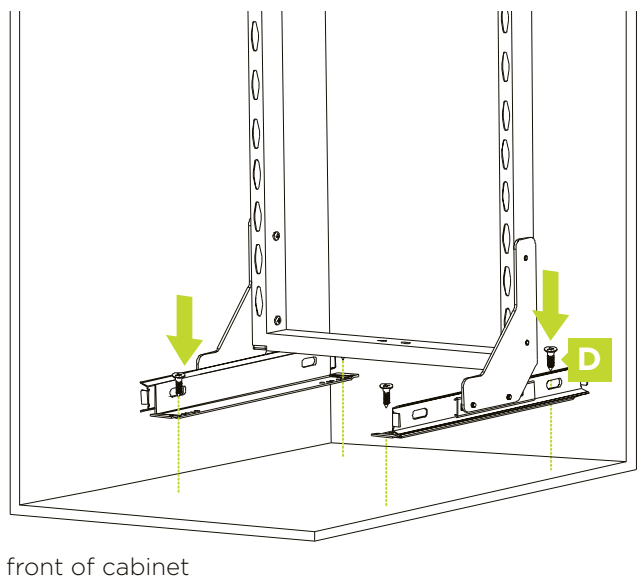
- (i) Remove 2 screws from the back of the frame at the top, insert the L-Bracket and fix into place with the 2 screws as pictured above (i). **NOTE:** It is not necessary to fully tighten the screws at this stage as they will be adjusted at a later stage.
- (ii) Remove the top 2 screws on each L-Iron and attach to the frame. Be sure to screws through the frame to the L-Iron as pictured above (ii).

| | | |
|---|--|--|
| D  | E  | F  |
| 16mm wood screws | U-Iron | runner protective covers |

450mm pantry pullout baskets 6 tier

attaching the runners

5.

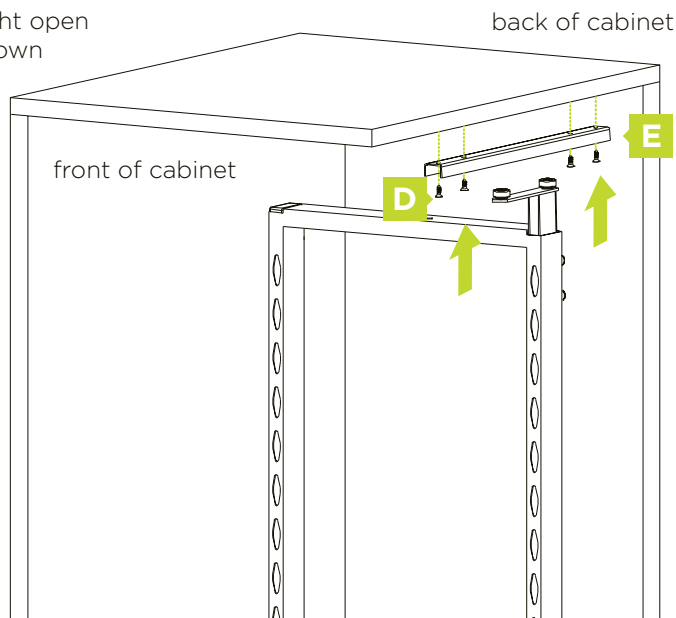


Align the runners with the pre-drilled holes and using 4 x 16mm wood screws (D), fix the runners to the bottom of the cabinet. Secure the runners using a further 8x16mm wood screws, ensuring the screws are spaced evenly on both runners and are mirrored from the left to the right side.

attaching the U-Iron

6.

right open shown

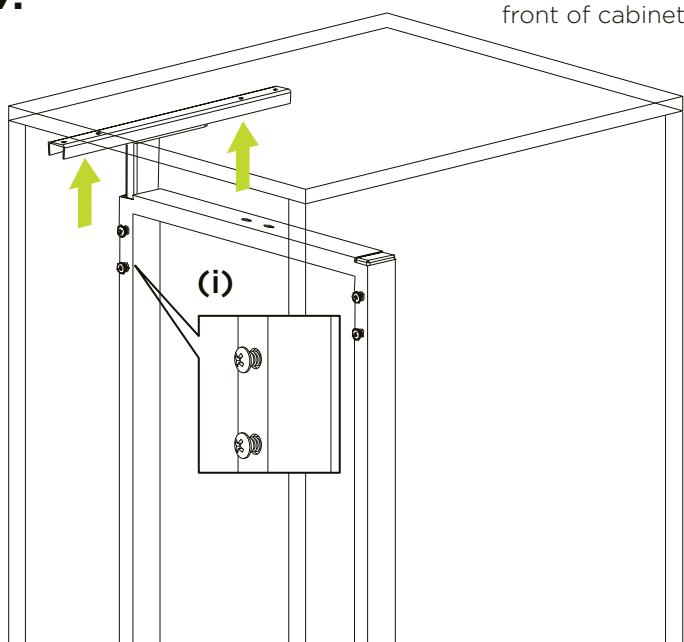


Align the U-Iron (E) with the pre-drilled holes and using 4 x 16mm wood screws (D), fix the U-Iron to the top of the cabinet.

adjusting the L-Bracket

7.

front of cabinet

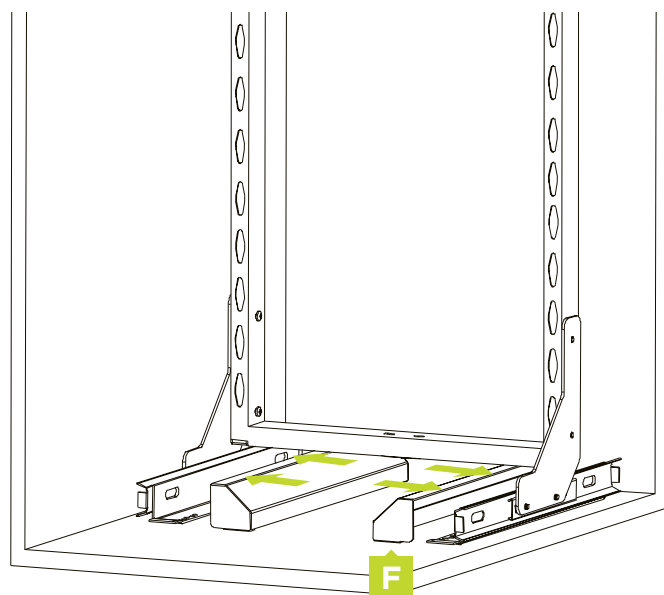


back of cabinet

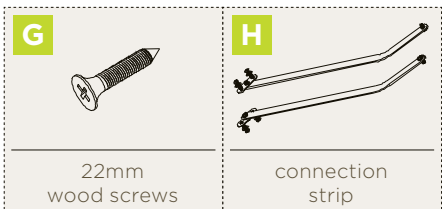
Loosen the 2 screws at the back of the frame (i). Adjust the L-Bracket up so the castors are slotted into the U-Iron completely and tighten screws (i).

installing protective covers

8.



Slide the protective covers (F) over the runners below the frame as pictured above.

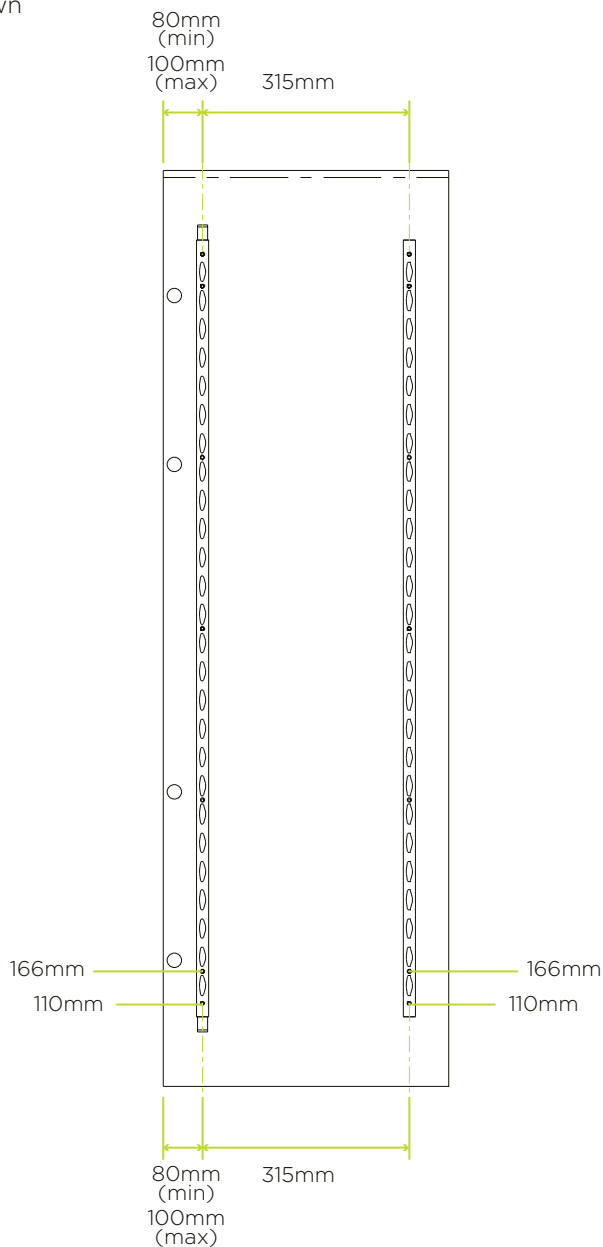


450mm pantry pullout baskets 6 tier

attaching door rack

9.

right open shown



On the back of your pantry door, draw a level line the length of the door 80-100mm from the inside edge. Next draw a second line the length of the door 315mm over from the first line.

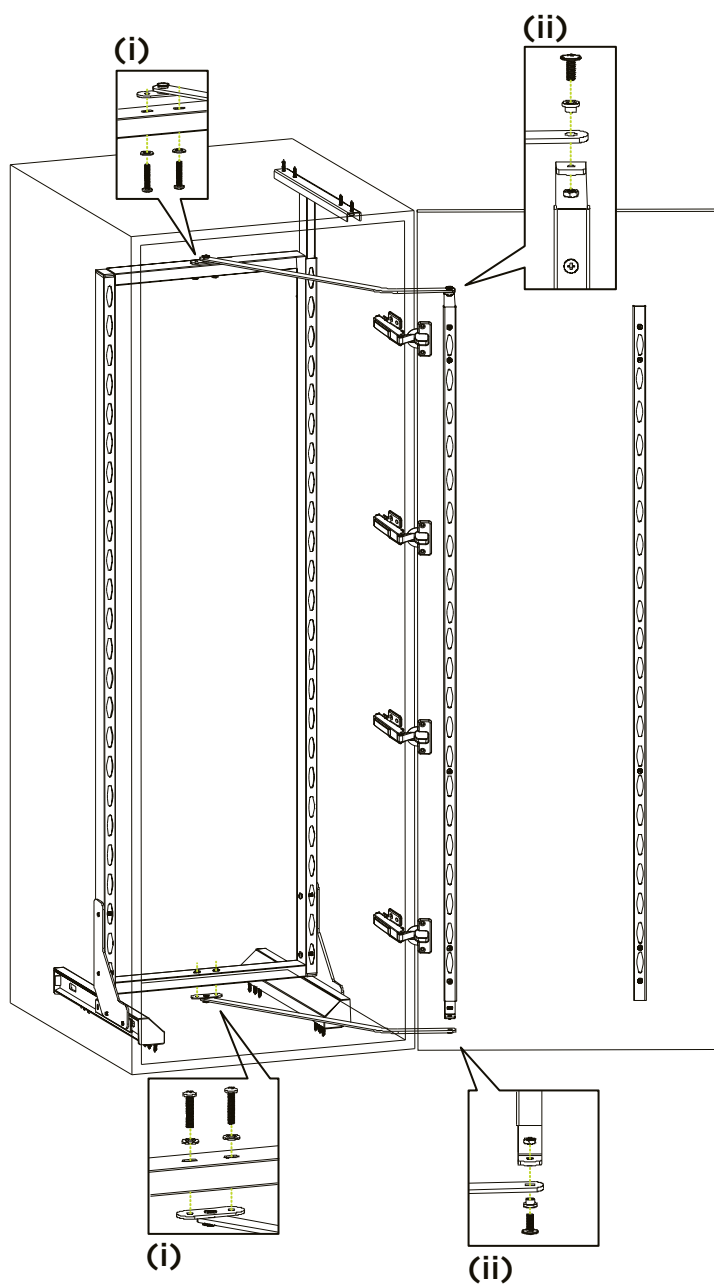
Measuring from the bottom of the door along these lines, mark out the pre-drill holes at 110mm and 166mm as pictured above. Use a 2mm drill bit to pre-drill holes to a depth of roughly 2.5mm.

Align the door rack panels with the pre-drilled holes and fix into place using 4x22mm wood screws (G) as pictured above. Then using the remaining 12 wood screws secure the door rack panels to the door taking care not to damage the front side of the door.

NOTE: For retro-fit installations you will need to unclip your hinges to remove the pantry door and carefully place on a flat, clean surface before marking out the pre-drill holes.

installing connecting strips

10.



Attach the door to the cabinet. **NOTE:** If not a retro-fit installation you will need to install your hinges at this point.

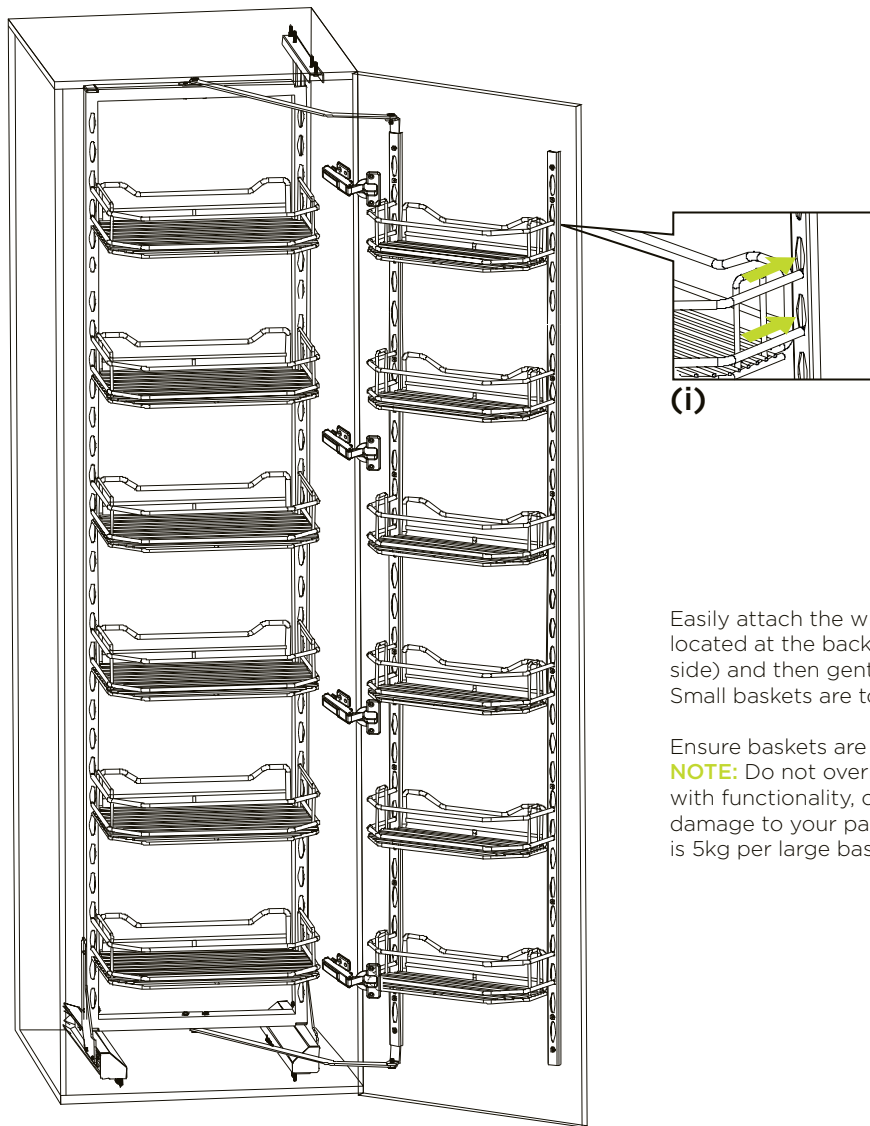
Remove the 2 screws from one end of the connecting strip (H), align with appropriate holes on the frame and fix into place as pictured above (i). **NOTE:** Take care not to misplace any parts.

Next remove the screw from the other end of the connecting strip, align with the hole at the end of the door rack panel and fix into place as pictured above (ii).

450mm pantry pullout baskets 6 tier

installing the baskets

11.



(i)

Easily attach the wire baskets by inserting the wire pegs, located at the back (i), at even intervals (left to right side) and then gently push down to secure into position. Small baskets are to be used on the door rack.

Ensure baskets are secure and level before loading.
NOTE: Do not overload baskets as this could interfere with functionality, cause the product to fail or cause damage to your pantry door. Max weight capacity is 5kg per large basket and 3kg per small basket.

Caring for your kaboodle cabinets

Looking after your cabinets is really easy and with the right care and maintenance they will last you for many years. Just follow these simple steps and if you need any more information you can contact us: Australia: **1800 666 078** Monday to Friday between 8:00am and 6:00pm AEST. New Zealand: **0800 522 663** Monday to Friday between 8:00am and 5:00pm NZST or email: **info@kaboodlegroup.com.au**.

Clean your cabinets with an all purpose, non-abrasive cleaner with a damp sponge or cloth and make sure you never use saturated cloth, harsh chemicals or thinner based cleaners as these will damage the surface of the melamine. Likewise, never use products that will scratch the surface like steel wool or wire brushes and avoid sharp objects that will scratch, cut or gouge the melamine surface. If this happens the internal board will be exposed and may swell. Kaboodle cabinets are water resistant but not water proof so any spills should be attended to immediately.

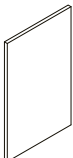
Handy hint: if the melamine surface of your cabinet is damaged you can try and cover it with a furniture repair crayon but just remember that this won't seal the board back to its original finish.

Caring for your kaboodle parts and accessories: Looking after your parts and accessories is really easy and with the right care and maintenance they will last you for many years. Just follow these simple steps. Hinges, runners and other parts and accessories should be kept dry at all times. To keep the mechanisms performing at their best, regularly wipe them with a dry cloth removing any dust and grime that may build up. In case of spills, clean immediately with a dry cloth. Do not use harsh abrasives.

We offer a dedicated customer service line for advice or any questions you may have on kaboodle products.

Call customer service on:
 Australia: **1800 666 078** Monday to Friday between 8.00am and 6.00pm AEST

New Zealand: **0800 522 663** Monday to Friday between 8.00am and 5.00pm NZST or email: **info@kaboodlegroup.com.au**

| | | |
|---|---|--|
| step 1 | ✓ | Your Kaboodle cabinet is now complete. |
| step 4 |  | step 2 |
| Finish off your Kaboodle Kitchen by installing your benchtop. | | Next grab your parts and accessories instructions. |
| step 3 | | Then follow the instructions to fit your doors and panels. |