

Quicktile

### INSTALL: Tile Tray Base, Plumbing, Water Stops & Waterproofing

**WAIT**

#### **Prior Building & Plumbing Preparation:**

Compliance to Stein Tile Shower Pre-Install Specifications & NZ Building Code is essential.  
[Stein.nz/Search/ProFinish](https://stein.nz/Search/ProFinish) Pre-Install Specifications

### WARRANTY

- Faulty goods are covered under warranty. Visit [Stein.nz](https://stein.nz) for details.
- These instructions & Pre-Install information must be followed for warranty to be valid.

### HEALTH AND SAFETY



- Electric wires, gas or water pipes within the wall or floor framing must be marked to protect against life threatening injuries.
- Check MSD Sheets and ventilate any rooms if using any product with harmful vapours.
- Wear protective equipment and suitable clothing for the task undertaken.

## Important!

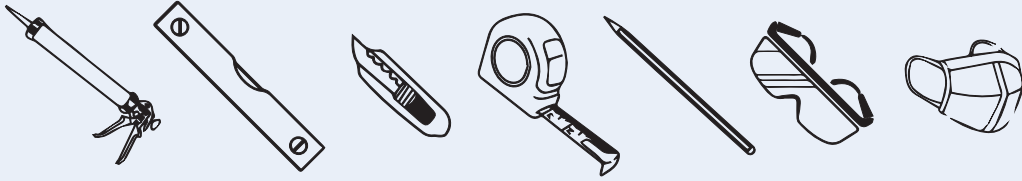
1. When you receive your Channel Drain Kit check that the size is correct and is free of freight damage.
2. Advise Stein 0800 00 2299 of any fault within 12 hours of receiving goods.
3. Any installation of incorrect or damaged product will invalidate later claims.

## INDEX

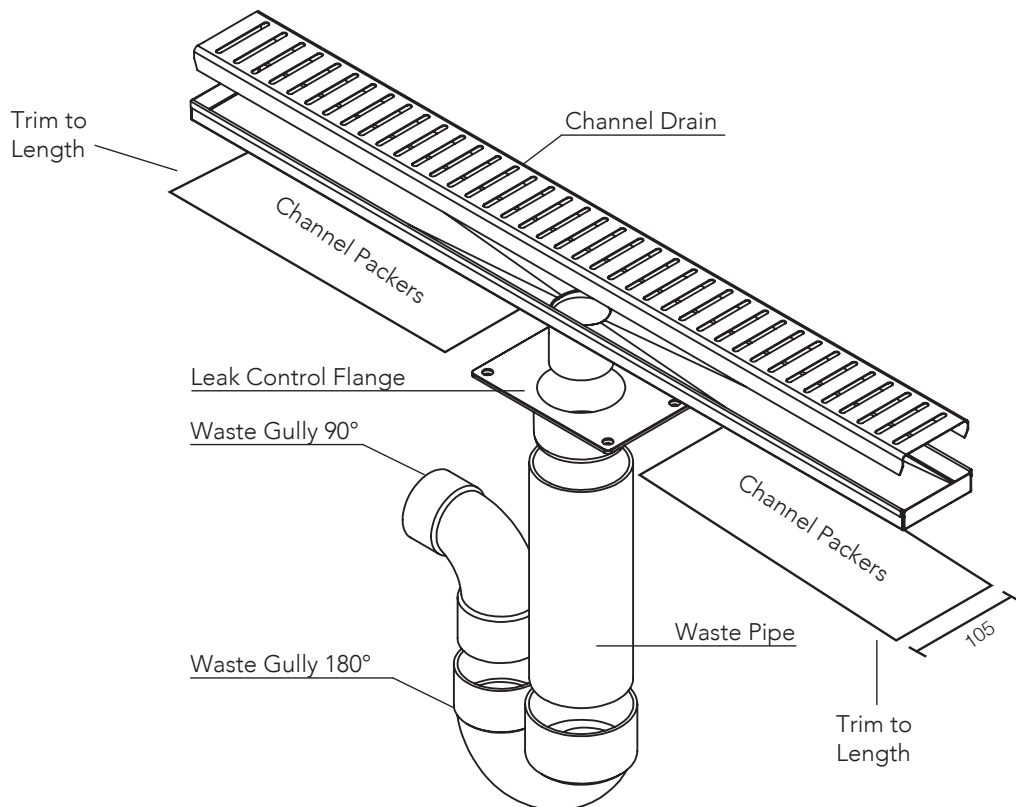
## PAGE

Pre-Install obligations / Warranty / Health & Safety / Check components received	Front
Tools Required, Channel & Waste Components Supplied or Required	2
Channel Drain Specifications: Tray Base Range including waste positioning	3
Channel Drain: Positioning to Tray, Wall, and adjacent Tiles	4
Bonding of Tray to Floor and Water Stop Detail requirements for Tiler	5
Approved Waterproofing Systems	6

## TOOLS REQUIRED



## CHANNEL DRAIN COMPONENTS



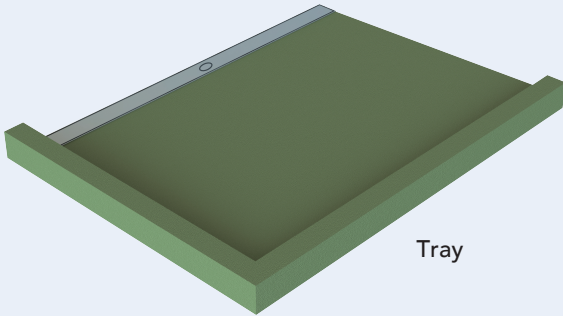
## COMPONENTS SUPPLIED OR REQUIRED

- |                         |  |
|-------------------------|--|
| 1. Channel Drain Kit    | Supplied (Size as order) components as above |
| 2. QuickTile Tray Base  | Supplied (Size as order)                     |
| 3. 3 Maxbond Cartridges | Required from Bunnings                       |
| 4. Water Stop           | Tiler is Responsible                         |

# CHANNEL DRAIN SPECIFICATIONS: Tray Base Range

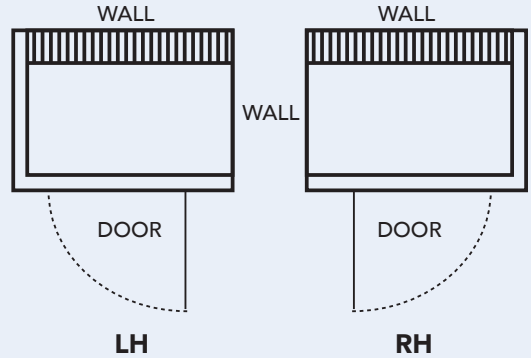


Channel Drain



Tray

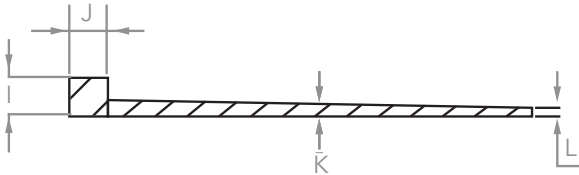
## TRAY ORIENTATION



LH

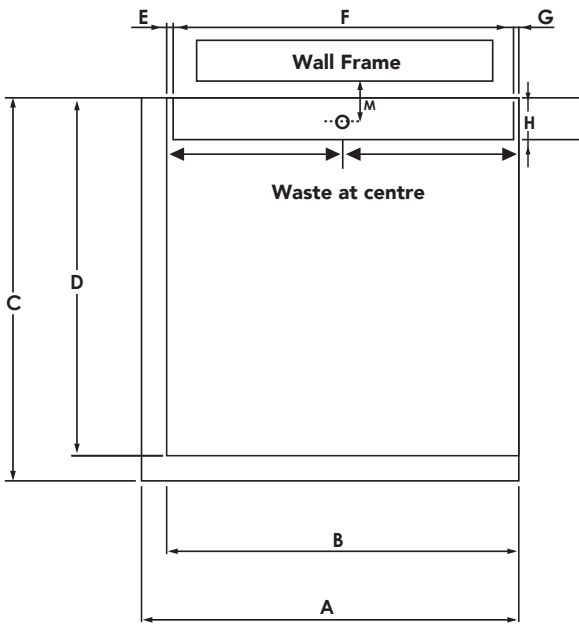
RH

## Slope to Drain

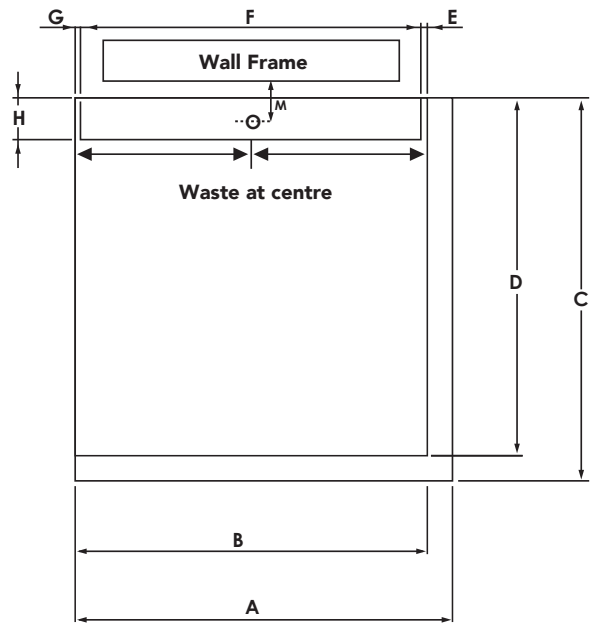


## Waste Position

1. The 10mm "Wet Grade" wallboard installed down to floor with tray base butting to this.
2. Waste centered to Tray Base and is 64mm off wall frame.



LH Tray

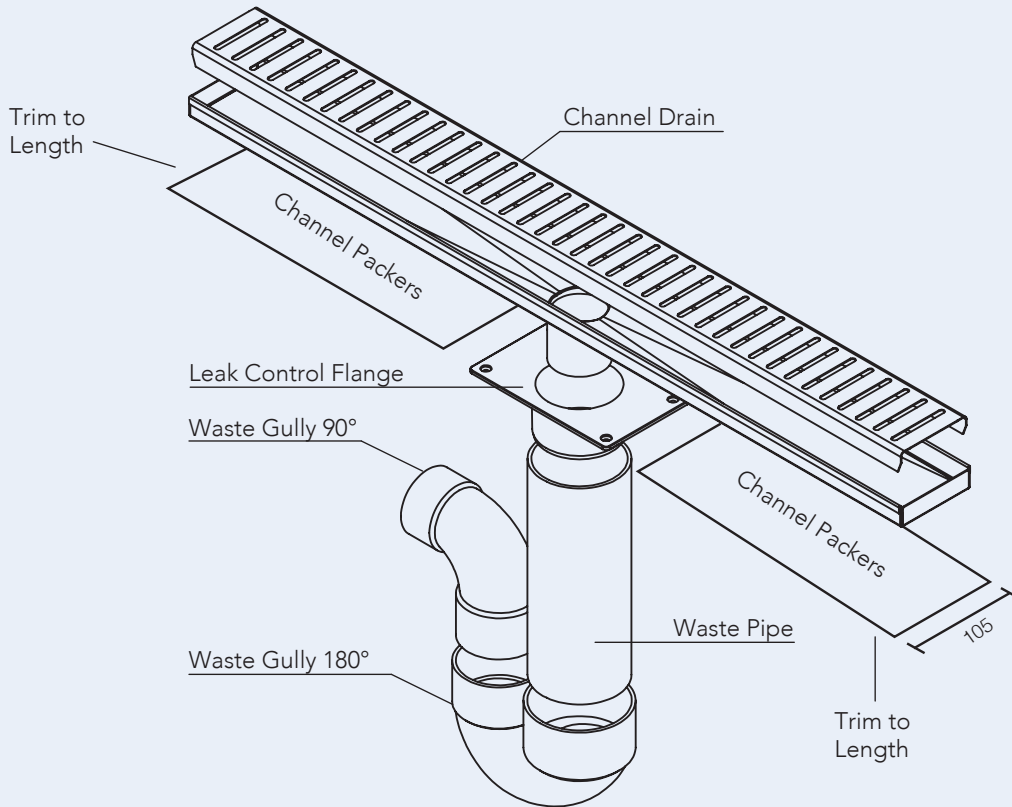


RH Tray

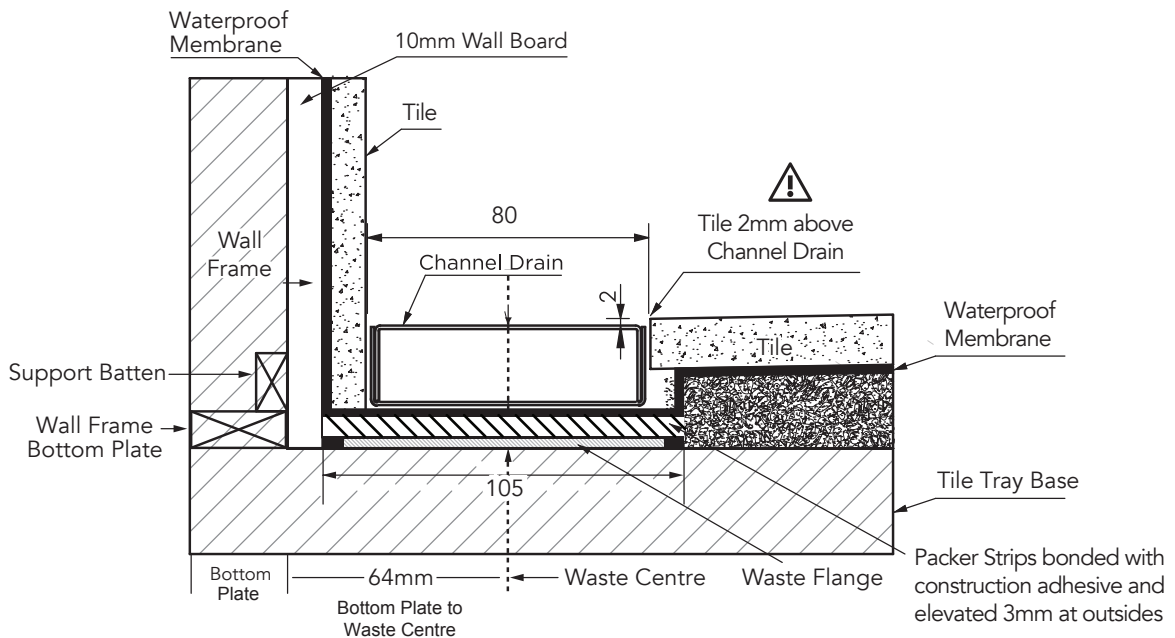
## QuickTile Reference Table

	A	B	C	D	E	F	G	H	I	J	K	L	M
QuickTile Tray Only 900x900 Centre Waste 2S	900	840	900	840	15	810	15	95	60	60	0.95	21	64
QuickTile Tray Only 1000x1000 Centre Waste 2S	1000	940	1000	940	15	910	15	95	60	60	0.95	21	64
QuickTile Tray Only 1200x900 Centre Waste LH 2S	1200	1140	900	840	65	1010	65	95	60	60	0.95	21	64

## CHANNEL DRAIN: Positioning to Tray Walls & Tiles



## Alignment Checks

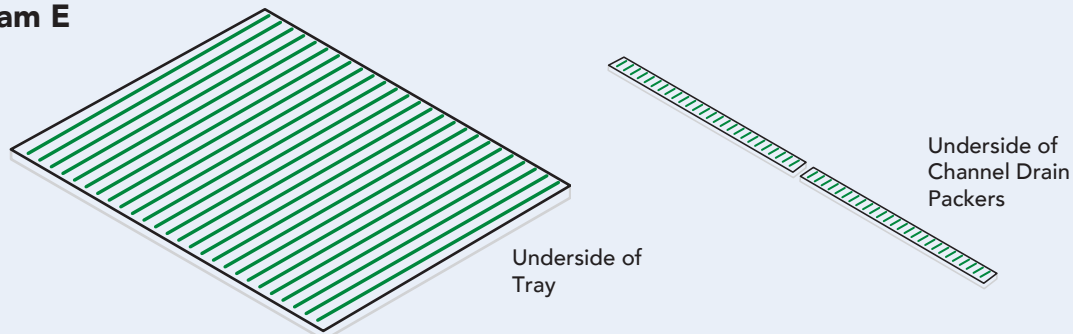


**Channel Drain Packer Strips 4.5mm thick x 105 wide:** Bonded down with Maxbond. Place hard on floor each side of waste flange and raised up by 3mm at outside.

## TRAY BASE: CHANNEL DRAIN MAXBOND BONDING SPECS

1. On the Tray base underside and the channel drain packers start at edge applying 8mm beads of adhesive in lines at 55mm centres as Diagram E.
2. Keep adhesive lines as Diagram E and do not merge across lines as this encapsulates solvents and will greatly slow down curing.
3. Place tray base into position applying pressure against walls and use even pressure to bed the adhesive into the floor.
4. Protect Tray Base from access during curing time (Curing rate 2mm to 3mm/24hr at 20 degrees).
5. Elevate room temperatures in cold conditions as under 5 degrees the adhesive is inert.

Diagram E



Cartridge bonding with Maxbond (as above, 8mm beads of glue lines at 5mm centres.



Use parallel glue lines exactly as shown.

## WATER STOP OVERVIEW

### WATER STOPS MUST BORDER A TILED SHOWER ENCLOSURE FOR WATER CONTAINMENT

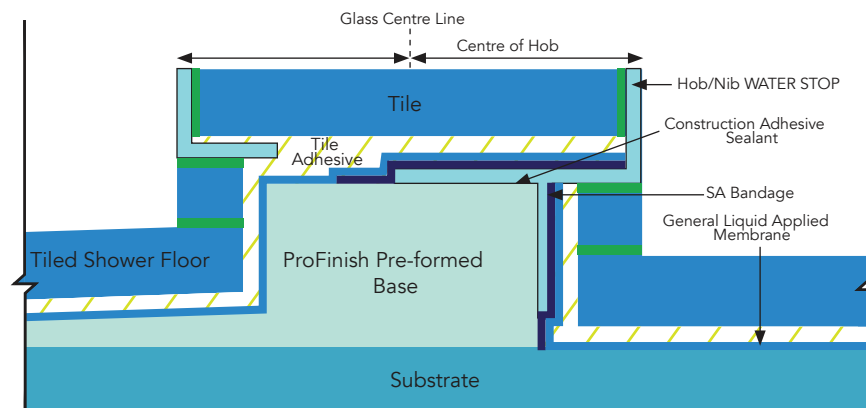
\*All work must comply with (NZBC) E3/AS2 as per IWAM Code of practice or AS3740



#### Wall Water Stop: Leading edge must line up to Glass Centre Line

The green lines in drawings show silicon sealed joints.

### HOB TRAY: Water Stop must be on opposite side to shower floor.



The Tiler's is responsible to comply to (NZBC) Code for Water Stops

## WATERPROOFING

- The Independent Waterproofing Manufacturers listed below have tested their systems and procedures on Newline ProFinish Tile Trays. This represents years of proven track record.
- At the time of publication all Waterproofing Systems hold a BRANZ Appraisal.
- All the Waterproofing Systems listed have an aligned Tiling Systems. You must use the associated Waterproofing & Tiling system for compatibility, performance and accountability.
- A Producer Statement must be provided to the Council Authority and Owner detailing the Waterproofing applicator ID or Code. As an appendage also include the tiling system utilised.
- Applicators must be trained and hold current Accreditation with the respective system being utilised for the Warranty to be valid. We advise you to ask for these credentials.

COMPANY	PRIMER	PRODUCTS	CONTACT	WARRANTY
<b>ARDEX</b>	Prep: Wipe down with damp cloth - No primer	1. ARDEX WPM 155 Rapid (1 Part Poly- Acrylic) 2. Ardex Superflex WPM 002 (2 Part) 3. ARDEX WPM 750 WeldTec Undertile Sheet Membrane*	Ronald Rose 027 838 5691 ronald.rose@ardexnz.com	15 Years  *20 Years
<b>DAVCO Tilemax Ltd</b>	Davco Primex	1. Davco K10 Plus - Polyurathane (Coat Primex within 24 hrs) 2. Davco K10 Rapid	Isaac Gordan 022 127 7694 isaac@tilemax.co.nz	15 Years
<b>DRIBOND CONSTRUCTION CHEMICALS</b>	Primax Bonding slurry - Kemcrete mixed 50/50 with cement or Gripflex	1. Hydrathane 2. Liquid Flash 2-Pack 3. Reomat b/breaking Tapes	Steve Plester 022 1205416 sp.conchem@extra.co.nz	15 Years
<b>LATICRETE GLOBAL TILE</b>	As per instructions No primer required	Hydro Ban Waterproof Membrane	Jared Caldwell 021 654 341 jared@globaltile.co.nz	15 Years
<b>MAPEI</b>	Ecoprim Grip Mapeprim SP	1. Mapelastc AquaDefence 2. Mapegum WPS 3. Mapelastc Smart (2 Part)	Jennifer Price 029 2799 700 jennifer.price@mbpltd.co.nz	15 Years
<b>SIKA (NZ)</b>	As per instructions	Sikalastic-152 (2 Part) Sikalastic-220W	Paul Hunter 09 820 2900 027 499 8805 hunter.paul@nz.sika.com	15 Years
<b>CTA</b>	Prep N Prime	Aquablock SBR Aquablock WPU Aquablock (2 Part)		
<b>Technokolla NZ Trade Supplies Ltd</b>	Prep: Clean and Vac surface. Technokolla Primer 101	1. Technokolla RL80 SeamTape joins Rasolastic Advance (2 Part) 2. Strataflex & Rasogum over laps	Scott Newton 021 243 4343 scott@technokolla.co.nz	15 Years

- QuickTile Bases are manufactured by Newline. This is warranted for performance and intergrity for 20 years.
- All Waterproofing and Tile Installation must be installed as per manufactures Specifications as any deviation from the instructions may result in a performance failure.
- All Tiling must follow BRANZ Good Tiling Practice Edition 3.

\* This document is current as of 06/10/24

## CONTACT

# STEIN

**Freephone:** 0800 002 299  
**Email:** info@stein.co.nz

**Phone:** 07 928 9990  
**www.stein.nz**