

AEG

BKP18C600

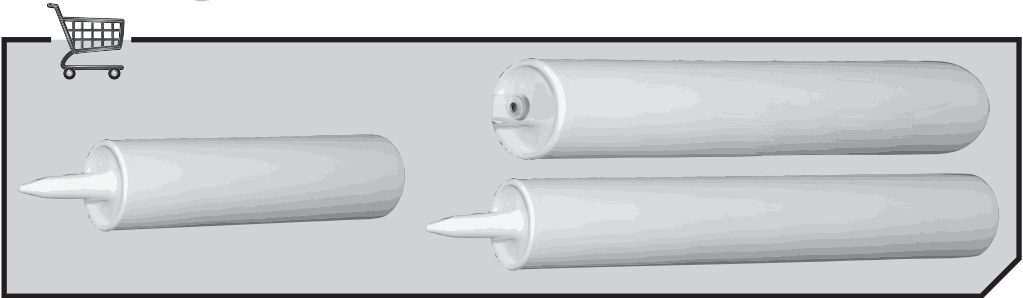
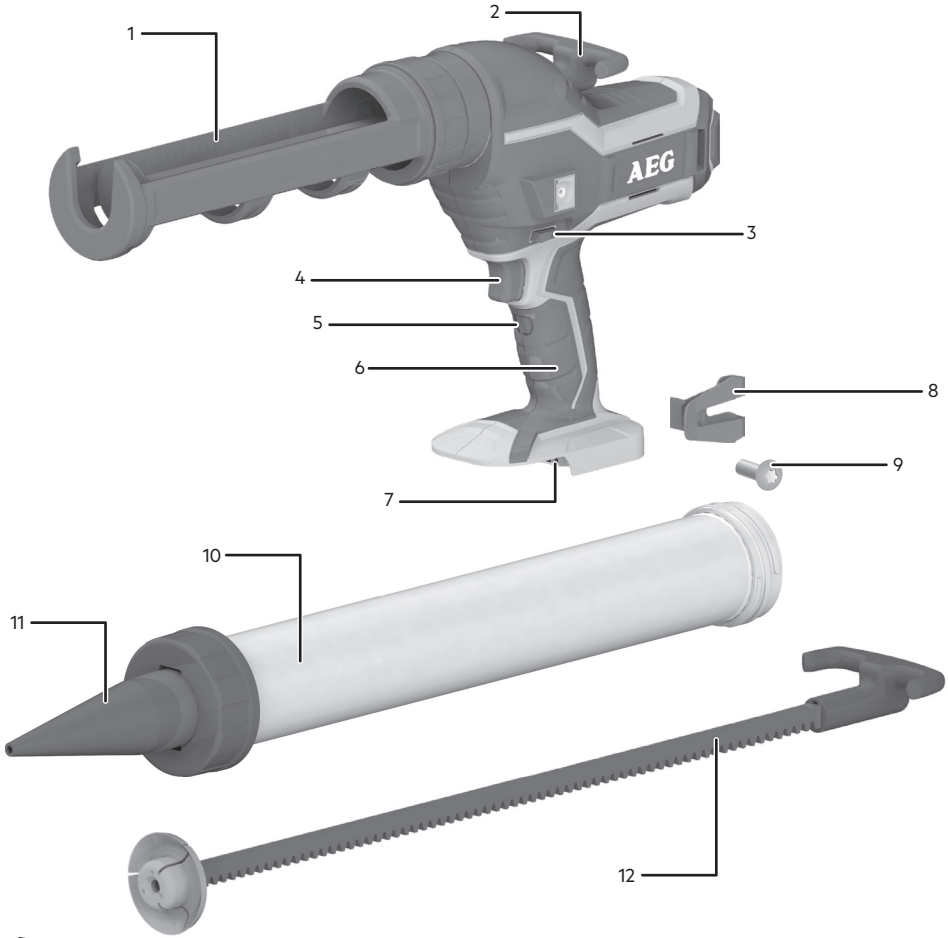
Original instructions

Important!

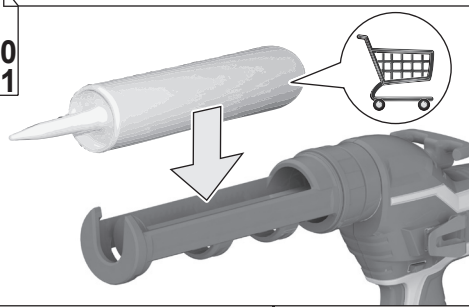
It is essential that you read the instructions in this manual before assembling, operating and maintaining the product.

Subject to technical modifications.

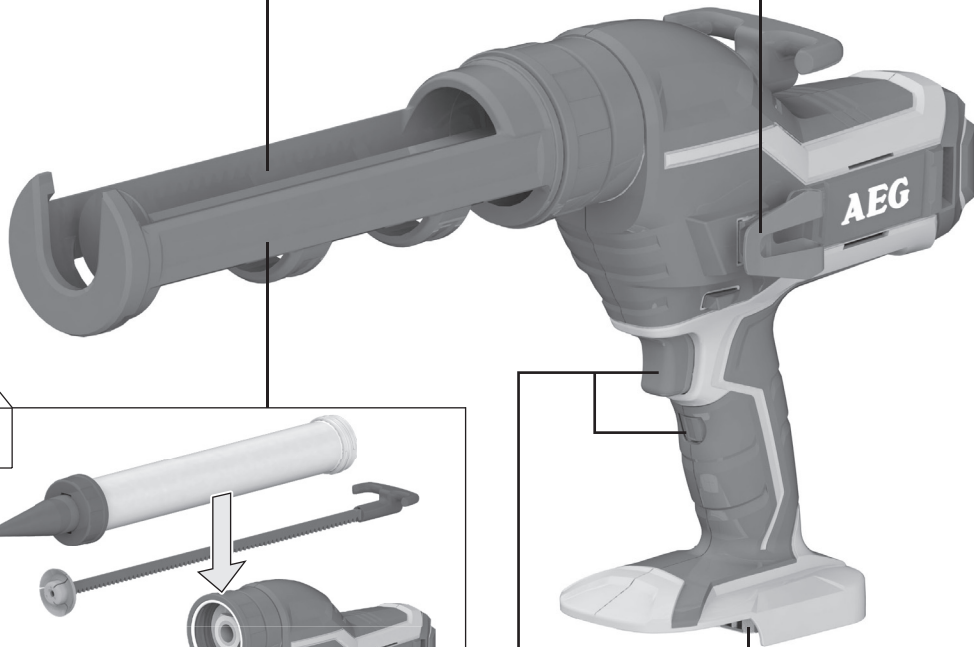
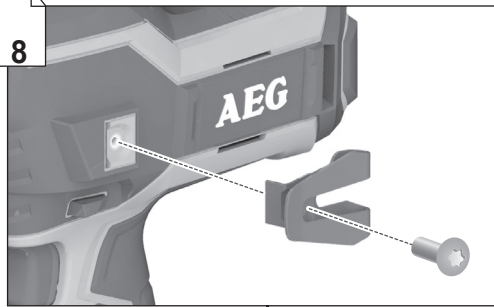
- | | | |
|--|---------------------------------------|-----------------------|
| 1. Short cartridge Holder (300ml) | 6. Handle, insulated gripping surface | 11. Nozzle |
| 2. Short plunger rod (for 300ml cartridge) | 7. Battery port | 12. 600ml Plunger Rod |
| 3. Trigger lock | 8. Belt clip | |
| 4. Trigger | 9. Belt clip screw | |
| 5. Speed dial | 10. Long Cartridge Holder (600ml) | |



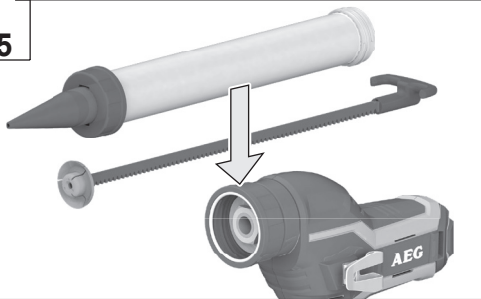
9
10
11



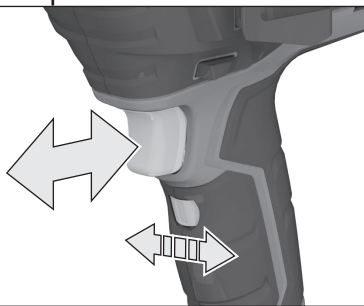
8



5

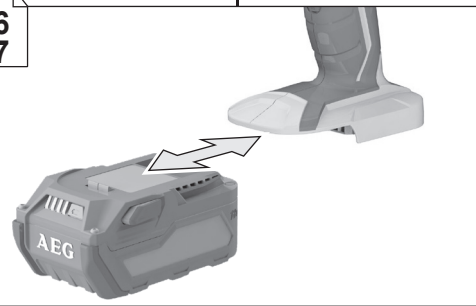


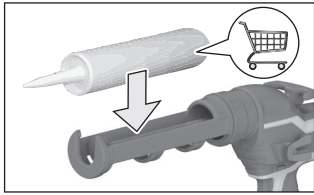
8



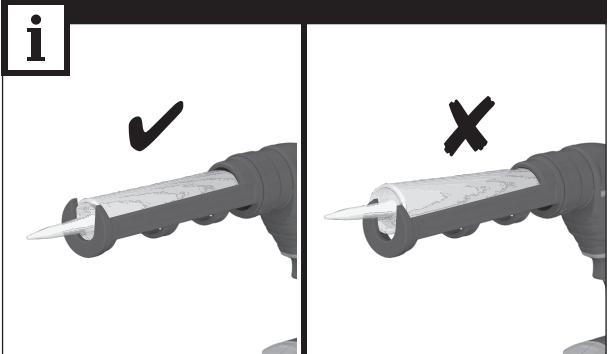
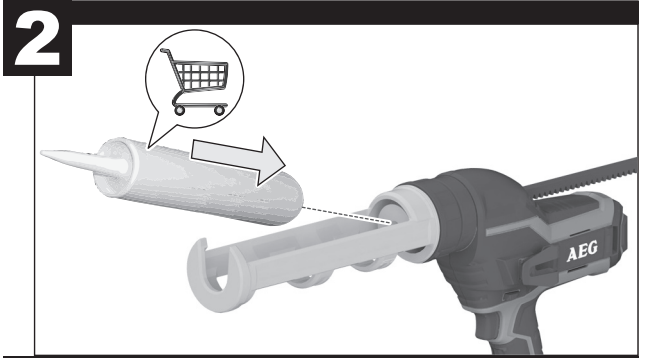
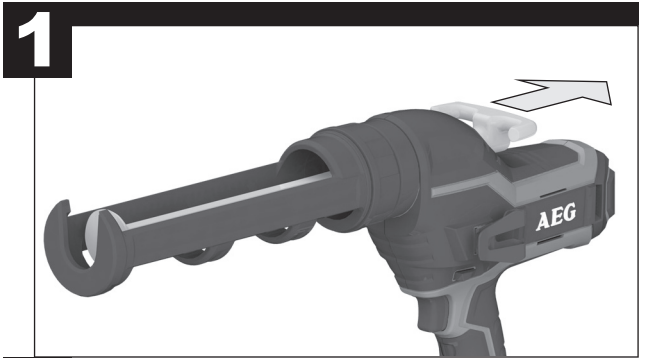
START
STOP

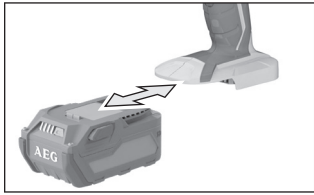
6
7

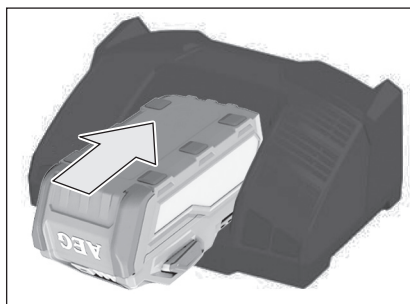
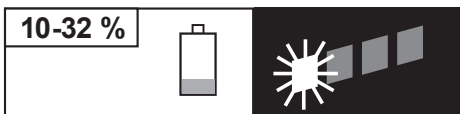
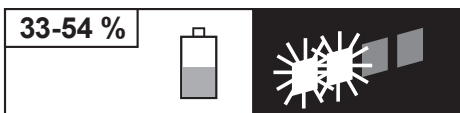
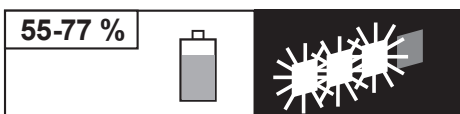
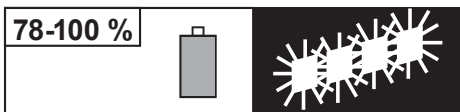
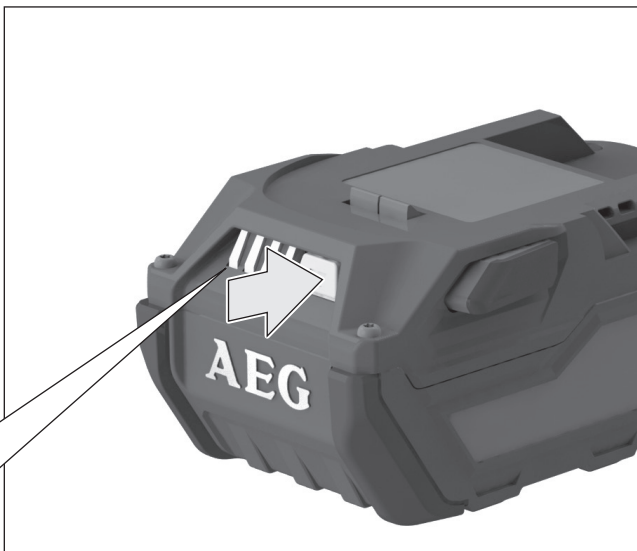


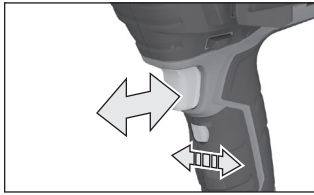


Remove the battery pack before starting any work on the machine.

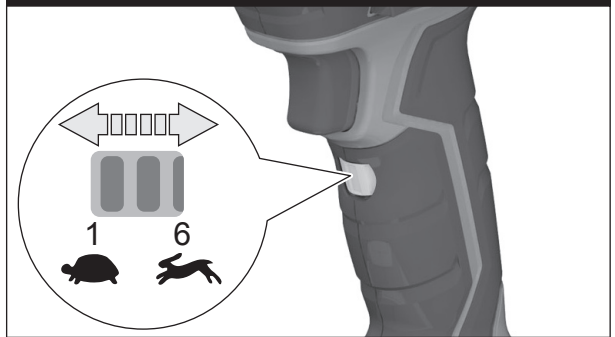
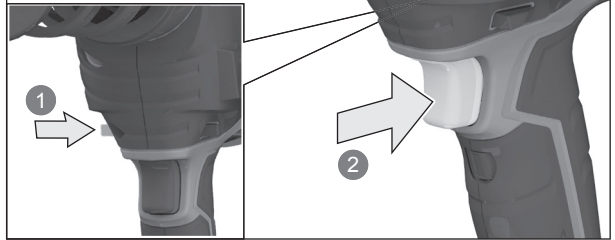




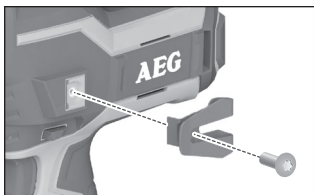
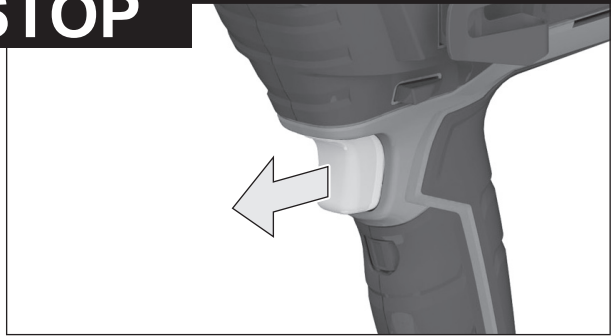




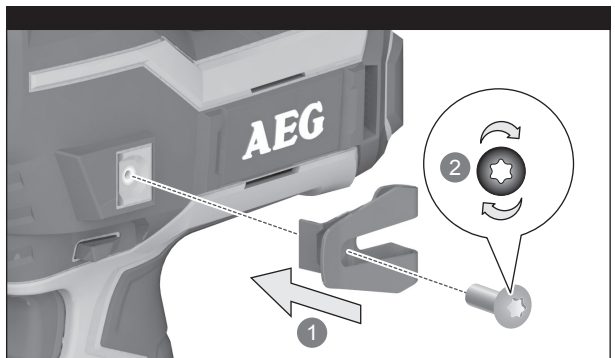
START

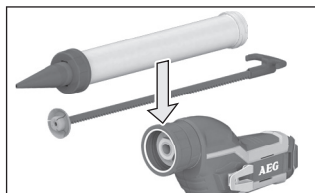


STOP



Remove the battery pack before starting any work on the machine.



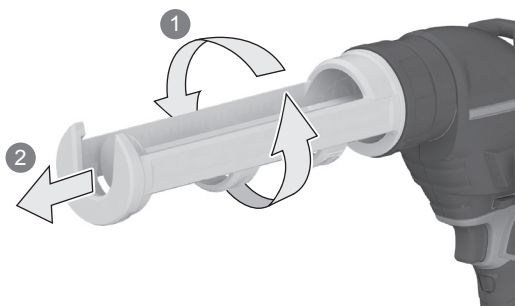


Replacing short 300ml cartridge holder with long 600ml cartridge holder.

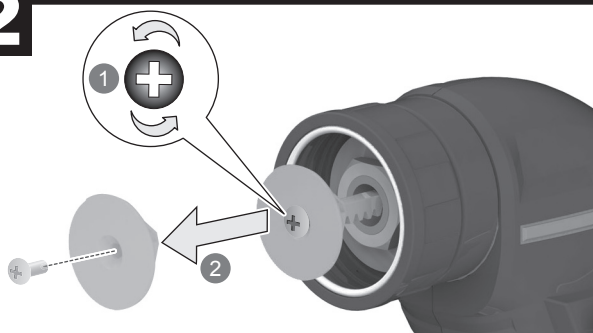


Remove the battery pack before starting any work on the machine.

1



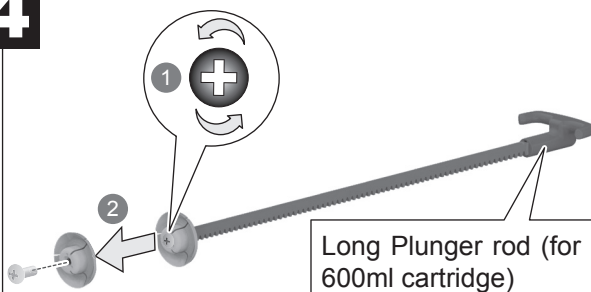
2



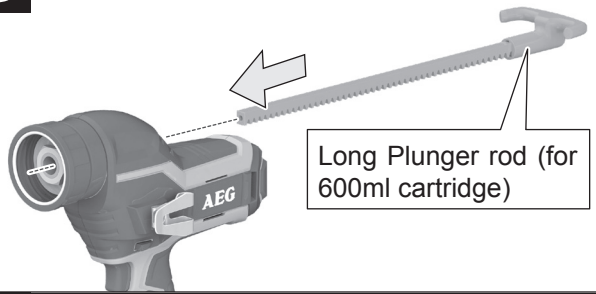
3



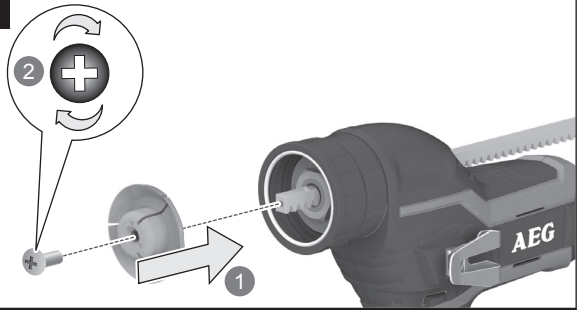
4



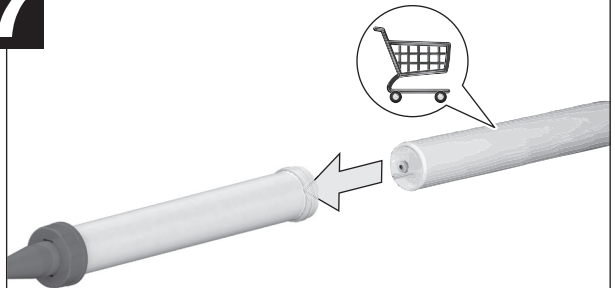
5



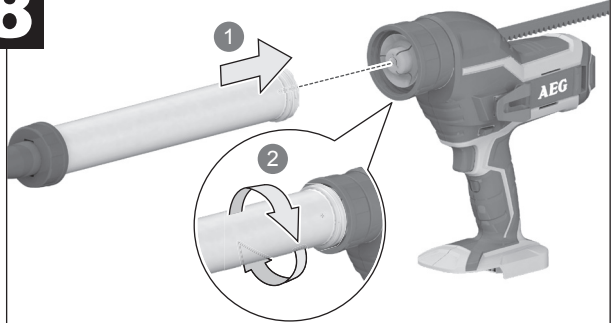
6

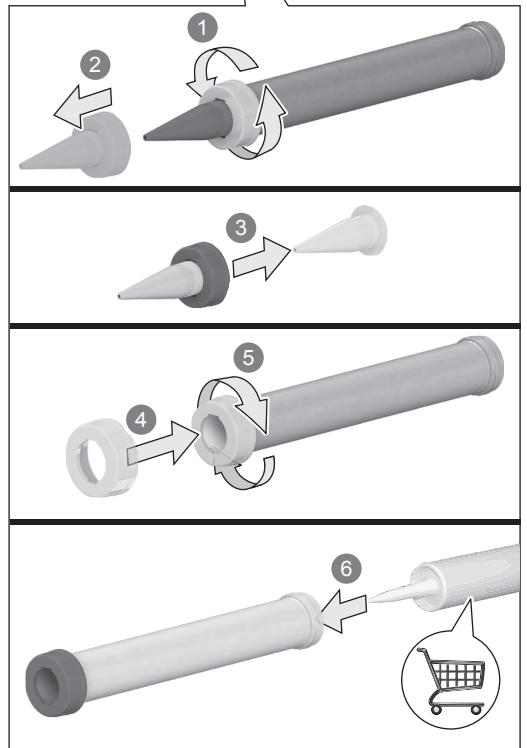
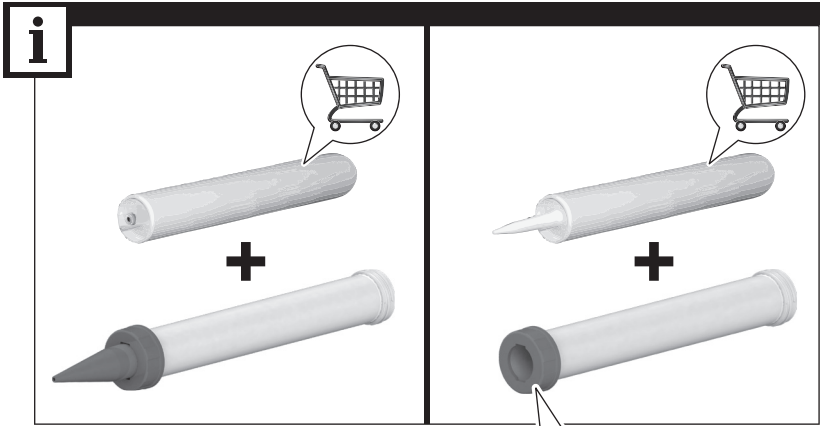


7



8





**TECHNICAL DATA****CORDLESS CAULKING GUN****BKP18C600**

Rated voltage	18V ---
No-load speed	
Setting 1	5.08 cm/min
Setting 2	10.16 cm/min
Setting 3	15.24 cm/min
Setting 4	22.86 cm/min
Setting 5	43.18 cm/min
Setting 6	66.04 cm/min
Weight - not including battery pack	2.33 kg
Recommended ambient operating temperature	-18 to + 50 °C
Measured values determined according to EN 60745. Typically, the A-weighted noise levels of the tool are:	
A-weighted sound pressure level	$L_p = 56.5$ dB(A)
Uncertainty K	3 dB(A)
A-weighted sound power level	$L_w = 67.5$ dB(A)
Uncertainty K	3 dB(A)
Wear ear protectors.	
The vibration total values (triaxial vector sum) determined according to EN 60745:	
Vibration emission value	$a_n < 2.5$ m/s ²
Uncertainty K	1.5 m/s ²

⚠ WARNING

The vibration emission level given in this information sheet has been measured in accordance with a standardised test given in EN 60745 and may be used to compare one tool with another. It may be used for a preliminary assessment of exposure. The declared vibration emission level represents the main applications of the tool. However if the tool is used for different applications, with different accessories or poorly maintained, the vibration emission may differ. This may significantly increase the exposure level over the total working period.

An estimation of the level of exposure to vibration should also take into account the times when the tool is switched off or when it is running but not actually doing the job. This may significantly reduce the exposure level over the total working period.

Identify additional safety measures to protect the operator from the effects of vibration such as: maintain the tool and the accessories, keep the hands warm, organisation of work patterns.

BATTERY AND CHARGER

Compatible battery pack (not included)	Compatible charger (not included)
L1815R	
L1820R	
L1825R	AL18G
L1830R	AL1218G
L1840R	BL1218
L1850R	BLK1218
L1860R	BL18DP-X5
L1860B	BL18DP2-X5
L1860R-X5	
L1890R	

Use AEG 18V battery and charger only

⚠ WARNING! Read all safety warnings, instructions, illustrations and specifications provided with this power tool. Failure to follow all instructions listed below may result in electric shock, fire and/or serious injury. **Save all warnings and instructions for future reference.**

CAULKING GUN SAFETY WARNINGS

Keep hands out of the piston and rod area of the caulking gun. Fingers

can be pinched between the tube holder and the piston.

Never reach into the danger area of the product when it is running.

Immediately switch off the product in case of considerable vibrations or if other malfunctions occur. Check the product in order to find out the cause.

Do not dispose of used battery packs in the household refuse or by burning them. AEG Distributors offer to retrieve old batteries to protect our environment.

Do not store the battery pack together with metal objects (short circuit risk).

Use only System GBS chargers for charging System GBS battery packs. Do not use battery packs from other systems.

Never break open battery packs and chargers and store only in dry rooms. Keep dry at all times.

Battery acid may leak from damaged batteries under extreme load or extreme temperatures. In case of contact with battery acid wash it off immediately with soap and water. In case of eye contact rinse thoroughly for at least 10 minutes and immediately seek medical attention.

ADDITIONAL BATTERY SAFETY WARNINGS

⚠ WARNING! To reduce the risk of fire, personal injury, and product damage due to a short circuit, never immerse your tool, battery pack





or charger in fluid or allow a fluid to flow inside them. Corrosive or conductive fluids, such as seawater, certain industrial chemicals, and bleach or bleach containing products, etc., can cause a short circuit.

SPECIFIED CONDITIONS OF USE

The caulking gun is intended to be used only by adults who have read and understood the instructions and warnings in this manual and can be considered responsible for their actions. The caulking gun is designed for the following purposes:

- Sealing cracks to keep your home's conditioned air inside while keeping unconditioned air outside, increasing your home's energy efficiency.
- Filling holes and cracks before painting.
- Creating a moisture barrier around areas that could be damaged by water.
- Sealing cracks to keep insects from crawling inside your home.
- Applying adhesive.

Do not use the product in any way other than those stated for intended use.

BATTERIES

Battery packs which have not been used for some time should be recharged before use.

Temperatures in excess of 50°C (122°F) reduce the performance of the battery pack. Avoid extended exposure to heat or sunshine (risk of overheating).

The contacts of chargers and battery packs must be kept clean. For an optimum life-time, the battery packs have to be fully charged, after used.

To obtain the longest possible battery life remove the battery pack from the charger once it is fully charged.

For battery pack storage longer than 30 days:

Store the battery pack where the temperature is below 27°C and away from moisture.

Store the battery packs in a 30% - 50% charged condition.

Every six months of storage, charge the pack as normal.

TRANSPORTING LITHIUM BATTERIES

Lithium-ion batteries are subject to the Dangerous Goods Legislation requirements.

Transportation of those batteries has to be done in accordance with local, national and international provisions and regulations.

- The user can transport the batteries by road without further requirements.
- Commercial transport of Lithium-Ion batteries by third parties is subject to Dangerous Goods regulations. Transport preparation and transport are exclusively to be carried out by appropriately trained persons and the process has to be accompanied by corresponding experts.

When transporting batteries:

- Ensure that battery contact terminals are protected and insulated to prevent short circuit.
- Ensure that battery pack is secured against movement within packaging.
- Do not transport batteries that are cracked or leaking.

Check with forwarding company for further advice.

BATTERY PACK PROTECTION

The battery pack has overload protection that protects it from being overloaded and helps to ensure long life. Under extreme stress the battery electronics switch off the machine automatically. To restart, switch the machine off and then on again. If the machine does not start up again, the battery pack may have discharged completely. In this case it must be recharged in the battery charger.

MAINTENANCE

The ventilation slots of the machine must be kept clear at all times. Use only AEG accessories and AEG spare parts. Should components need to be replaced which have not been described, please contact one of our AEG service agents (see our list of guarantee/service addresses).

If needed, an exploded view of the tool can be ordered. Please state the Article No. as well as the machine type printed on the label and order the drawing at your local service agents or directly at:

Techtronic Industries Australia Pty Ltd

PO Box 1065
Mount Waverley VIC 3149
Tel. no. 1300 234 797
Australia

Techtronic Industries N.Z. Limited

PO Box 12-806
Penrose AUCKLAND 1642
Tel. no. 0800 234 797
New Zealand

SYMBOLS



Safety alert

n

Rated speed

V

Volts



Direct current



Regulatory Compliance Mark (RCM). Product meets applicable regulatory requirements.



Please read the instructions carefully before starting the machine.



Parts or accessories sold separately



Do not dispose of electric tools together with household waste material. Electric tools and electronic equipment that have reached the end of their life must be collected separately and returned to an environmentally compatible recycling facility.







AEG

www.aegpowertools.com.au
www.aegpowertools.co.nz

Techtronic Industries Australia Pty Ltd

31 Gilby Road, Mount Waverley, VIC 3149
Australia

Techtronic Industries N.Z. Limited

2 Landing Drive, Mangere
Auckland, 2022, New Zealand

961003035-01A