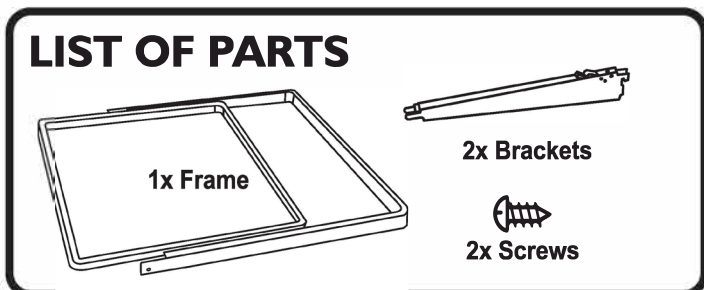
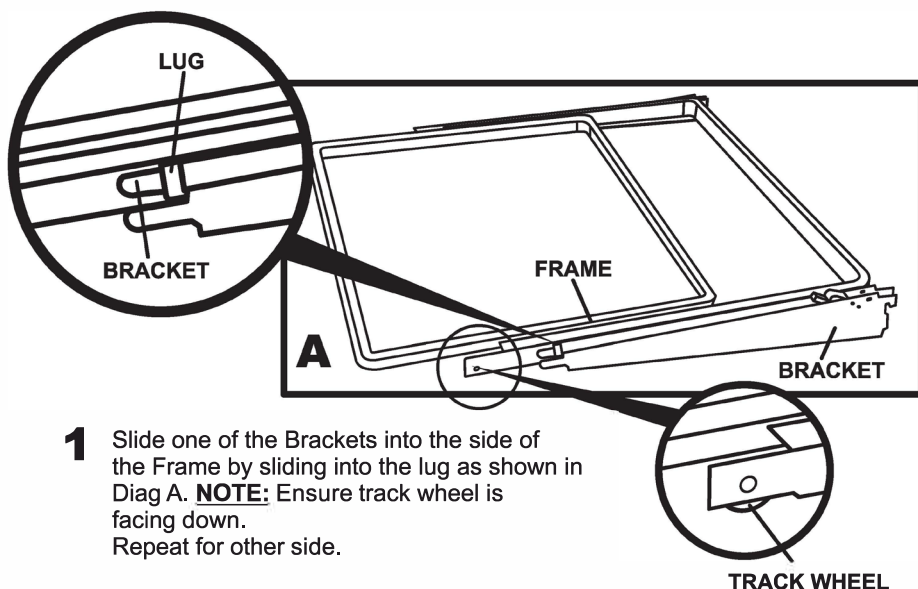


TOOLS REQUIRED:

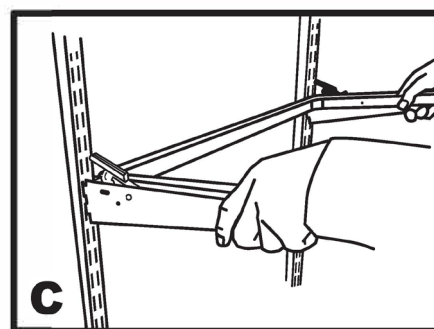


IMPORTANT:

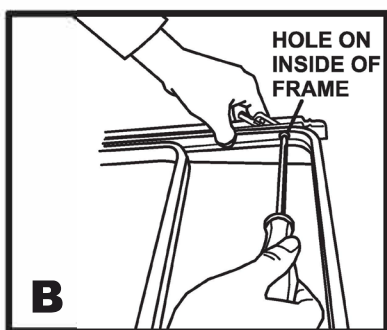
Check that you have all parts as listed.
Read through instructions before commencing assembly.



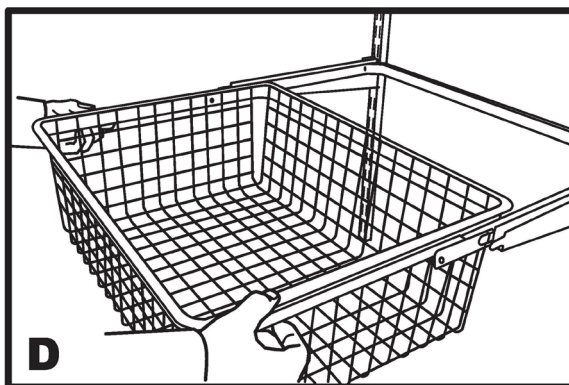
1 Slide one of the Brackets into the side of the Frame by sliding into the lug as shown in Diag A. **NOTE:** Ensure track wheel is facing down. Repeat for other side.



3 Attach assembly to Wallstrips by inserting lugs on Brackets into slots in Wallstrips and press down locking clips in Brackets. (Diag C)



2 Using a Phillips Head screwdriver, fix the rear of the Frame to the Brackets by inserting and securing the self tapping screws. Insert them through the holes on the inside of the Frame and into the Brackets as shown in Diag B.



4 Insert Basket (sold separately) into Frame, and check sliding action. (Diag D)