



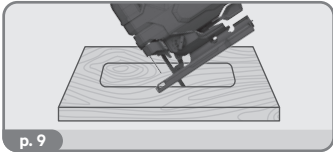
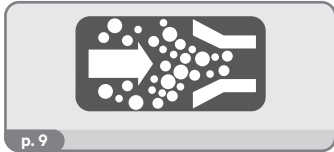
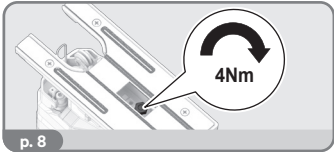
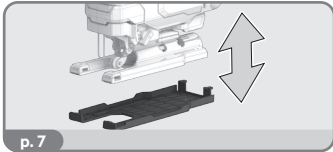
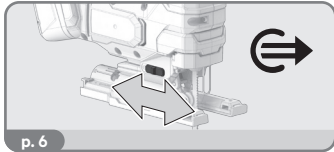
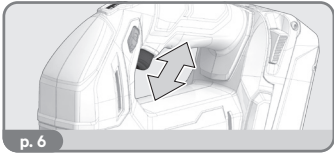
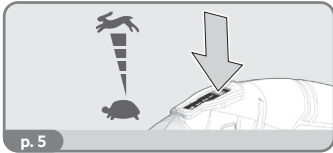
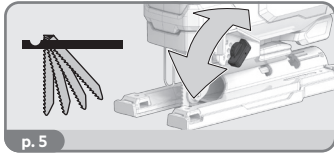
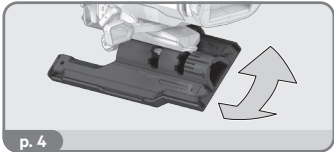
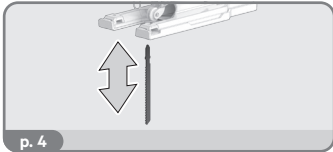
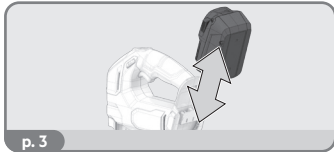
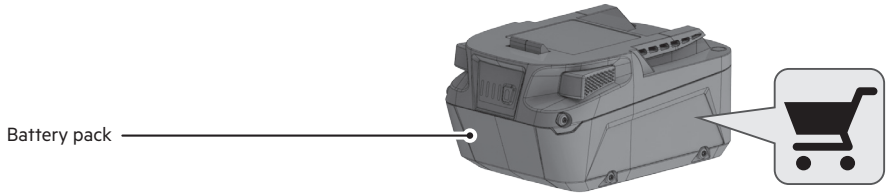
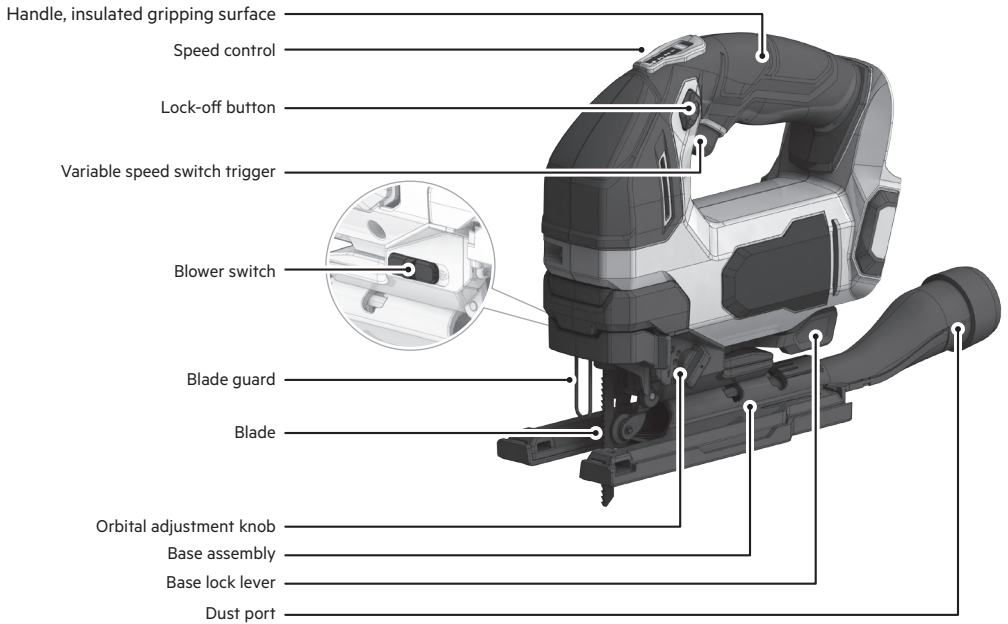
AEG

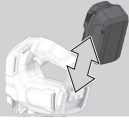


A18JSB

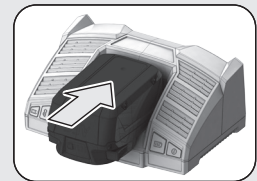
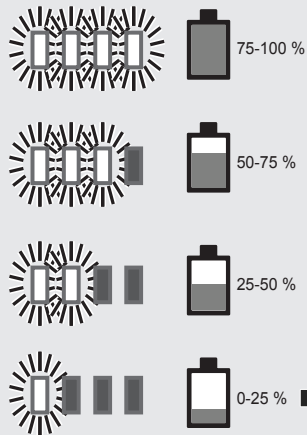
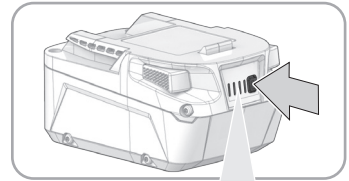
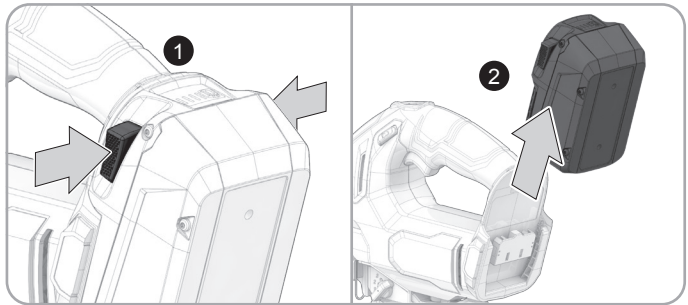
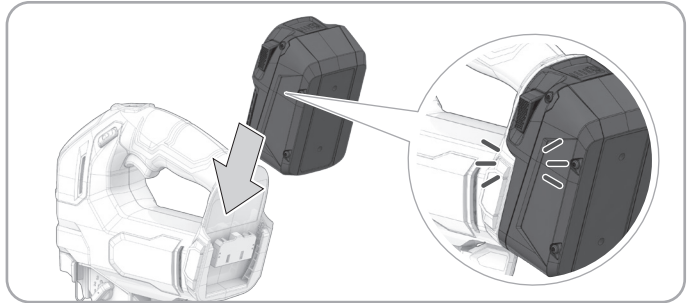
Original instructions

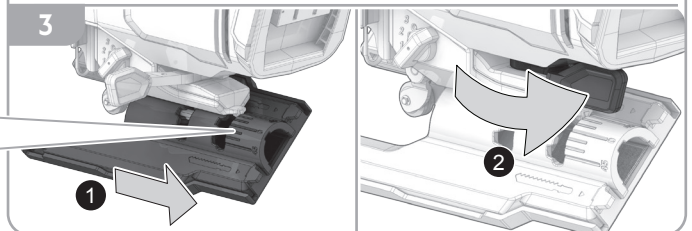
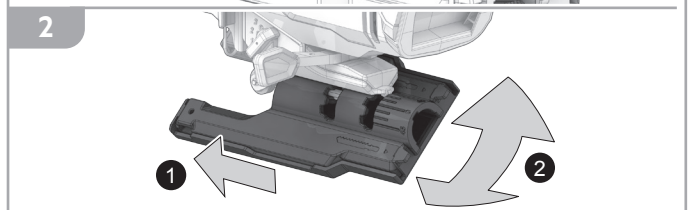
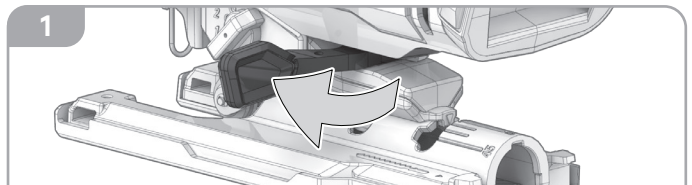
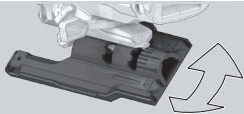
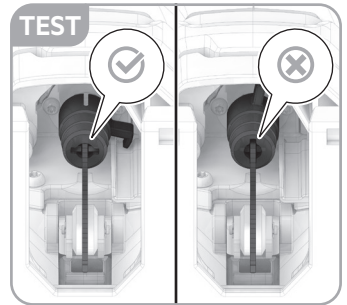
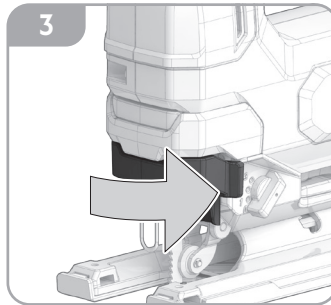
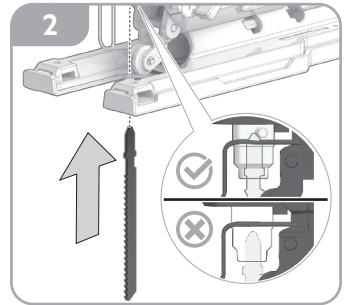
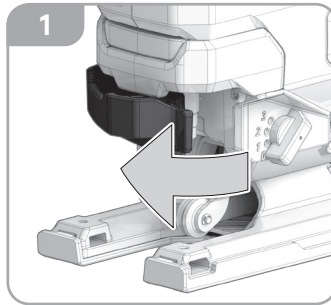
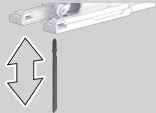


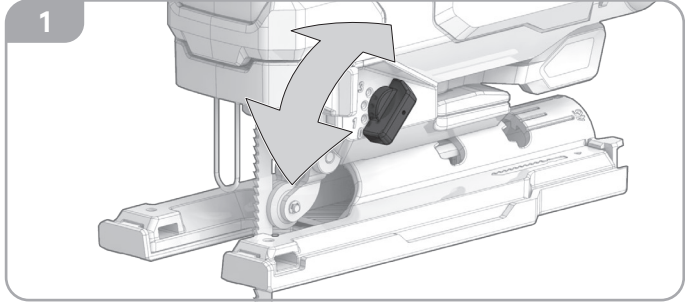
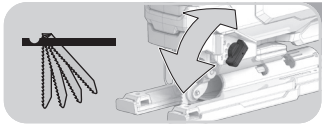




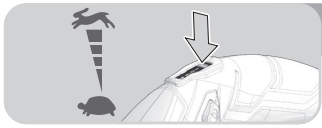
Remove the battery pack before starting any work on the product.





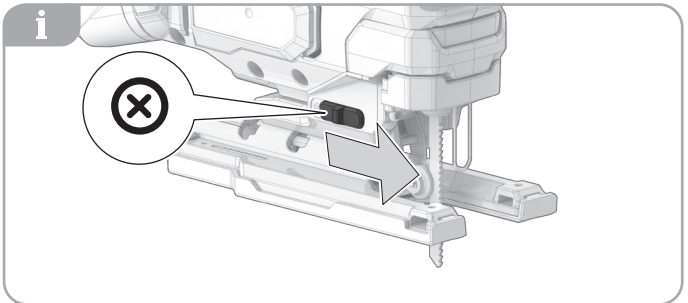
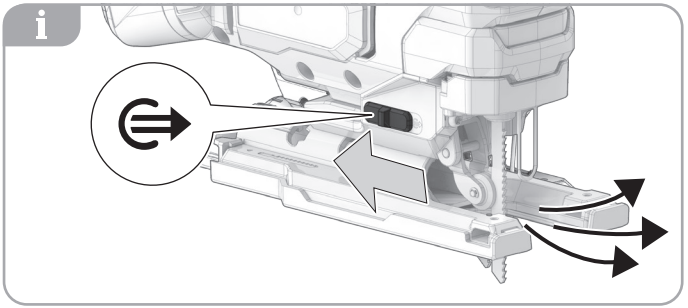
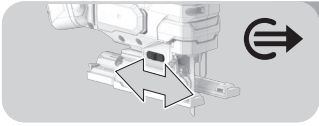
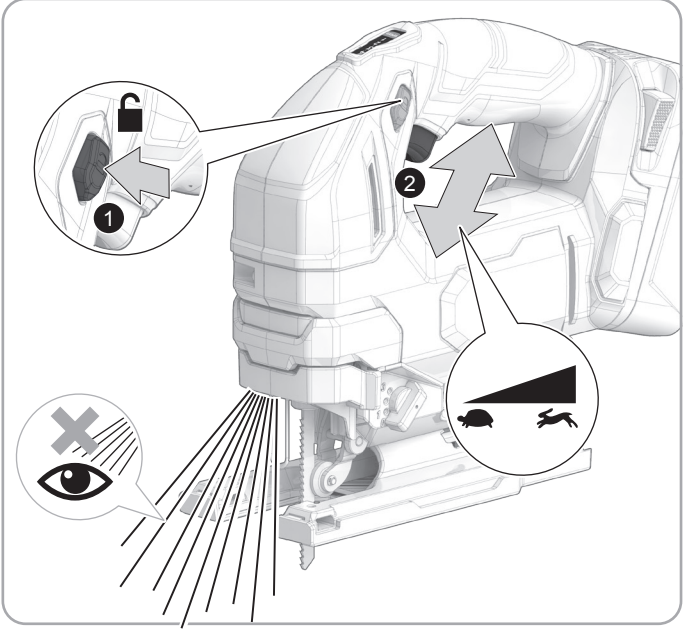
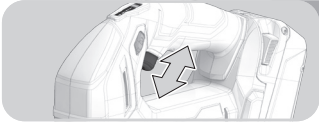


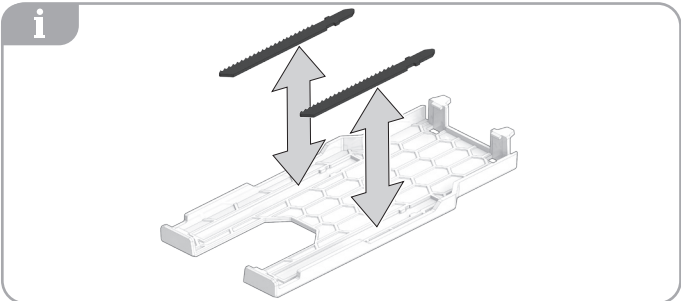
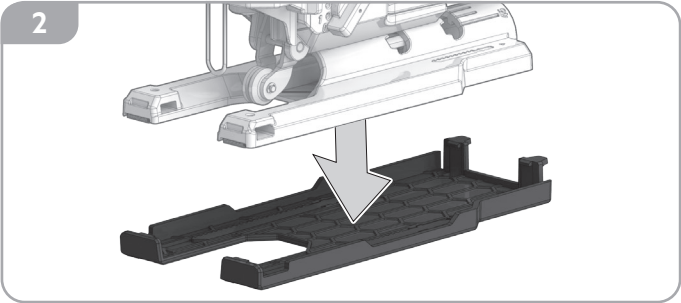
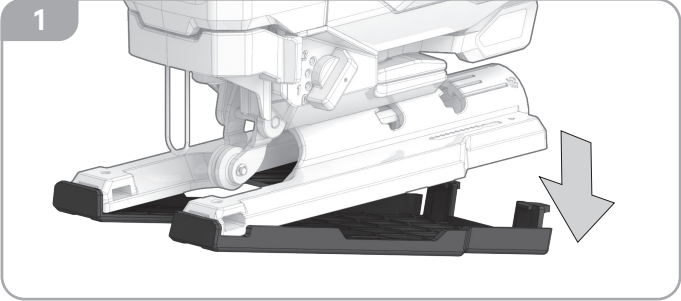
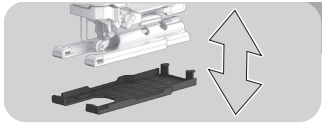
i

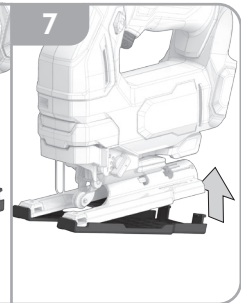
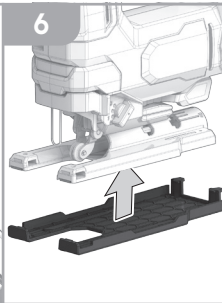
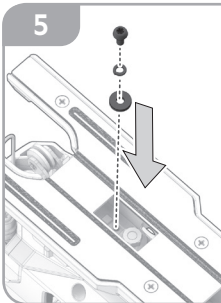
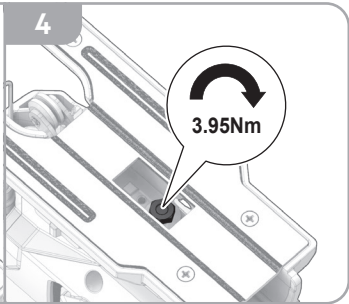
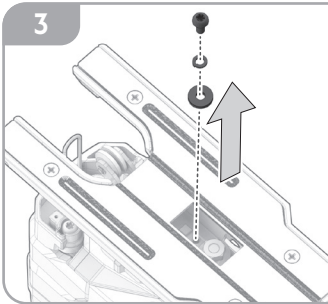
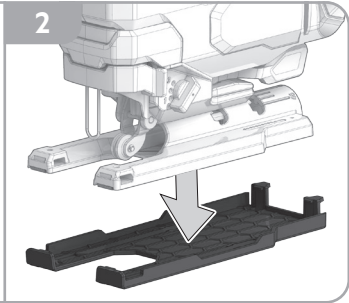
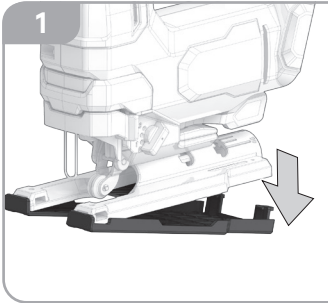


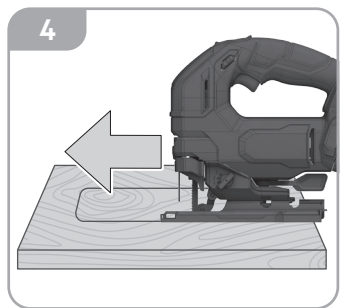
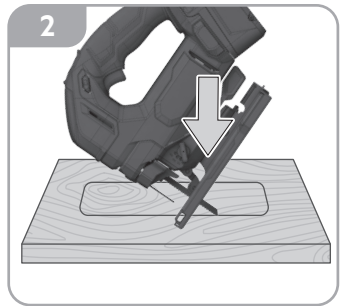
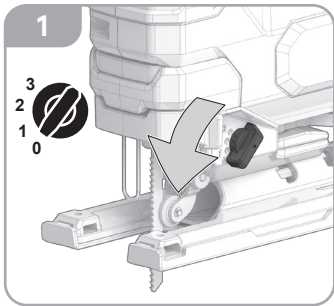
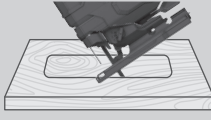
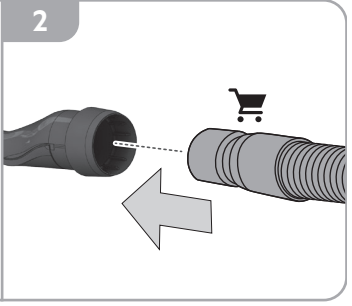
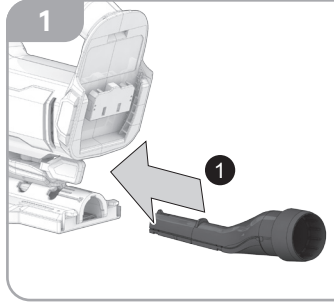
	4 3450 min ⁻¹
	3 2600 min ⁻¹
	2 1700 min ⁻¹
	1 800 min ⁻¹













TECHNICAL DATA	A18JSB
Type	Jigsaw
Battery voltage	18 V ---
Stroke rate under no load	0-3450 min^{-1}
Length of stroke	25.4 mm
Maximum bevel	45°
Maximum cutting depth	
wood	135 mm
metal	10 mm
aluminium	20 mm
Weight without battery pack	2.02 kg
Noise Information	
Measured values determined according to EN 62841. Typically, the A-weighted noise levels of the tool are:	
Sound pressure level / Uncertainty	$L_{pA}=89.9 \text{ dB (A) / } K_{pA}=5 \text{ dB(A)}$
Sound power level / Uncertainty	$L_{WA}=100.9 \text{ dB (A) / } K_{WA}=5 \text{ dB(A)}$
Wear ear protection!	

Vibration Information	
Vibration total values (triaxial vector sum) determined according to EN 62841.	
Vibration emission value / Uncertainty	
Cutting boards	$a_h=10.24 \text{ m/s}^2 / K=1.5 \text{ m/s}^2$
Cutting sheet metal	$a_h=6.767 \text{ m/s}^2 / K=1.5 \text{ m/s}^2$

WARNING!

The declared vibration total values and the declared noise emission values given in this instruction manual have been measured in accordance with a standardised test and may be used to compare one tool with another. They may be used for a preliminary assessment of exposure.

The declared vibration and noise emission values represent the main applications of the tool. However, if the tool is used for different applications, used with different accessories, or poorly maintained, the vibration and noise emission may differ. These conditions may significantly increase the exposure levels over the total working period.

An estimation of the level of exposure to vibration and noise should take into account the times when the tool is turned off or when it is running idle. These conditions may significantly reduce the exposure level over the total working period.

Identify additional safety measures to protect the operator from the effects of vibration and noise, such as maintaining the tool and the accessories, keeping the hands warm (in case of vibration), and organising work patterns.

COMPATIBLE BATTERY PACKS (NOT INCLUDED)

L1820R	A18B4	A18OB6
L1820S	L1840R	L1860R
A18FB2	A18FB4	L1860R-X5
L1825R	L1850R	L1890R
L1830R-X5	A18FB5	

Use AEG 18V battery and charger only

WARNING! Read all safety warnings, instructions, illustrations and specifications provided with this power tool.

Failure to follow all instructions listed below may result in electric shock, fire and/or serious injury.

Save all warnings and instructions for future reference.

JIGSAW SAFETY WARNINGS

Hold the power tool by insulated gripping surfaces, when performing an operation where the cutting accessory may contact hidden wiring. Cutting accessory contacting a "live" wire may make exposed metal parts of the power tool "live" and could give the operator an electric shock.

Use clamps or another practical way to secure and support the workpiece to a stable platform. Holding the workpiece by hand or against your body leaves it unstable and may lead to loss of control.

Use the dust collection device or connect a dust extraction vacuum when operating the product.

ADDITIONAL SAFETY AND WORKING INSTRUCTIONS

Clamp the workpiece with a clamping device. Unclamped workpieces can cause severe injury and damage.

The product will restart automatically if stalled. Turn off the product immediately if it stalls. Do not turn on the product again while it is still stalled, as doing so could trigger a sudden recoil with a high reactive force. Determine why the product stalled and rectify this, paying heed to the safety instructions.

The dust produced when using the product may be harmful to health. Do not inhale the dust. Wear a suitable dust protection mask.

Remove the battery pack before starting any work on the product.

SPECIFIED CONDITIONS OF USE

The jigsaw is intended to cut wood, plastic, drywall, and metal.

The product can cut straight lines, curves, and internal cutouts. The product cuts pipes and can cut flush to a surface.

The product is designed for handheld use.

Do not use the product for any other purpose.

ADDITIONAL BATTERY SAFETY WARNINGS

WARNING! To reduce the risk of fire, personal injury, and product damage due to a short circuit, never immerse your tool, battery pack, or charger in fluid or allow fluid to flow inside them. Corrosive or conductive fluids, such as seawater, certain industrial chemicals, and bleach or bleach containing products, etc., can cause a short circuit.

Do not dispose of used battery packs in the household refuse or by burning them. AEG distributors offer to retrieve old batteries to protect our environment.

Battery packs that have not been used for some time should be recharged before use.

For an optimum lifetime, the battery packs have to be fully charged after use.



For battery pack storage longer than 30 days:

- Store the battery pack where the temperature is below 27°C and away from moisture.
- Store the battery packs in a 30% - 50% charged condition.
- Every six months of storage, charge the pack as normal.

Battery pack protection

The battery pack has overload protection that protects it from being overloaded and helps to ensure long life.

Under extreme stress, the battery electronics turn off the product automatically. To restart, turn the product off and then on again. If the product does not start up again, the battery pack may have discharged completely. Recharge the battery pack.

Transporting lithium batteries

Lithium-ion batteries are subject to the Dangerous Goods Legislation requirements.

Transportation of those batteries has to be done in accordance with local, national, and international provisions and regulations.

- Batteries can be transported by road without further requirement.
- Commercial transport of lithium-ion batteries by third parties is subject to Dangerous Goods regulations. Transport preparation and transport are exclusively to be carried out by appropriately trained persons and the process has to be accompanied by corresponding experts.

When transporting batteries:

- Ensure that the battery contact terminals are protected and insulated to prevent short circuit.
- Ensure that the battery pack is secured against movement within the packaging.
- Do not transport batteries that are cracked or leaking.
- Check with the forwarding company for further advice.

MAINTENANCE

Avoid using solvents when cleaning plastic parts. Most plastics are susceptible to various types of commercial solvents and may be damaged by their use. Use clean cloths to remove dirt, carbon dust, etc.

Use only AEG accessories and spare parts. Should components that have not been described need to be replaced, contact one of our AEG service agents (see our list of guarantee/service addresses).

If needed, an exploded view of the product can be ordered. State the product type and the serial number printed on the label, and order the drawing at your local service agents or directly at:




Techtronic Industries Australia Pty Ltd






PO Box 1065
Mount Waverley VIC 3149
Tel. no. 1300 234 797
Australia

Techtronic Industries N.Z. Limited

PO Box 12-806
Penrose AUCKLAND 1642
Tel. no. 0800 234 797(0800 AEGPWR)
New Zealand



SYMBOLS

	Read the instructions carefully before starting the product.
	CAUTION! WARNING! DANGER!
	Remove the battery pack before starting any work on the product.

	Wear protective gloves.
	Wear ear protectors.
n_0	No-load speed
V	Volts
	Direct current
	Regulatory Compliance Mark (RCM). Product meets applicable regulatory requirements.
	Do not dispose of waste batteries, waste electrical and electronic equipment as unsorted municipal waste. Waste batteries and waste electrical and electronic equipment must be collected separately. Waste batteries, waste accumulators, and light sources have to be removed from the equipment. Check with your local authority or retailer for recycling advice and collection point. According to local regulations, retailers may have an obligation to take back waste batteries and waste electrical and electronic equipment free of charge. Your contribution to the reuse and recycling of waste batteries and waste electrical and electronic equipment helps to reduce the demand of raw materials. Waste batteries, in particular containing lithium, and waste electrical and electronic equipment contain valuable and recyclable materials, which can adversely impact the environment and the human health if not disposed of in an environmentally compatible manner. Delete personal data from waste equipment, if any.



AEG



www.aegpowertools.com.au
www.aegpowertools.co.nz

Techtronic Industries Australia Pty Ltd

31 Gilby Road, Mount Waverley,
VIC, 3149, Australia

Techtronic Industries N.Z. Limited

Unit C, 70 Business Parade South,
Highbrook, Auckland 2013, New Zealand

961043016-02A

*AEG is a registered trade mark used under
license from AB Electrolux (publ).*

