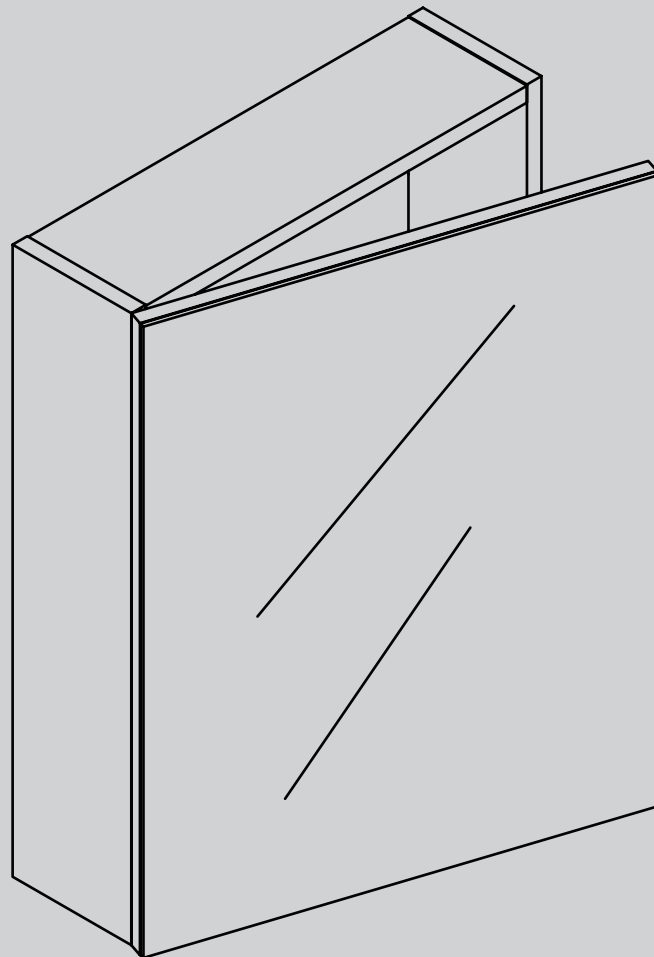


STEIN

STYLO BATHROOM MIRROR CABINETS

INSTRUCTION MANUAL



0424

IMPORTANT!

1. When you receive your Stein Bathroom Mirror Cabinet please check for any freight damage.
2. If damage has occurred advise your supplier within 12 hours.
3. Do not install any faulty product or incorrect model as this will invalidate later claims.

WARRANTY

1. This covers faulty product. Check www.stein.co.nz for full details of warranty.
2. Any breakage on site will not be covered.
3. The installation must conform to these instructions for the warranty to apply.
4. Compliance with NZ Building code clause G4 on ventilation is required in a bathroom.
5. Aftercare details in these instructions must be adhered to.

HEALTH AND SAFETY

- The larger cabinets are heavy and require assistance for installation.
- Special care should be taken when drilling walls to avoid hidden pipes or electrical cables.
- Wear protective gloves and eye protection.

GENERAL

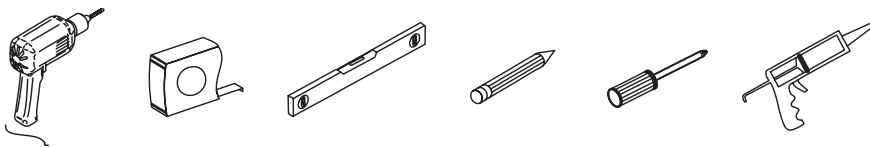
1. The cabinet is set up with mounting points as following drawings. (Refer to Page 3 Fitting Steps).
2. Avoid any distortion to the cabinet due to the wall not being flat or out of plumb.
3. Solid fastening is required to the wall for safety and strength.

PARTS SUPPLIED

(In Cabinet) Hex Screws -Wall Plugs – Key-Hole Fastening Plate – Cover

TOOLS REQUIRED

Drill, Tape, Spirit level, Pencil, Screwdriver, Silicone sealer, Cleaning materials

**IMPORTANT: INSTALATION NOTES**

1. Bathroom mirror cabinets have a water-resistant surface but are not waterproof. Exposure to moisture will greatly reduce the life of the cabinet.
 - Ensure the bathroom complies with NZ Building code clause G4 on ventilation.
 - Seal any joins that are susceptible to moisture ingress with a fine bead of bathroom silicone.
2. All tiling must be completed prior Vanity installation. The warranty does not include restoration of tiling, wall finishes, or recessed wall insallations.
3. Avoid distorting the cabinet if the wall is not flat. This will cause the doors to be misaligned.

MAINTENANCE & AFTERCARE OBLIGATIONS

CLEANING: Weekly cleaning is required with a damp microfibre cloth to all surfaces and dried off immediately with a towel.

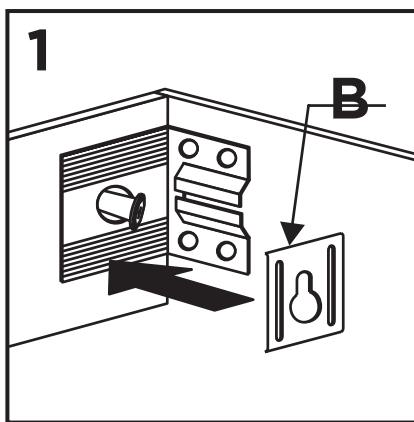
MIRROR CARE: The mirrors are not sealed around the edge to give air flow at back. Avoid flooding a mirror with water or a trusted glass cleaner as this can be sucked up the back and potentially damage the silvered backing.

WARRANTY WILL BE VOID IF THE INSTALLATION NOTES ARE NOT COMPLIED WITH.

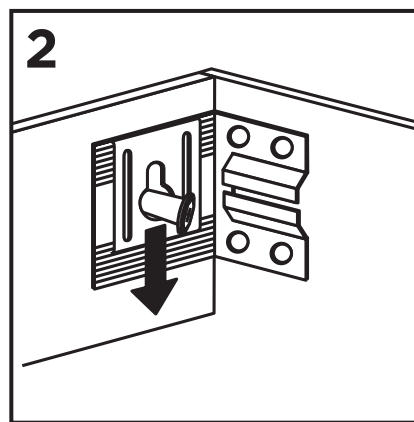
FITTING STEPS

- Fastening points are provided at top of cabinet for solid fixing in the wall. There is small adjustment offered within the mounting plates to level up (check diagram).
- Outside of solid fixing at mounting points it is your responsibility to ensure this cabinet can be fastened, secure and safe.
 - Locate where framing is behind the cabinet with a stud finder and mark.
 - Glue a packer sheet behind the backing board of cabinet if also fastening through this.
 - With the cabinet fastened at top mountings (with wall plugs) add sufficient screws to framing
Note: Behind shelves if possible.
- The cabinets are water resistant but not water proof. Any joints susceptible to moisture must be sealed with silicone.

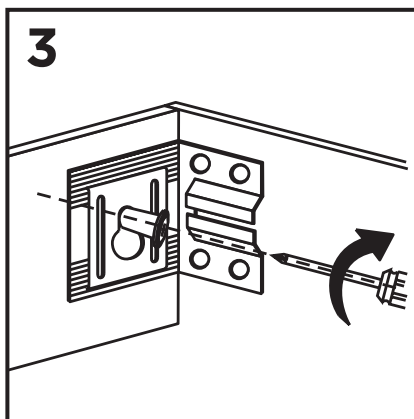
ADJUSTABLE FASTENING



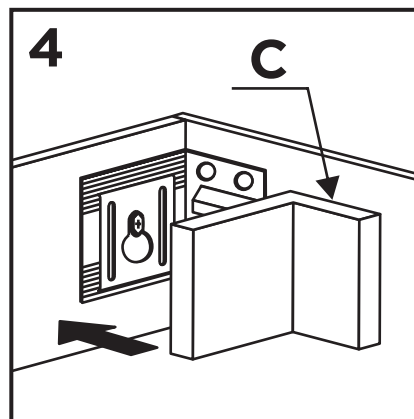
Start screw into wall.



Add fastening plate.



Screw tight and adjust to level.



Add cover capping.

CONTACT

54 Unutoto Place, Tauriko, Tauranga, 3171

Freephone: 0800 002 299

Phone: 07 928 9990

Email: info@stein.co.nz

stein.nz