

18V LITHIUM ION

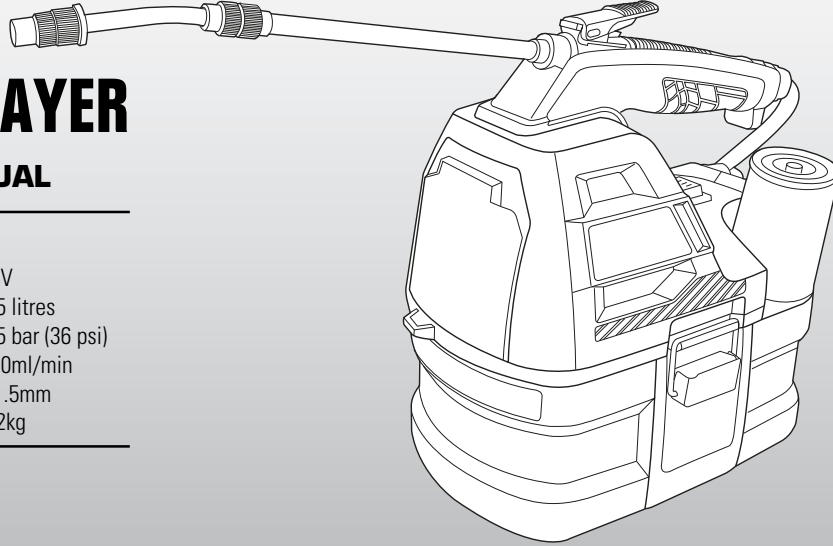
# CORDLESS GARDEN SPRAYER

## INSTRUCTION MANUAL

### SPECIFICATIONS

Voltage:	18V
Tank Volume:	3.5 litres
Delivery Pressure Max.:	2.5 bar (36 psi)
Flow Rate:	500ml/min
Nozzle:	Ø1.5mm
Weight:	1.2kg

[ozito.com.au](http://ozito.com.au)



### STANDARD EQUIPMENT



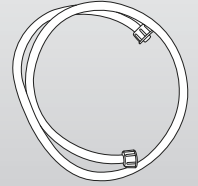
Cordless Garden Sprayer



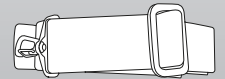
Spray Wand



Spray Wand Handle



Hose



Shoulder Strap

**5 YEAR**  
REPLACEMENT WARRANTY

**PXCWSS-018**

## WARRANTY

IN ORDER TO MAKE A CLAIM UNDER THIS WARRANTY YOU MUST RETURN THE PRODUCT TO YOUR NEAREST BUNNINGS WAREHOUSE WITH YOUR BUNNINGS REGISTER RECEIPT. PRIOR TO RETURNING YOUR PRODUCT FOR WARRANTY PLEASE TELEPHONE OUR CUSTOMER SERVICE HELPLINE:

**Australia 1800 069 486**

**New Zealand 0508 069 486**

TO ENSURE A SPEEDY RESPONSE PLEASE HAVE THE MODEL NUMBER AND DATE OF PURCHASE AVAILABLE. A CUSTOMER SERVICE REPRESENTATIVE WILL TAKE YOUR CALL AND ANSWER ANY QUESTIONS YOU MAY HAVE RELATING TO THE WARRANTY POLICY OR PROCEDURE.

### WARNING

The following actions will result in the warranty being void.

- If the tool has been operated on a supply voltage other than that specified on the tool.
- If the tool shows signs of damage or defects caused by or resulting from abuse, accidents or alterations.
- Failure to perform maintenance as set out within the instruction manual.
- If the tool is disassembled or tampered with in any way
- Professional, industrial or high frequency use..

The benefits provided under this warranty are in addition to other rights and remedies which are available to you at law.

Our goods come with guarantees that cannot be excluded at law. You are entitled to a replacement or refund for a major failure and for compensation for any other reasonably foreseeable loss or damage. You are also entitled to have the goods repaired or replaced if the goods fail to be of acceptable quality and the failure does not amount to a major failure.

Generally you will be responsible for all costs associated with a claim under this warranty, however, where you have suffered any additional direct loss as a result of a defective product you may be able to claim such expenses by contacting our customer service helpline above.

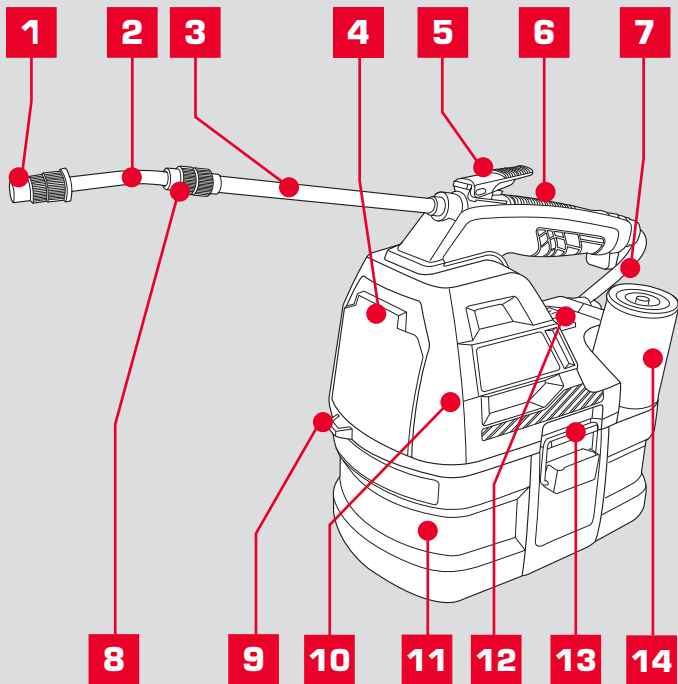
### 5 YEAR REPLACEMENT WARRANTY

Your Product is guaranteed for a period of 60 months from the original date of purchase and is intended for DIY (Do It Yourself) use only. If a product is defective it will be replaced in accordance with the terms of this warranty. **Lithium Ion batteries and chargers are covered by a 36 month warranty.** Warranty excludes consumable parts, for example: shoulder strap .

# KNOW YOUR PRODUCT

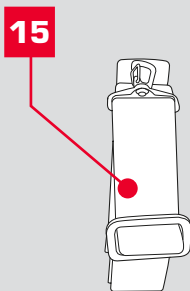
## CORDLESS GARDEN SPRAYER

- |                            |                         |
|----------------------------|-------------------------|
| 1. Adjustable Nozzle       | 8. Extension Nut        |
| 2. Telescopic Extension    | 9. Strap Mounting Point |
| 3. Spray Wand              | 10. Motor Housing       |
| 4. Battery Port            | 11. Tank                |
| 5. On Demand Spray Trigger | 12. On/Off Switch       |
| 6. Spray Wand Handle       | 13. Latch               |
| 7. Hose                    | 14. Measuring Cup       |



## ACCESSORIES

15. Shoulder Strap



## BATTERY & CHARGER

This tool is compatible with all battery and chargers from the Ozito Power X Change Range.

## ONLINE MANUAL

Scan this QR Code with your mobile device to take you to the online manual.



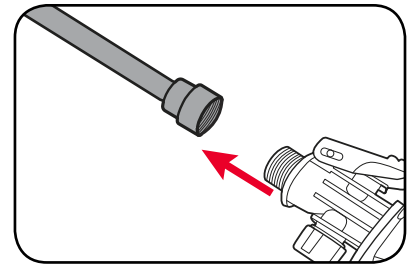
# SETUP & PREPARATION

## 1. ASSEMBLY

**WARNING!** ENSURE THE TOOL IS SWITCHED OFF AND BATTERY IS DISCONNECTED BEFORE PERFORMING ANY OF THE FOLLOWING TASKS.

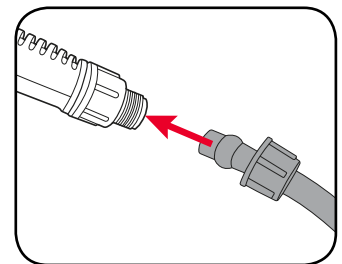
### Spray Wand

1. Attach spray wand together with spray wand handle.

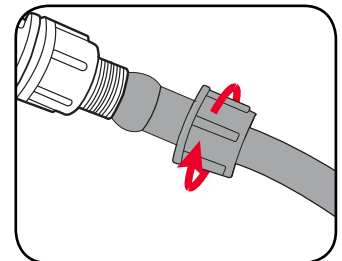


### Hose

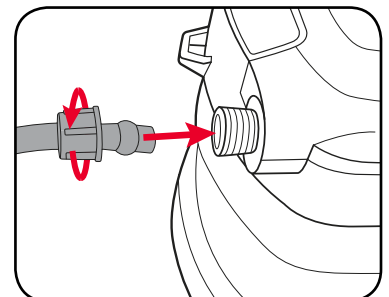
1. Push one end of the hose fully into the spray wand handle.



2. Connect the nut by rotating clockwise.



3. Connect the opposite end of hose to the garden sprayer.



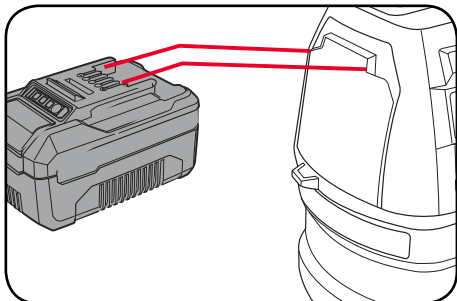
**Note:** Check the hose and spray wand are connected securely. Check for any leaks, if any leaks are found, stop using the sprayer and fix the leak before continuing use.

**5 YEAR**  
REPLACEMENT WARRANTY

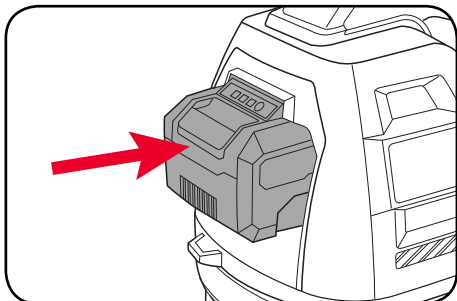
## 2. INSERTING & REMOVING THE BATTERY

### Installing a Battery Pack

1. Align the ribs of the battery with the recess in the sprayer.

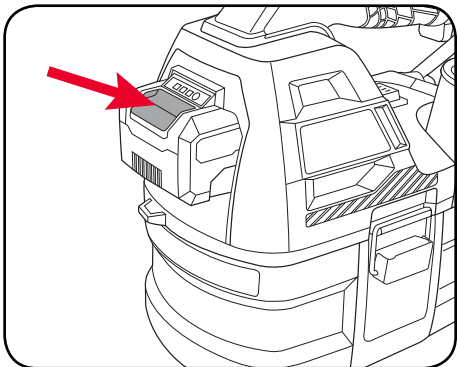


2. Slide the battery in so that it clicks into place.

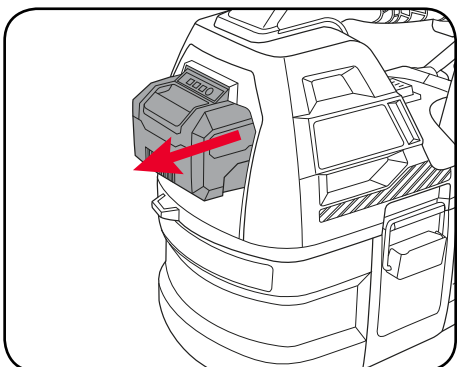


### Removing a Battery from the Sprayer

1. Press and hold the battery release tab to release the battery.



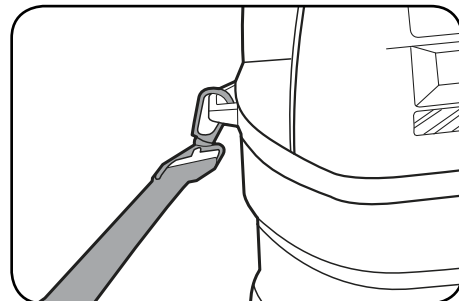
2. Slide the battery out.



## 3. PREPARATION

### Shoulder Strap

1. Clip the ends of the shoulder strap to the mounting points on both ends of the sprayer motor housing.

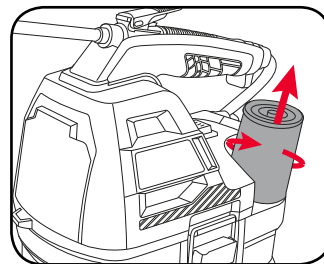


**Note:** To use the shoulder strap simply slide the strap over your shoulder so that some of the weight of the sprayer can be taken by your shoulder.

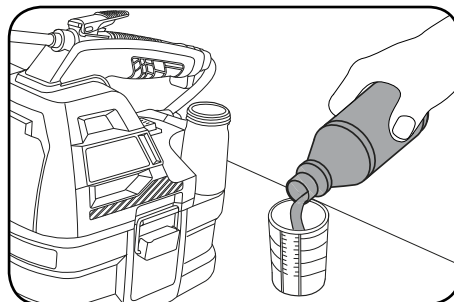
### Mixture

**WARNING!** THE PRODUCT IS DESIGNED FOR SPRAYING CONSUMER-GRADE HOME AND GARDEN CHEMICALS SUCH AS WEED KILLERS, FUNGICIDES, INSECTICIDES, AND FERTILIZERS.

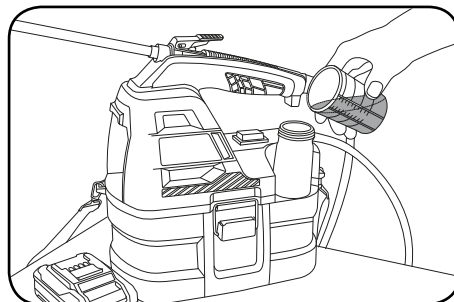
1. Remove the battery prior to adding liquid to the tank.
2. Remove the measuring cup by rotating anti-clockwise.



3. Use your measuring cup for your concentrate.



4. Carefully pour in liquid and concentrate then refit the cup, making sure it is tightened securely.



**Note:** The tank is marked for measuring up to 3.5 litres of liquid plus room for adding additional 120ml of concentrate that may be measured and poured from the cap.

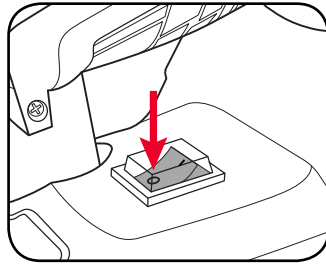
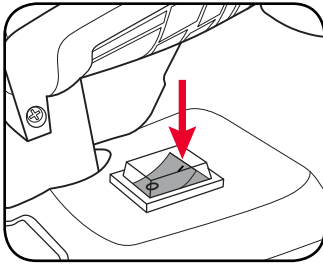
# OPERATION

## 4. CONTROLS & OPERATION

**! WARNING!** THE PRODUCT IS INTENDED FOR OUTDOOR USE IN A WELL-VENTILATED AREA.

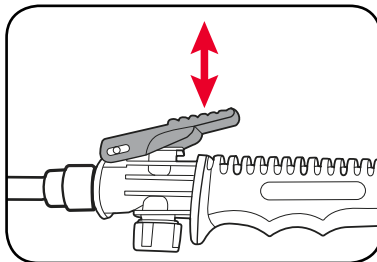
### Switching On and Off

1. To switch the sprayer ON, move the On/Off switch to position "I" (On).
2. To switch the sprayer OFF, move the On/Off switch to position "O" (Off).



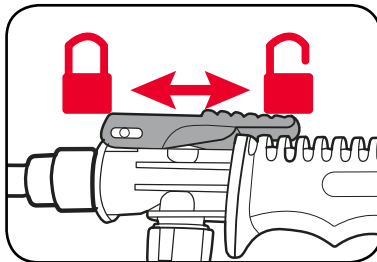
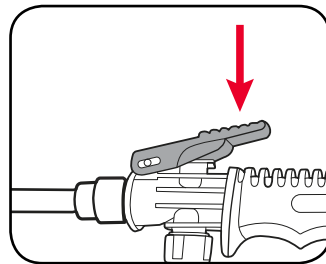
### On Demand Spray Trigger

1. Press and hold trigger down to begin spraying.
2. Release trigger to stop flow.



The spray trigger can be locked in the ON position for continuous operation.

1. Press trigger to begin spraying.
2. Slide trigger forward to lock down. Slide back to unlock for normal operation.

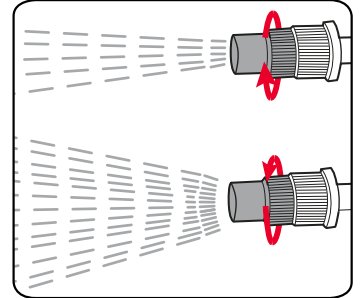


**! WARNING!** IF THE SPRAYER DOES NOT SWITCH ON OR SHOWS SIGNS OF DAMAGE, TAKE IT TO A AUTHORISED SERVICE AGENT. NEVER ATTEMPT TO OPEN/REPAIR THE TOOL YOURSELF.

### Adjustable Spray Pattern

The shape of the spray can be adjusted from spot spraying to a wide angle for a bigger area coverage. Rotate the adjustable nozzle to best suit your application.

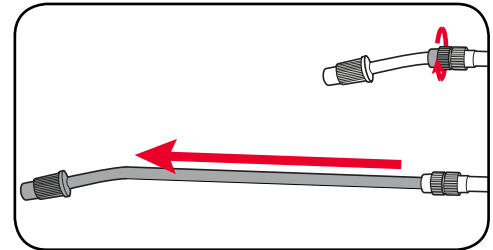
**Stream** - Loosen the nozzle.



**Fan** - Tighten the nozzle

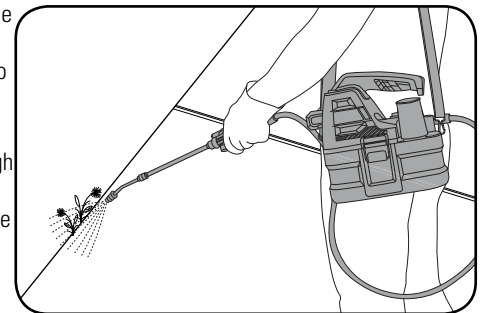
### Telescopic Extension Adjustment

1. Loosen extension nut.
2. Pull the telescopic extension to the desired length.
3. Retighten the extension nut.



### Spraying

- Always wear eye protection. Use personal protective equipment such as dust mask, non-slip safety footwear and liquid resistant anti-slip gloves.
  - The garden sprayer may be operated with the handle resting in the handle storage area or you may remove and hold the handle as shown.
  - Aim the sprayer nozzle directly at the plants or objects you wish to spray.
  - Be a wear of splash back, stand far enough from the object being sprayed to prevent the spray splashing back onto you.
- Note:** Be aware of other people and animals in the area where you are to be operating the garden sprayer, spray downwind.
- Never point the spray end of the wand at yourself or others.
  - Avoid spraying on windy days. Spray can be accidentally blown onto plants or objects that should not be sprayed.
  - Always empty, clean, and drain the tank after every use as directed in the Maintenance section.



**! WARNING!** NEVER SET THE UNIT ON THE GROUND DURING USE. AVOID THE SPRAYER AND BATTERY FROM GETTING WET AT ALL TIMES. DO NOT SPRAY NEAR OR DIRECTLY AT THE UNIT.

**! WARNING!** IF THE UNIT AND OR BATTERY GETS WET, STOP USING THE PRODUCT. WAIT UNTIL THE PRODUCT IS COMPLETELY DRY BEFORE CONTINUING USE.

# MAINTENANCE



**WARNING!** ALWAYS ENSURE THE TOOL IS SWITCHED OFF AND THE BATTERY IS REMOVED PRIOR TO ANY MAINTENANCE.



**WARNING!** ALWAYS STORE AND DISPOSE OF CHEMICALS PROPERLY. DISPOSAL OF CONTAMINATED RINSE WATER SHOULD BE PERFORMED ACCORDING TO LOCAL ORDINANCES AND BYLAWS.

## Cleaning the Tank

If there is any liquid left in the tank after spraying, the tank should be drained before cleaning.

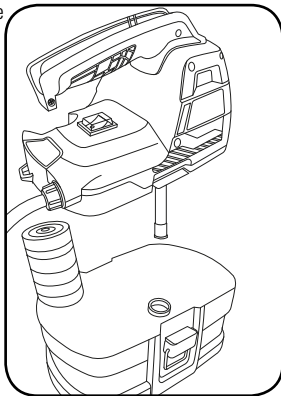
1. Remove the motor housing from the tank by lifting up and releasing the latches on each end of the unit.
2. Drain the contents through the fill area.

**Note:** Drain the contents back into the original container. Do not store chemicals in the tank.

3. Fill tank approximately one-third full with clean water and a small amount of mild household detergent.

**Note:** Never use abrasive cleaning agents or flammable chemicals to clean the tank.

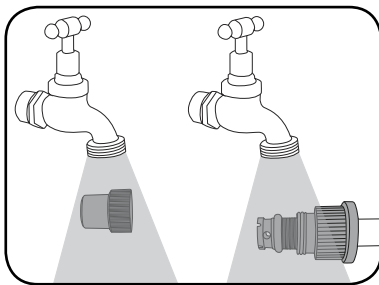
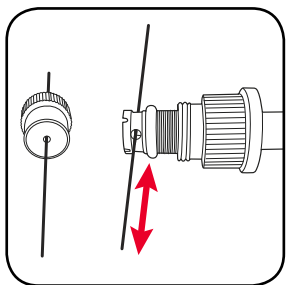
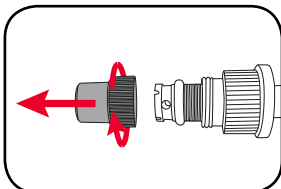
4. Wipe the outside of the tank with a clean, dry cloth.
5. Reattach the motor housing to the tank and ensure the latches are closed.
6. Fit a battery pack. Spray until the tank has been emptied. Make sure to direct the spray toward an area that will not be damaged by the spray solution.
7. Repeat the procedure with clean water. It may be necessary to rinse the tank more than once, then drain again as directed above.
8. Allow the unit to completely dry before reinstalling parts and storing the unit.



## Cleaning the Nozzle

If the adjustable nozzle becomes clogged, use the following steps to clear the blockage.

1. Unscrew the nozzle fully from the spray wand.
2. Push a small wire (not included) through the cross holes to clear any debris. Rinse the cross holes and nozzle with clean water.



3. Wipe the nozzle and cross holes with a clean dry cloth and reinstall the nozzle.

Note: Ozito Industries will not be responsible for any damage or injuries caused by the repair of the garden sprayer by an unauthorised person or by mishandling of the garden sprayer. This tool is designed for DIY use - use in commercial or industrial environments will void the warranty.

# TROUBLESHOOTING

Problem	Cause	Remedy
Sprayer is not starting	Battery is low in charge.	Charge battery
	Battery not inserted properly.	Insert battery pack correctly.
Sprayer is not operating at full capacity	Nozzle blocked.	Clean nozzle. Refer to "Cleaning the Nozzle" in the Maintenance section of this manual
Motor stops while spraying	Battery has no power.	Charge battery.

# SPARE PARTS

Spare parts can be ordered from the Special Orders Desk at your local Bunnings Warehouse.

For further information, or any parts not listed here, visit

[www.ozito.com.au](http://www.ozito.com.au) or contact Ozito Customer Service:

Australia 1800 069 486

New Zealand 0508 069 486

E-mail: [enquiries@ozito.com.au](mailto:enquiries@ozito.com.au)

# DESCRIPTION OF SYMBOLS

<b>V</b>	Volts	<b>Hz</b>	Hertz
<b>~</b>	Alternating current	<b>W</b>	Watts
<b>dc/---</b>	Direct current	<b>∅</b>	Diameter
<b>mA</b>	Milliamperes	<b>n<sub>o</sub></b>	No load speed
<b>/min</b>	Revolutions or reciprocation per minute		Double insulated
	Read instruction manual		Warning
	Regulator compliance mark		Wear eye protection.
	Wear a breathing mask		Wear protective gloves.
	Wear safety footwear		
	Do not use in the rain or leave the weed sprayer outdoors while raining.		

# CARING FOR THE ENVIRONMENT



Power tools that are no longer usable should not be disposed of with household waste but in an environmentally friendly way. Please recycle where facilities exist. Check with your local council authority for recycling advice.



Recycling packaging reduces the need for landfill and raw materials. Reuse of recycled material decreases pollution in the environment. Please recycle packaging where facilities exist. Check with your local council authority for recycling advice.



# ELECTRICAL SAFETY



**WARNING!** When using mains-powered tools, basic safety precautions, including the following, should always be followed to reduce risk of fire, electric shock, personal injury and material damage.

Read the whole manual carefully and make sure you know how to switch the tool off in an emergency, before operating the tool. Save these instructions and other documents supplied with this tool for future reference.

The charger has been designed for 230V and 240V only. Always check that the power supply corresponds to the voltage on the rating plate.

Note: The supply of 230V and 240V on Ozito tools are interchangeable for Australia and New Zealand.



This tool's charger is double insulated and therefore no earth wire is required.

If the supply cord is damaged, it must be replaced by an electrician or a power tool repairer in order to avoid a hazard.

**Note:** Double insulation does not take the place of normal safety precautions when operating this tool. The insulation system is for added protection against injury resulting from a possible electrical insulation failure within the tool.

The power supply for this product's charger should be protected by a residual current device (rated at 30mA or less). A residual current device reduces the risk of electric shock.



# GENERAL POWER TOOL SAFETY WARNINGS



**WARNING!** Read all safety warnings and all instructions. Failure to follow the warnings and instructions may result in electric shock, fire and/or serious injury.

**Save all warnings and instructions for future reference. The term "power tool" in the warnings refers to your mains-operated (corded) power tool or battery-operated (cordless) power tool.**

## 1. Work area safety

- a. **Keep work area clean and well lit.** Cluttered or dark areas invite accidents.
- b. **Do not operate power tools in explosive atmospheres, such as in the presence of flammable liquids, gases or dust.** Power tools create sparks which may ignite the dust or fumes.
- c. **Keep children and bystanders away while operating a power tool.** Distractions can cause you to lose control.

## 2. Electrical safety

- a. **Power tool plugs must match the outlet. Never modify the plug in any way. Do not use any adapter plugs with earthed (grounded) power tools.** Unmodified plugs and matching outlets will reduce risk of electric shock.
- b. **Avoid body contact with earthed or grounded surfaces, such as pipes, radiators, ranges and refrigerators.** There is an increased risk of electric shock if your body is earthed or grounded.
- c. **Do not expose power tools to rain or wet conditions.** Water entering a power tool will increase the risk of electric shock.
- d. **Do not abuse the cord. Never use the cord for carrying, pulling or unplugging the power tool. Keep cord away from heat, oil, sharp edges or moving parts.** Damaged or entangled cords increase the risk of electric shock.
- e. **When operating a power tool outdoors, use an extension cord suitable for outdoor use.** Use of a cord suitable for outdoor use reduces the risk of electric shock.
- f. **If operating a power tool in a damp location is unavoidable, use a residual current device (RCD) protected supply.** Use of an RCD reduces the risk of electric shock.

## 3. Personal safety

- a. **Stay alert, watch what you are doing and use common sense when operating a power tool. Do not use a power tool while you are tired or under the influence of drugs, alcohol or medication.** A moment of inattention while operating power tools may result in serious personal injury.
- b. **Use personal protective equipment. Always wear eye protection.** Protective equipment such as dust mask, non-skid safety shoes, hard hat, or hearing protection used for appropriate conditions will reduce personal injuries.
- c. **Prevent unintentional starting. Ensure the switch is in the off-position before connecting to power source and/or battery pack, picking up or carrying the tool.** Carrying power tools with your finger on the switch or energising power tools that have the switch on invites accidents.
- d. **Remove any adjusting key or wrench before turning the power tool on.** A wrench or a key left attached to a rotating part of the power tool may result in personal injury.
- e. **Do not overreach. Keep proper footing and balance at all times.** This enables better control of the power tool in unexpected situations.

- f. **Dress properly. Do not wear loose clothing or jewellery. Keep your hair, clothing and gloves away from moving parts.** Loose clothes, jewellery or long hair can be caught in moving parts.

- g. **If devices are provided for the connection of dust extraction and collection facilities, ensure these are connected and properly used.** Use of dust collection can reduce dust-related hazards.

## 4. Power tool use and care

- a. **Do not force the power tool. Use the correct power tool for your application.** The correct power tool will do the job better and safer at the rate for which it was designed.
- b. **Do not use the power tool if the switch does not turn it on and off.** Any power tool that cannot be controlled with the switch is dangerous and must be repaired.
- c. **Disconnect the plug from the power source and/or the battery pack from the power tool before making any adjustments, changing accessories, or storing power tools.** Such preventive safety measures reduce the risk of starting the power tool accidentally.
- d. **Store idle power tools out of the reach of children and do not allow persons unfamiliar with the power tool or these instructions to operate the power tool.** Power tools are dangerous in the hands of untrained users.
- e. **Maintain power tools. Check for misalignment or binding of moving parts, breakage of parts and any other condition that may affect the power tool's operation. If damaged, have the power tool repaired before use.** Many accidents are caused by poorly maintained power tools.
- f. **Keep cutting tools sharp and clean.** Properly maintained cutting tools with sharp cutting edges are less likely to bind and are easier to control.
- g. **Use the power tool, accessories and tool bits etc. in accordance with these instructions, taking into account the working conditions and the work to be performed.** Use of the power tool for operations different from those intended could result in a hazardous situation.

## 5. Battery tool use and care

- a. **Recharge only with the charger specified by the manufacturer.** A charger that is suitable for one type of battery pack may create a risk of fire when used with another battery pack.
- b. **Use power tools only with specifically designated battery packs.** Use of any other battery packs may create a risk of injury and fire.
- c. **When battery pack is not in use, keep it away from other metal objects, like paper clips, coins, keys, nails, screws or other small metal objects, that can make a connection from one terminal to another.** Shorting the battery terminals together may cause burns or a fire.
- d. **Under abusive conditions, liquid may be ejected from the battery; avoid contact. If contact accidentally occurs, flush with water. If liquid contacts eyes, additionally seek medical help.** Liquid ejected from the battery may cause irritation or burns.

## 6. Service

- a. **Have your power tool serviced by a qualified repair person using only identical replacement parts.** This will ensure that the safety of the power tool is maintained.



# WEED SPRAYER SAFETY WARNINGS

- Never allow children with reduced physical, sensory or mental capabilities or lack of experience and knowledge or people unfamiliar with these instructions to use the product.
- Do not spray flammable liquids, such as petrol, to reduce the risk of fire or explosion.
- Always follow the chemical manufacturer's instructions printed on their product labeling for use, cleaning, and storage. Chemicals should be stored out of the reach of children.
- Do not spray any material where the hazard is not known.
- Do not spray where spark, flame, or other source of ignition is present.
- Do not spray in the direction of people or animals. Always spray downwind.
- Do not smoke, eat, or drink while using the product.
- Do not discharge directly against skin.
- Do not let the spray materials come in contact with skin. If contact does occur, wash immediately with soap and plenty of water.
- To reduce exposure to spray materials, wear approved safety equipment, such as face mask designed for spraying, gloves, and other appropriate protective equipment.
- Do not use flammable solvents or abrasive cleaning agents to clean the product.
- Be aware of any hazards presented by the spray materials. Before using any pesticide or other spray materials with the product, carefully read the label on the original container and follow the instructions.
- Keep the area clear of all bystanders, children, and pets while spraying.
- Remember to properly replace and tighten the spray tank cover after pouring liquid into the spray tank.
- Use only consumer-grade water-based lawn and garden chemicals.
- Do not use commercial-grade chemicals or chemicals for commercial or industrial purposes.
- Do not use caustic (alkali) self-heating or corrosive (acid) liquids with the product. These can corrode metal parts or weaken the tank and hose.
- Do not leave residue or spray material in the spray tank after using the product. Clean after each use.
- Electric shock hazard. Do not spray towards electrical outlets.
- Aim the nozzle directly at the plants or objects you intend to spray.
- Do not pour hot or boiling liquids into the spray tank. These can weaken or damage the hose or spray tank.
- Do not overfill the tank.
- Always check for leaks. If any are found, correct them before using the product.
- The spray area must be well ventilated.
- Always inspect both the inside and outside of the product before each use.
- Liquids to be sprayed must be as thin as water. Thicker liquids will not spray properly.
- Spray materials may be premixed and poured into the spray tank using a funnel, if necessary.
- When using a measuring container other than the measuring cup, or when using a funnel to fill the tank, thoroughly clean and rinse these items after use. When premixing spray materials, rinse the container used for mixing.
- Ensure that the spray materials are directed at an area that will not be damaged by the spray materials.
- Do not spray material onto the unit.
- Avoid spraying on windy days. The spray materials can be accidentally blown onto plants or objects that should not be sprayed.
- Keep spray materials away from eyes. If spray materials come in contact with the eyes, wash them immediately with clean water. If irritation is still present, immediately seek medical help.
- The product may be operated with the spray wand handle resting in the cradle, or may be removed from the cradle and be held by the operator.
- After every use, thoroughly wash your hands and any area where skin has been exposed to the spray.
- Maintain the product. Thoroughly inspect both the inside and outside of the product and examine the components before each use. Check for cracked and deteriorated hoses, leaks, clogged nozzles, and missing or damaged parts. If damaged, have the product repaired before use. Many accidents are caused by poorly maintained products.
- Remove the battery from the product before draining, cleaning, or storing to avoid accidental starting.