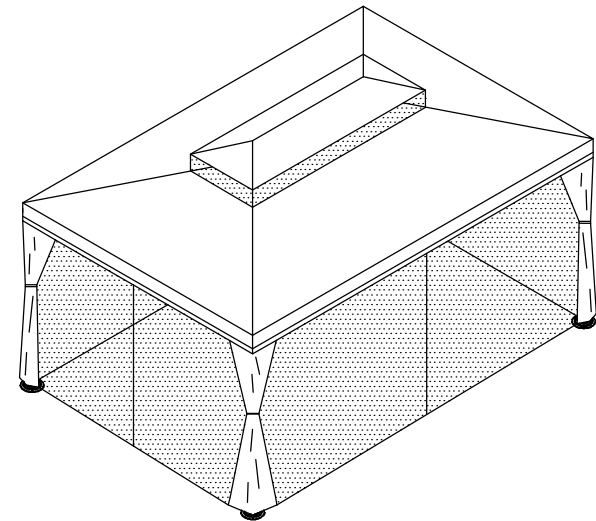







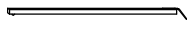
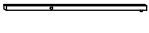


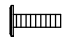



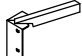

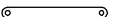
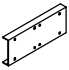

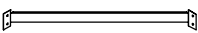
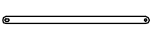
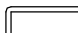



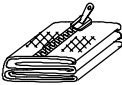

CAIRO ALUMINIUM & STEEL FRAME GAZEBO

3 X 4M

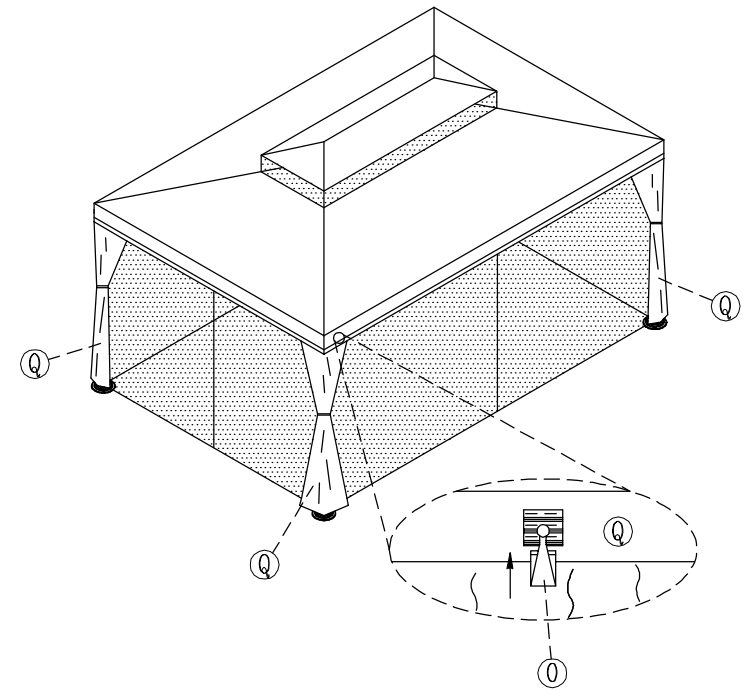
Product Assembly

Caution: this gazebo is a non-permanent structure and it is recommended the canopy be removed under extreme wind conditions to prevent damage.

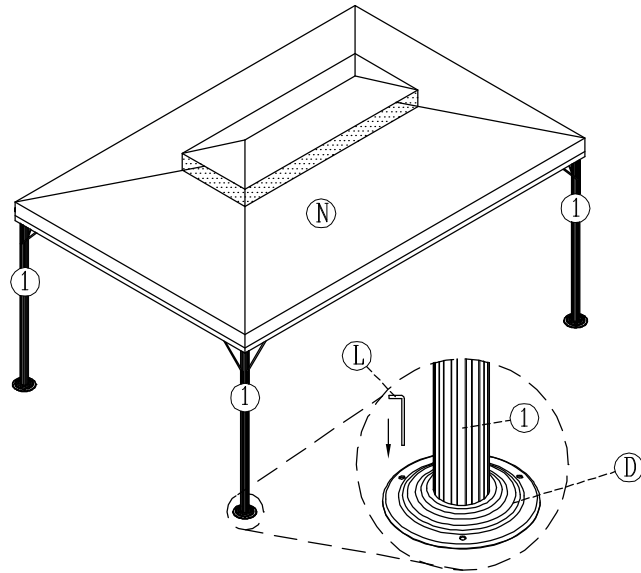


			
① Upright pole 4 PCS		② Side pole 2 PCS	③ Side pole 2 PCS
			
④ Side pole 2 PCS	⑤ Side pole 2 PCS	⑥ Central rib 6 PCS	⑦ Upper top rib 4 PCS
			
⑧ Corner rib 4 PCS		⑨ Horizontal rib 2 PCS	⑩ M6x12 bolt 122 PCS
			
⑪ M6x40 bolt 16 PCS	⑫ M6x25 bolt+nut w/cap 8 SETS	⑬ Pole feet 4 PCS	⑭ Angle 4 PCS
			
⑮ Top joint plate 2 PCS	⑯ Rib connector 8 PCS	⑰ Linked parts 4 PCS	⑱ Short bar 4 PCS
			
⑲ Long bar 4 PCS	⑳ Crossing rib 8 PCS	㉑ Ground nail 12 PCS	㉒ Top cover 1 PC
			
㉓ Cover 1 PC	㉔ Hook 112 PCS	㉕ Mosquito nets 4 PCS(SET)	㉖ Side curtains 4 PCS(SET)

STEP 8:

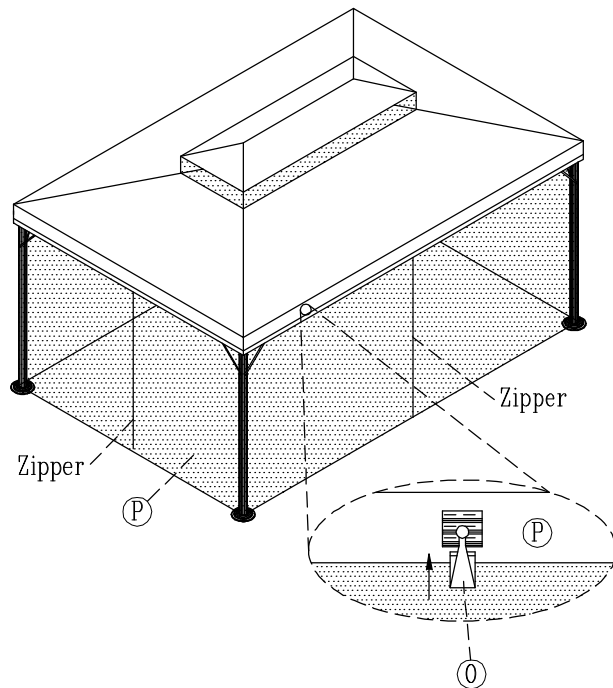


STEP 6:



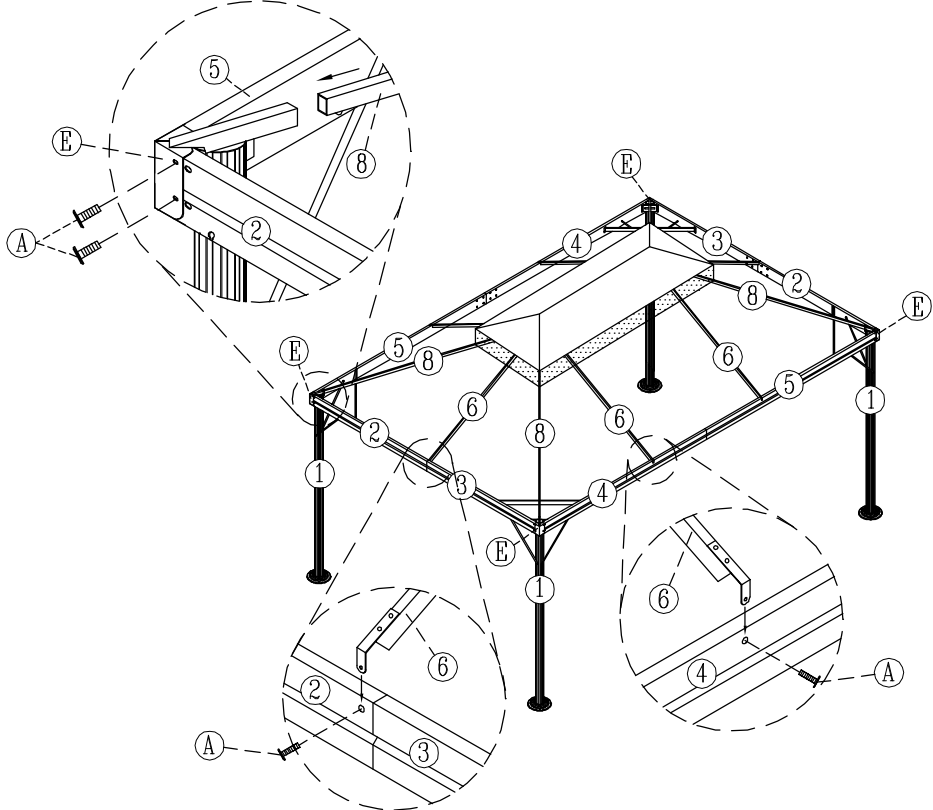
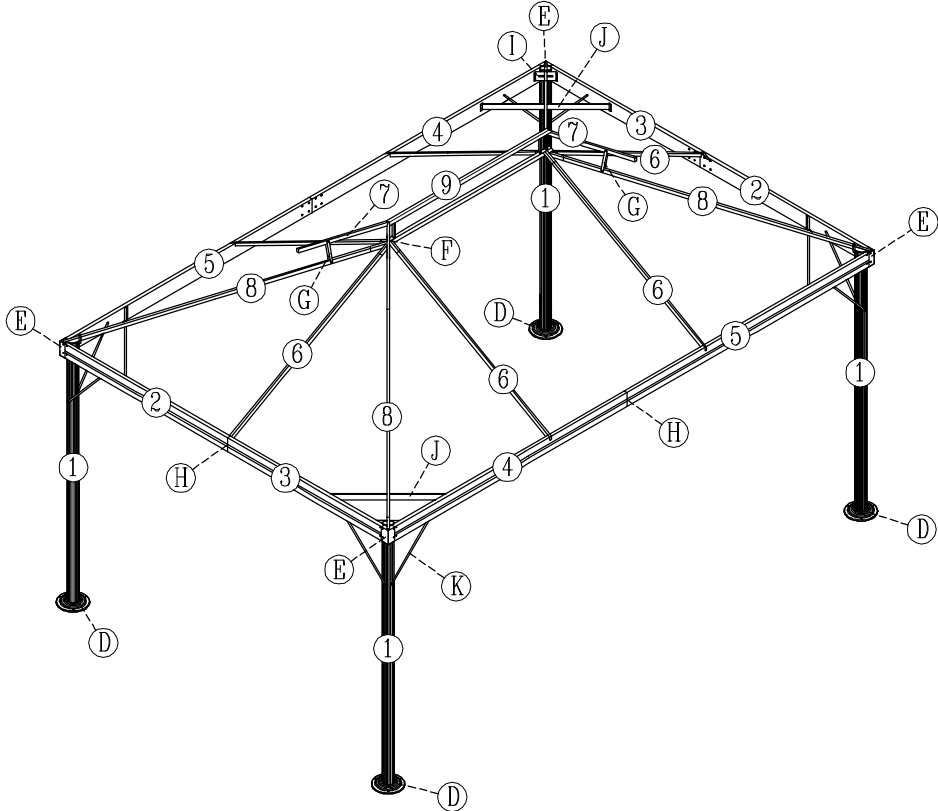
Note: The canopy is not waterproof and it is recommended to remove the canopy under extreme wind conditions. BBQ use is not recommended under the Gazebo.

STEP 7:



Follow each step of the line drawings and parts list to assemble your Gazebo.

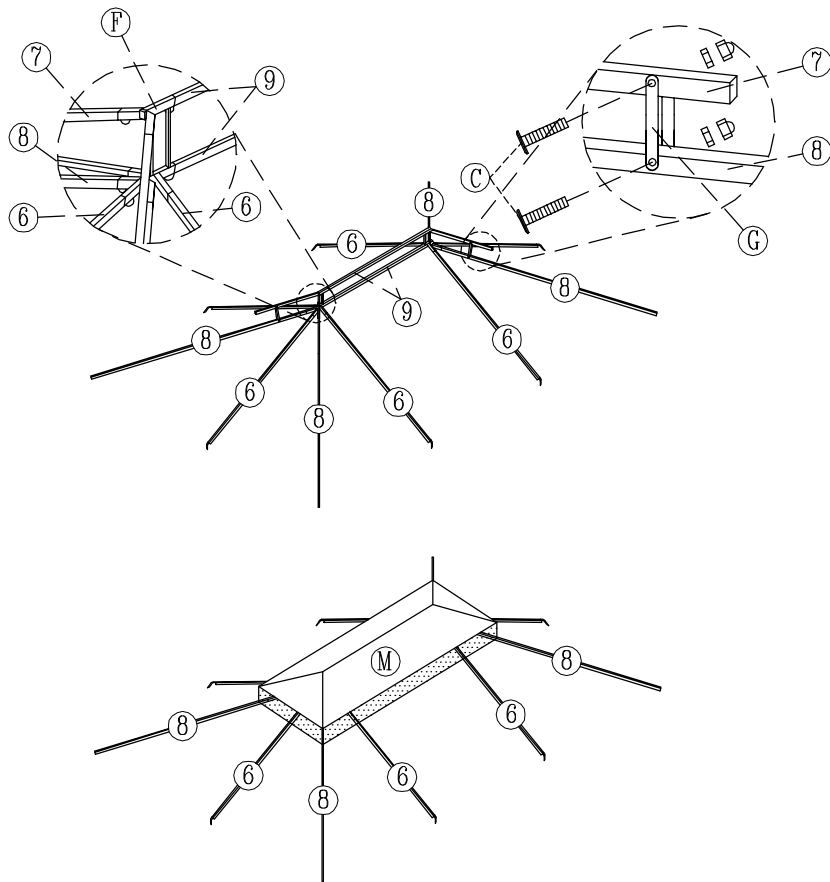
STEP 5:



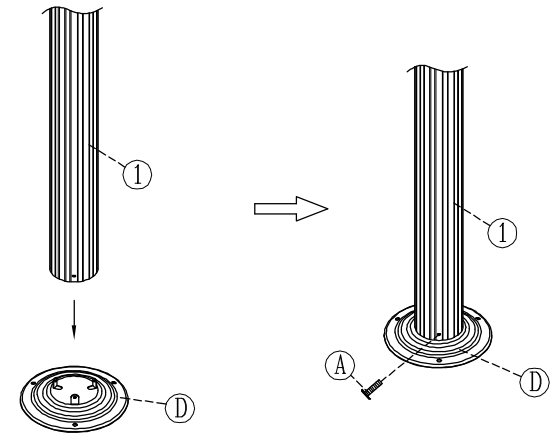
1: Reinforce ANGLE E with A, then insert the Corner rib 8 into it.

2: Fix the Central rib 6 with A.

STEP 4:

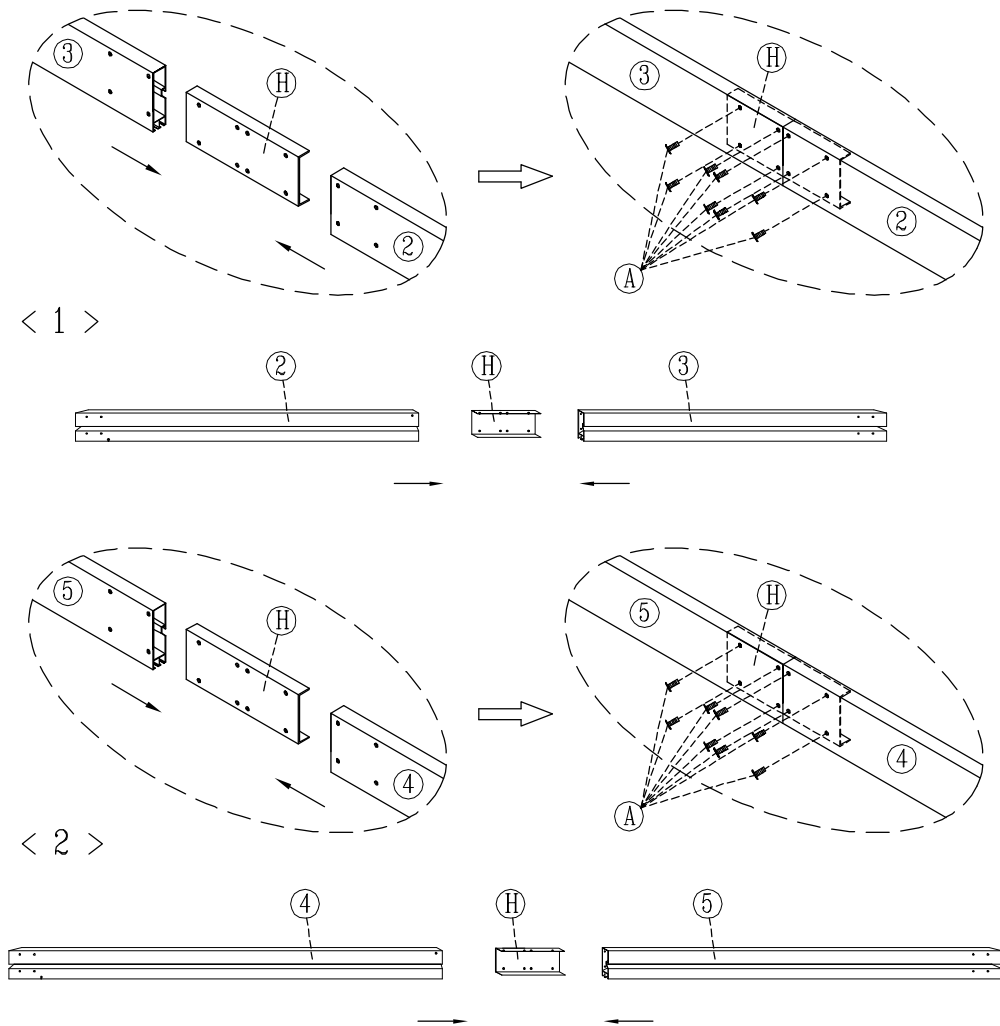


STEP 1:



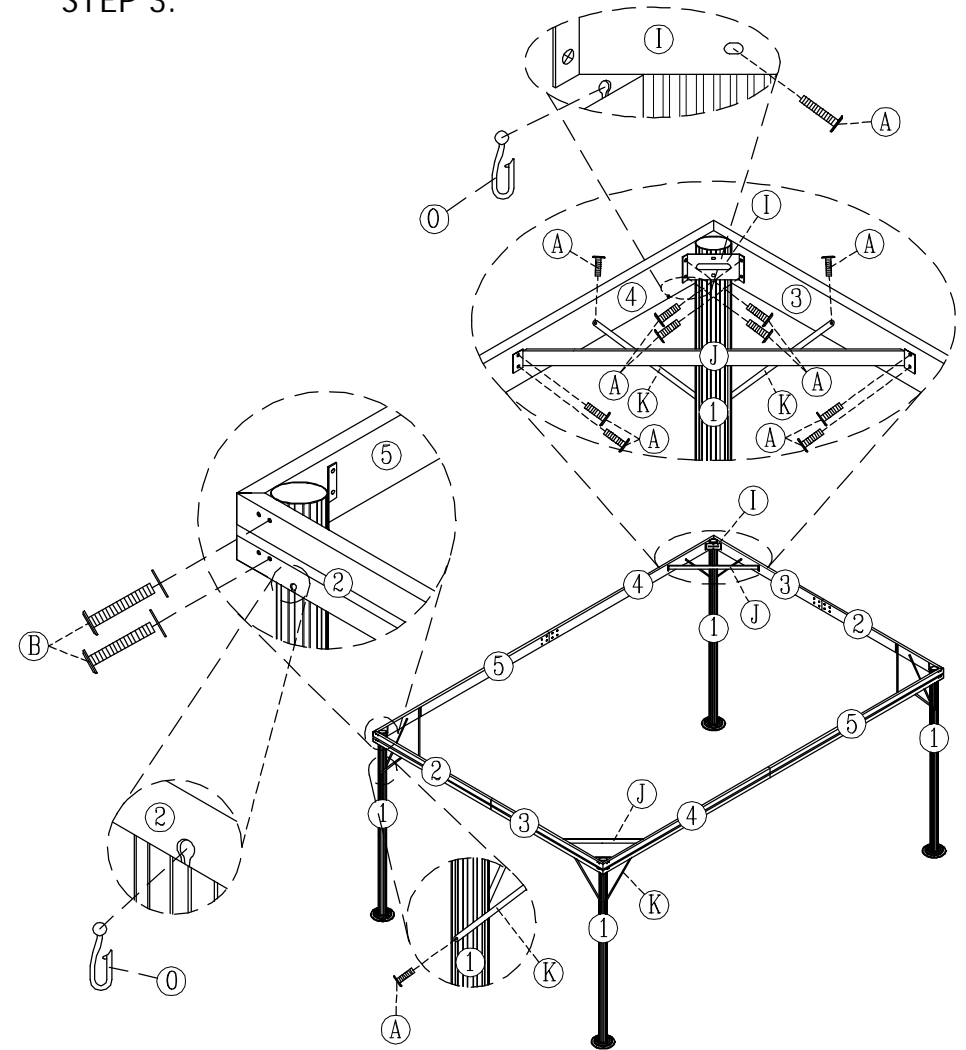
Put the Upright poles 1 on the Pole feet D, then use screw A to fix it.

STEP 2:



Connect the long Side poles 2&3 and short Side poles 4&5 with Linked parts H ,then fix with A.

STEP 3:



1: Connect the Upright pole 1 and the Side pole 2/3/4/5 by using B.

2: Joint the Side poles 2&3, 4&5 by using A.

3: Fix the Crossing rib K on the Upright pole 1 with screw A.