



MIMOSA®

Butterfly Coffee Table
Installation Guide

The first part of the document discusses the importance of maintaining accurate records of all transactions. This includes not only sales and purchases but also any other financial activities that may occur. It is essential to ensure that all entries are properly documented and supported by appropriate evidence.

In addition, the document emphasizes the need for regular reconciliation of accounts. This process involves comparing the company's internal records with the bank statements to identify any discrepancies. By doing so, the company can ensure that its financial statements are accurate and reliable.

Furthermore, the document highlights the significance of maintaining a clear and organized system for managing financial data. This can be achieved through the use of accounting software or spreadsheets, which allow for easy tracking and analysis of financial information.

Finally, the document stresses the importance of seeking professional advice when needed. Accountants and auditors can provide valuable insights and guidance to help the company navigate complex financial issues and ensure compliance with applicable laws and regulations.

Butterfly Coffee Table

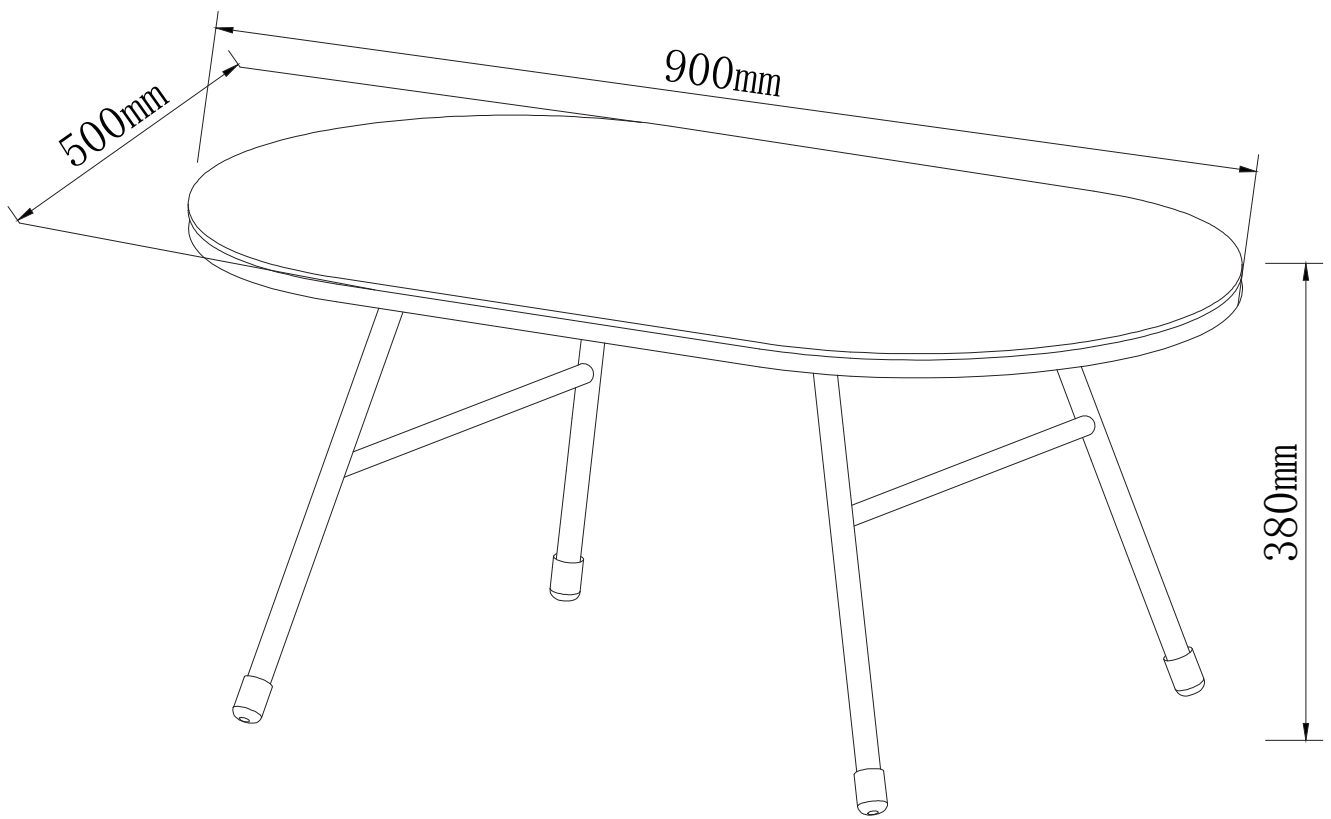
POWDER COATED STEEL FRAME - Black

Resin Wicker - Black

5mm Tempered Glass Table Top - Clear

ITEM NO. : 0584091

4.





**Please carefully read the below warnings and instructions.
Save the instructions for future reference.**

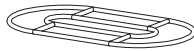


- Please carefully read all instructions before assembly and use.
- Please separate and identify all parts, ensuring that you have all parts listed.
- Assembly to be carried out by a competent adult.
- During assembly children should be kept away from the product due to possible risk of injury, small parts, and sharp fittings.
- Do NOT use power tools to assemble the product.
- Don't tight all the bolts before the product is fully assembled. Be careful not to over tighten the nuts during assembly.
- Please check the fixings are all tight monthly.

Recommendation

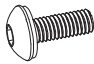


- It would be useful to ask someone to help you assemble the product.
- Retain these instructions for future reference.
- This product is not suitable for extreme weather conditions. Do NOT use in extreme weather condition such as thunderstorm, hailstone, heavy rain, high wind or heavy snow, etc. Warranty claims due to weather events won't be taken into account.
- This piece of furniture has been produced under the best possible conditions and care. However we advise you during constructing or breaking down of this piece of furniture to be aware of sharp metal.
- This product is designed for occasional use only. Do not use as a permanent structure. If no use for long time, dismantle and store safely to prevent any damage occurring.
- If the glass is chipped or broken, stop using the product and consult the manufacturer or supplier.
- Do not place very hot or very cold items on the glass surface(s) unless adequately thick table mats are used to prevent such items from coming into contact with the glass.
- Do not use the glass as a chopping surface. Do not strike the glass with hard or pointed items.
- When cleaning glass panels use a damp cloth or leather with washing up liquid or soft soap if necessary; donot use washing powders or any other substances containing abrasives since these substances scratch glass.
- When using a plastic cover on your furniture, you will need to put an extra cotton medium between this cover and the glass surface. Direct contact between some plastics and the surface of the glass may lead to permanent damage of the table under moist and hot conditions.
- Do not sit or stand upon the glass surface(s).

6.

Parts List:

Part No.	Pictures	Description	QTY
A		Table-rack	1
B		Table leg	2
C		Glass table top	1

Hardware Kit:

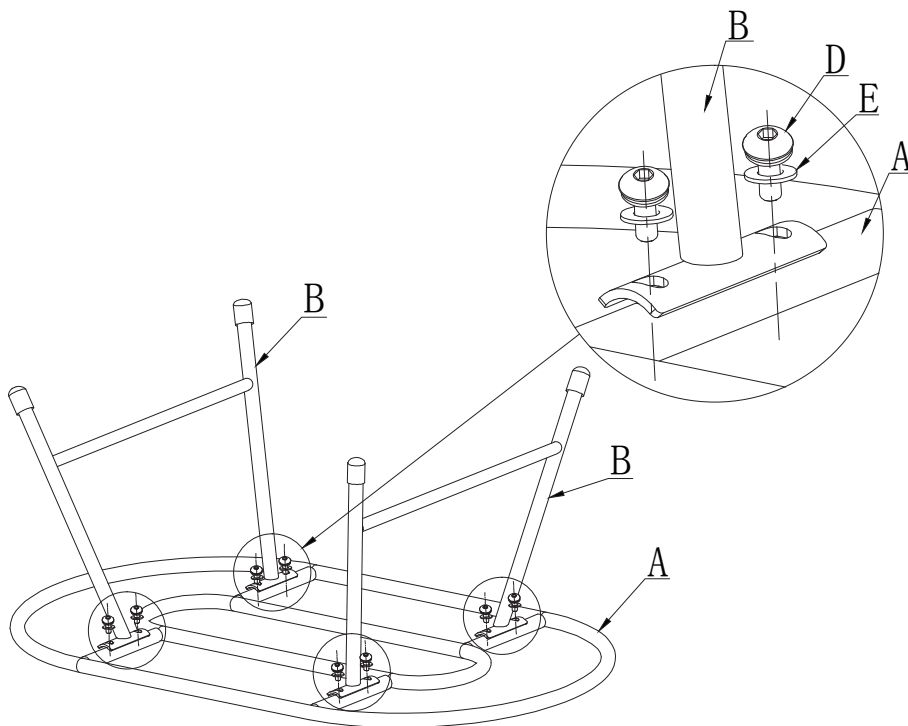
Part No.	Pictures	Description	QTY
D		Bolt	8
E		Washer	8
F		Allen Key	1

A		x1	D		x8
B		x2	E		x8

Step 1:

Fix the table legs (B) to the table-rack (A) with bolts (D) and washers (E).

Once all bolts are in position tighten securely using Allen Key (F).



8.

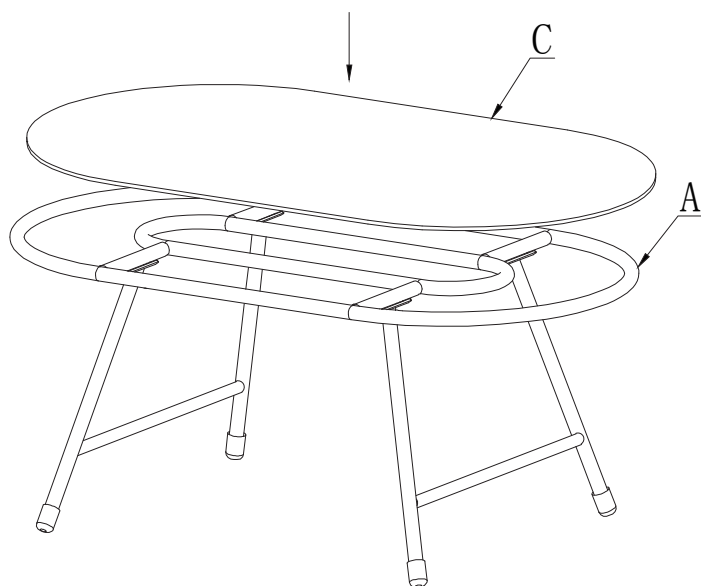
C



x1

Step 2:

Put the glass table top (C) on the table-rack (A).



Coffee table is now ready for use.

