

ROLLTRAK

DOOR & WINDOW SPECIALISTS

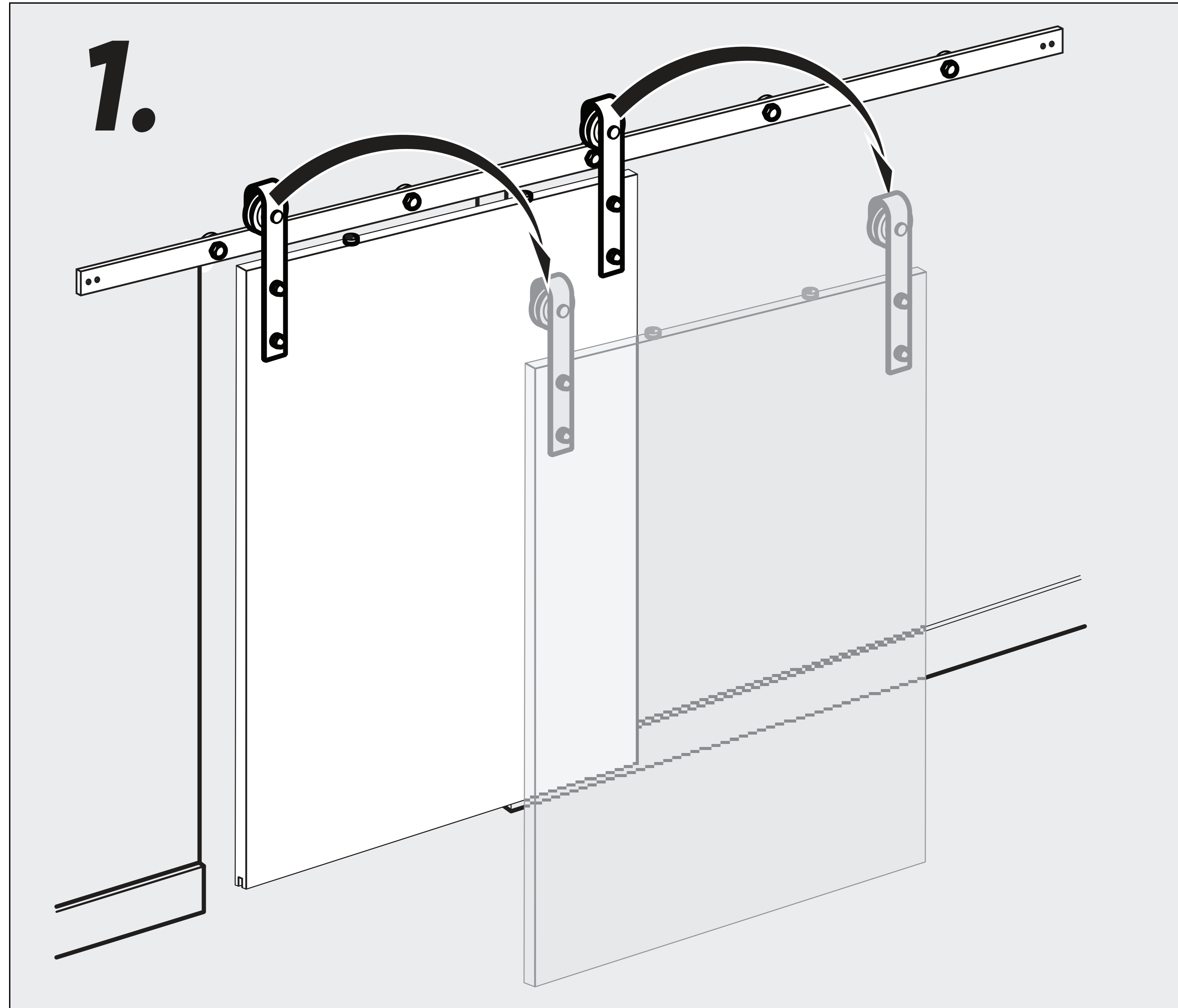
BARN DOOR SOFT CLOSER

Model Number:

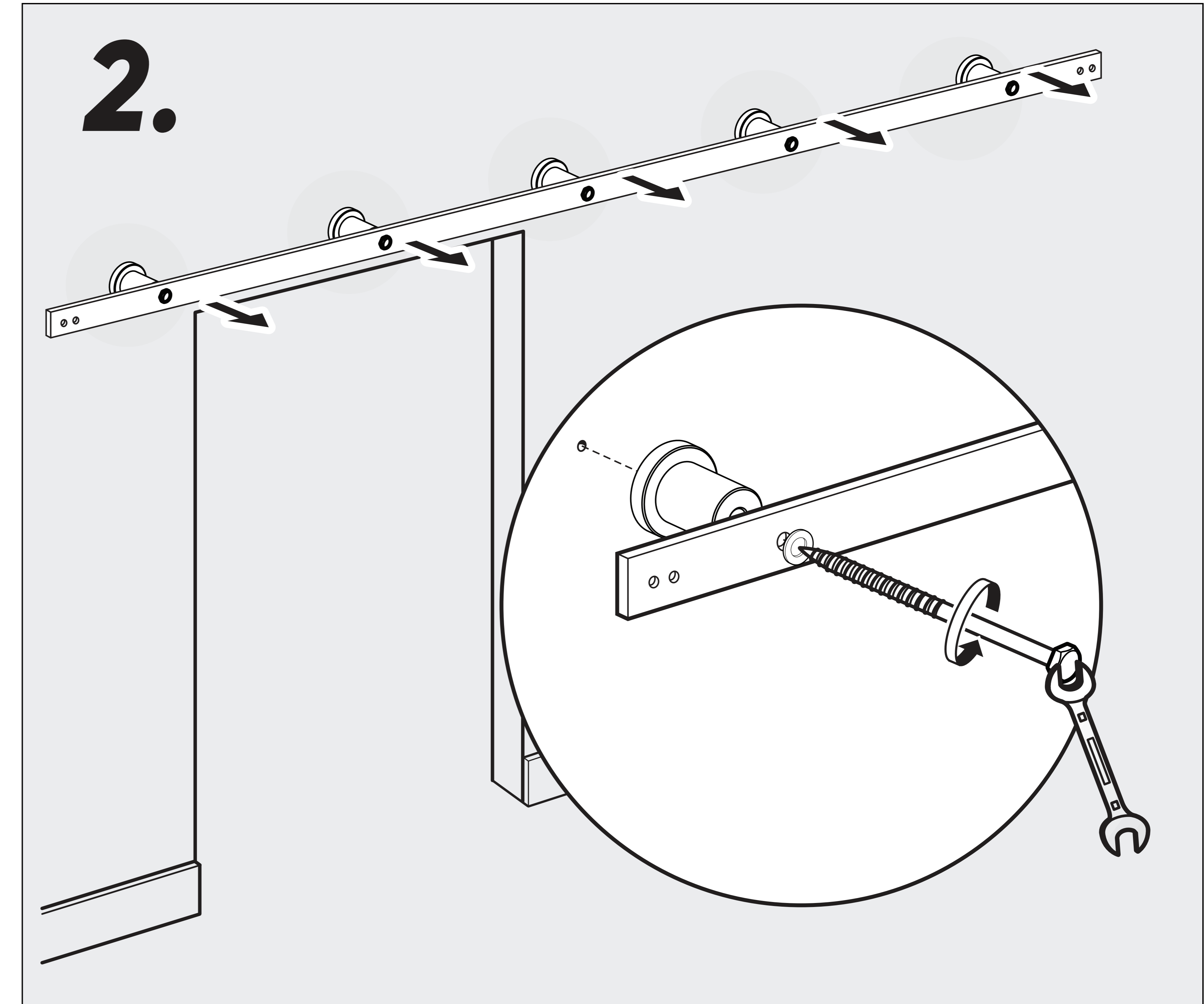
90210

Tools required:

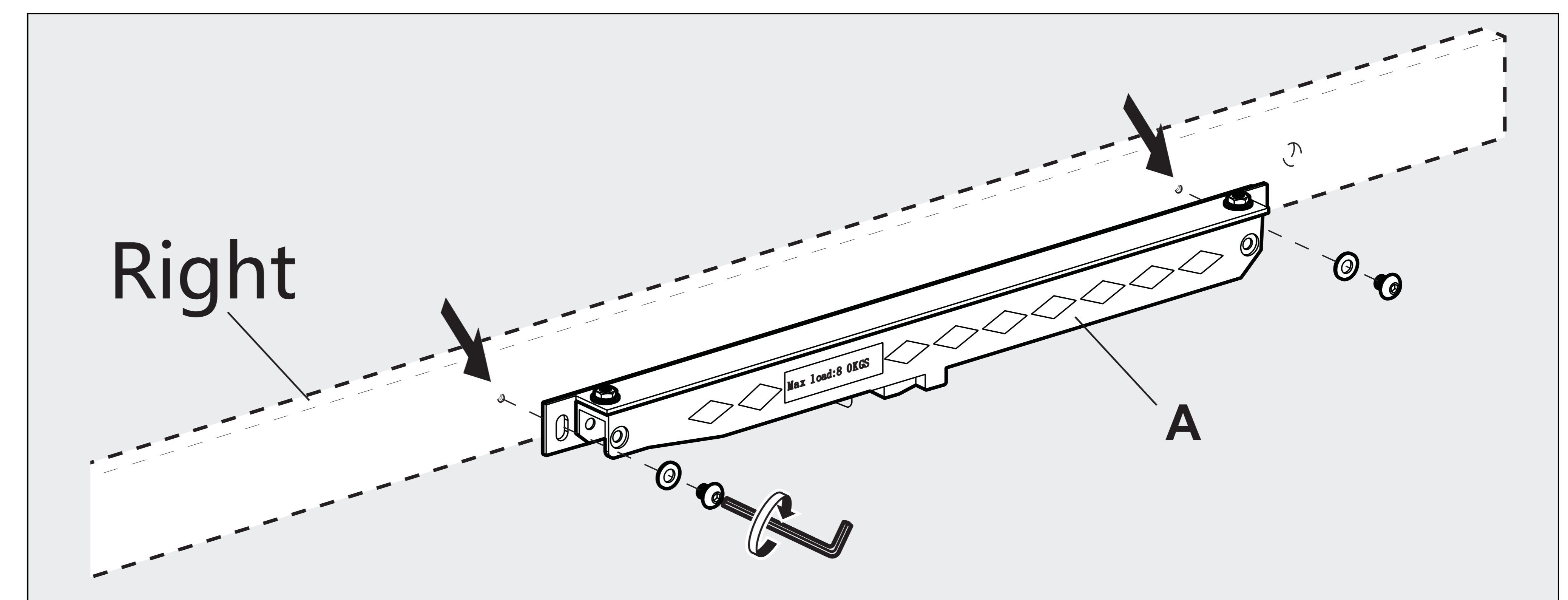
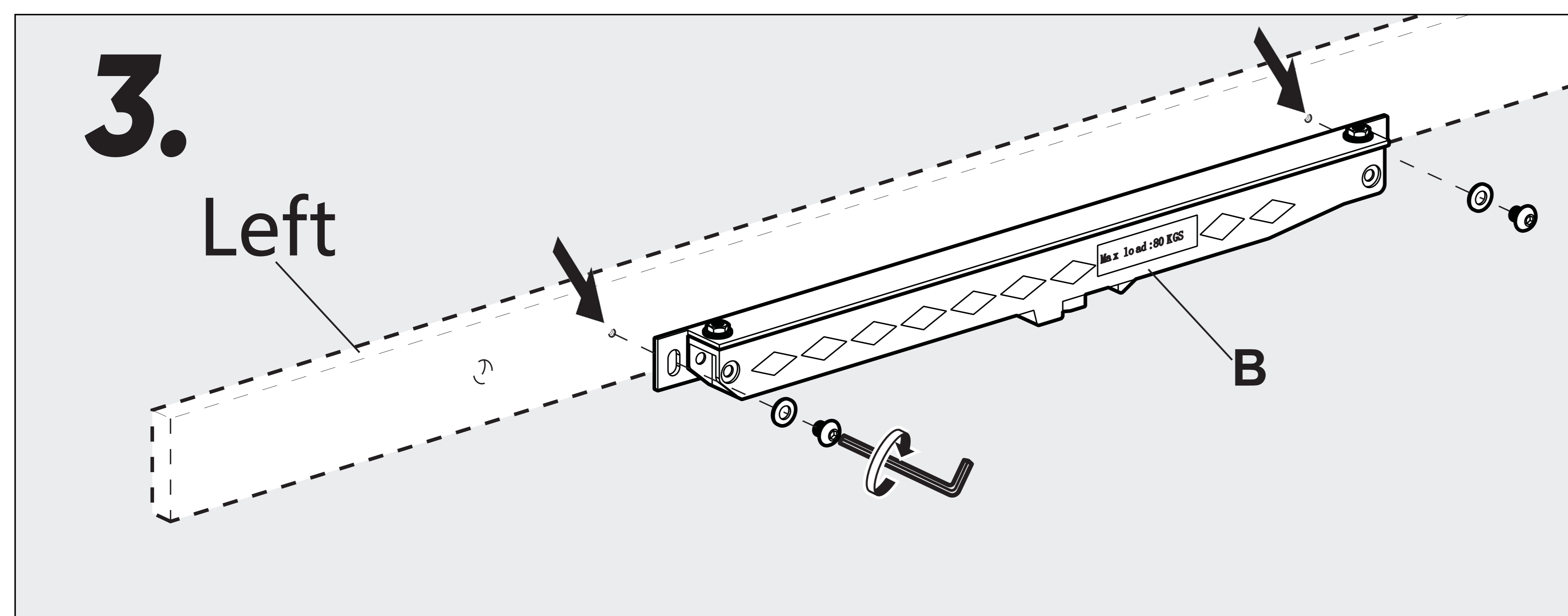
Drill, tape measure, pencil, phillips head screwdriver, 2mm high speed steel drill bit, wrench & socket set.



1. Temporarily remove the door from the track.

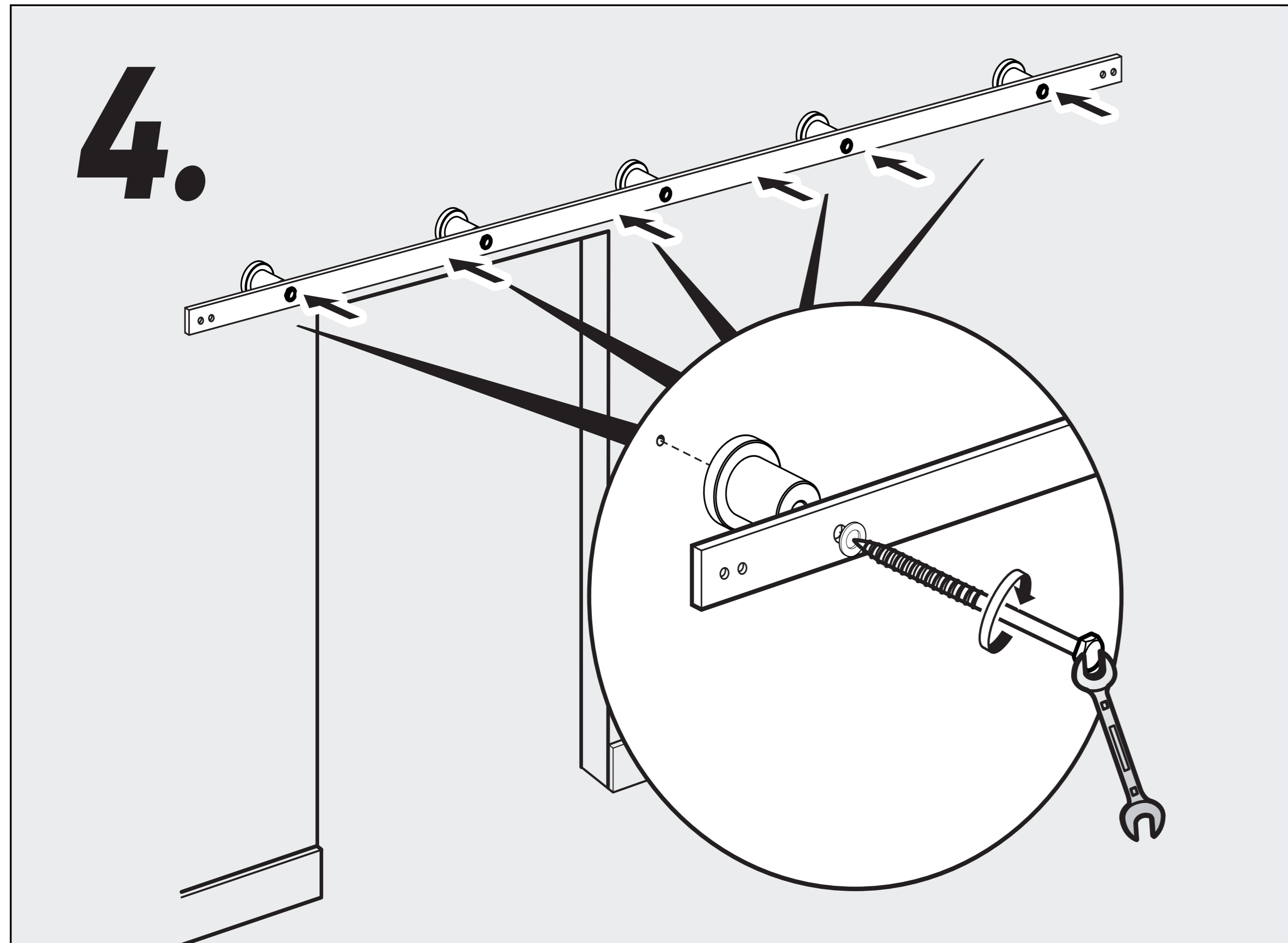


2. Temporarily remove track from the wall.

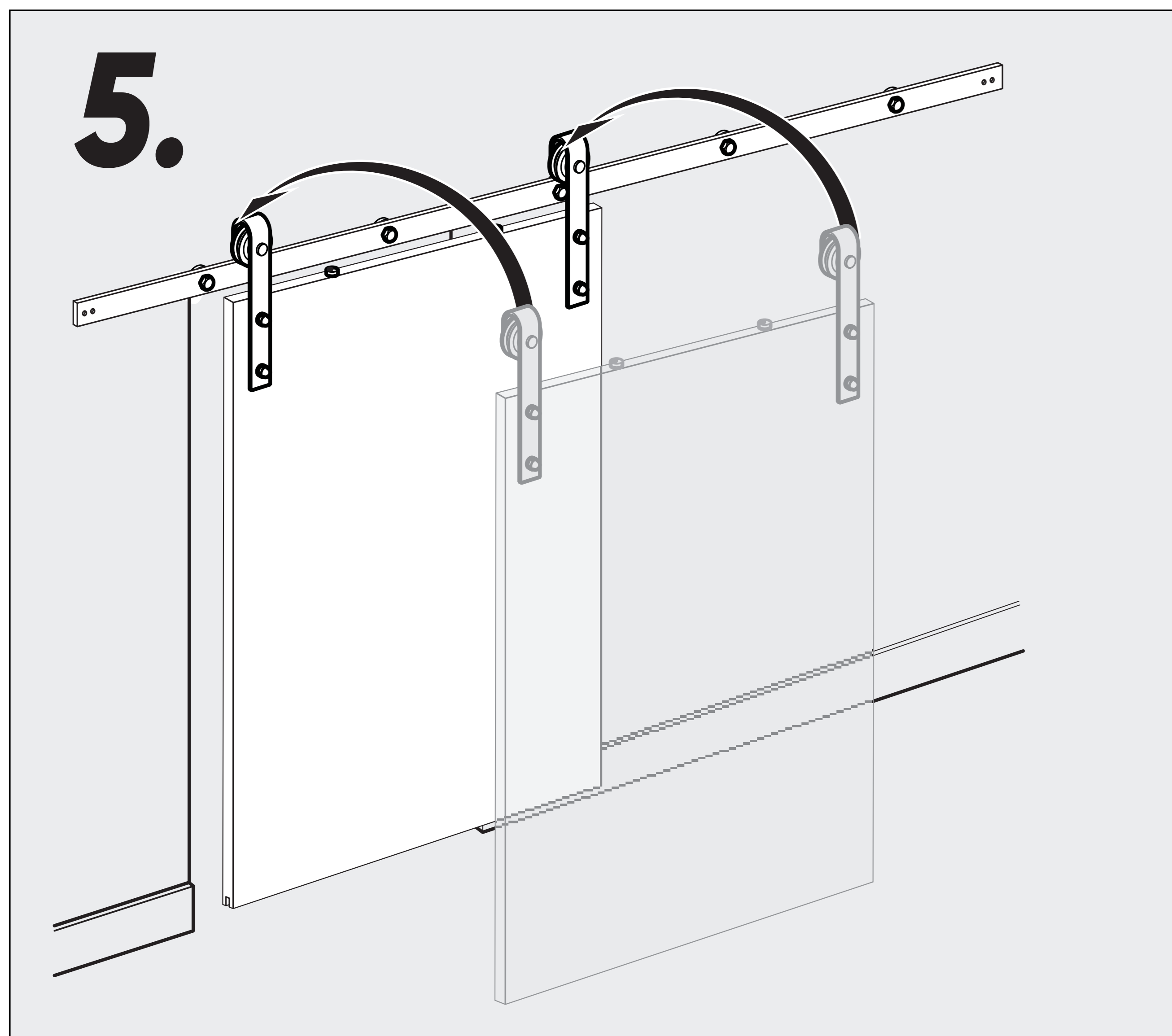


3. Install the Soft Closer Assemblies onto the track.

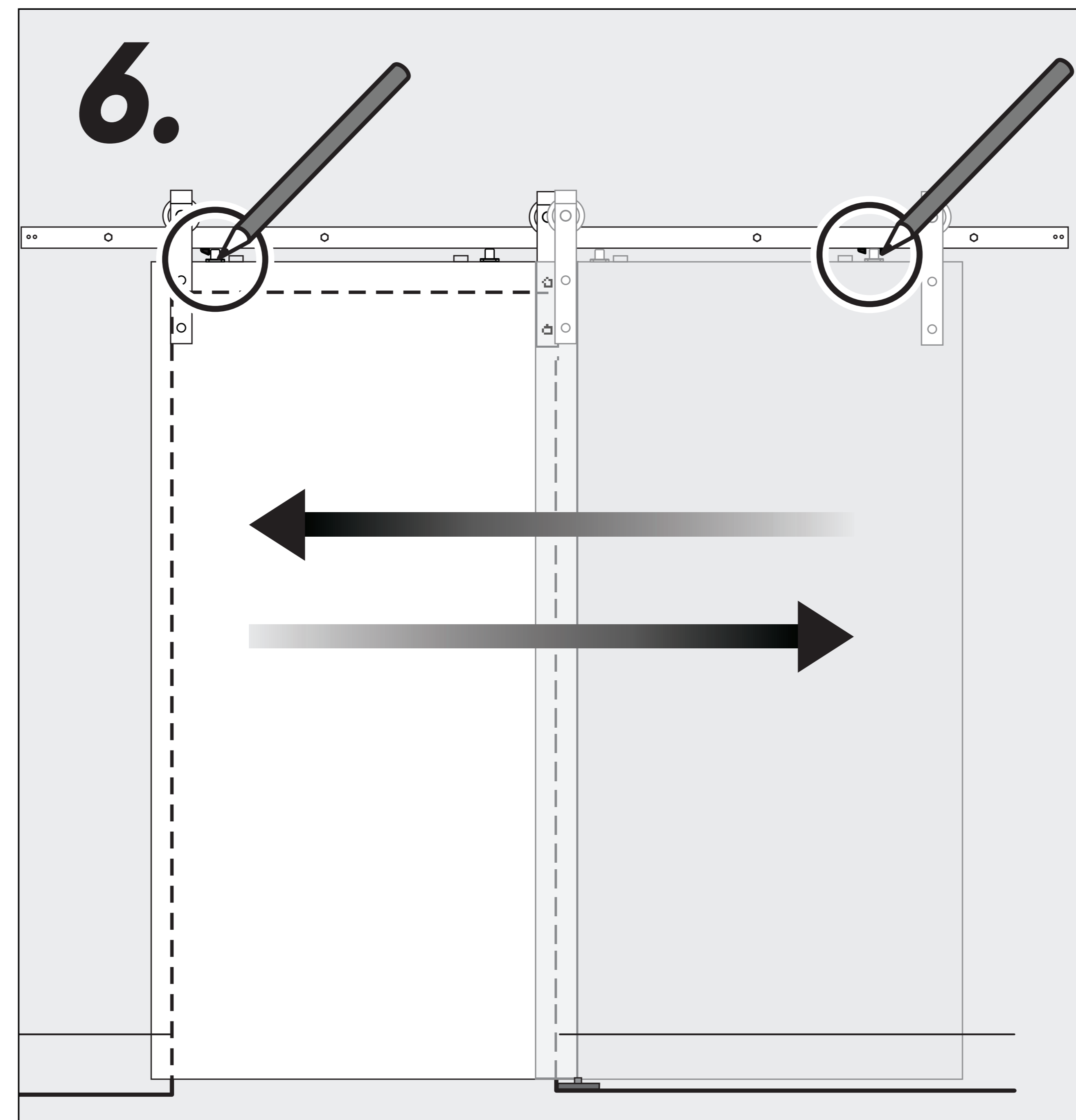
INSTALLING THE ACTUATOR



4. Install the track

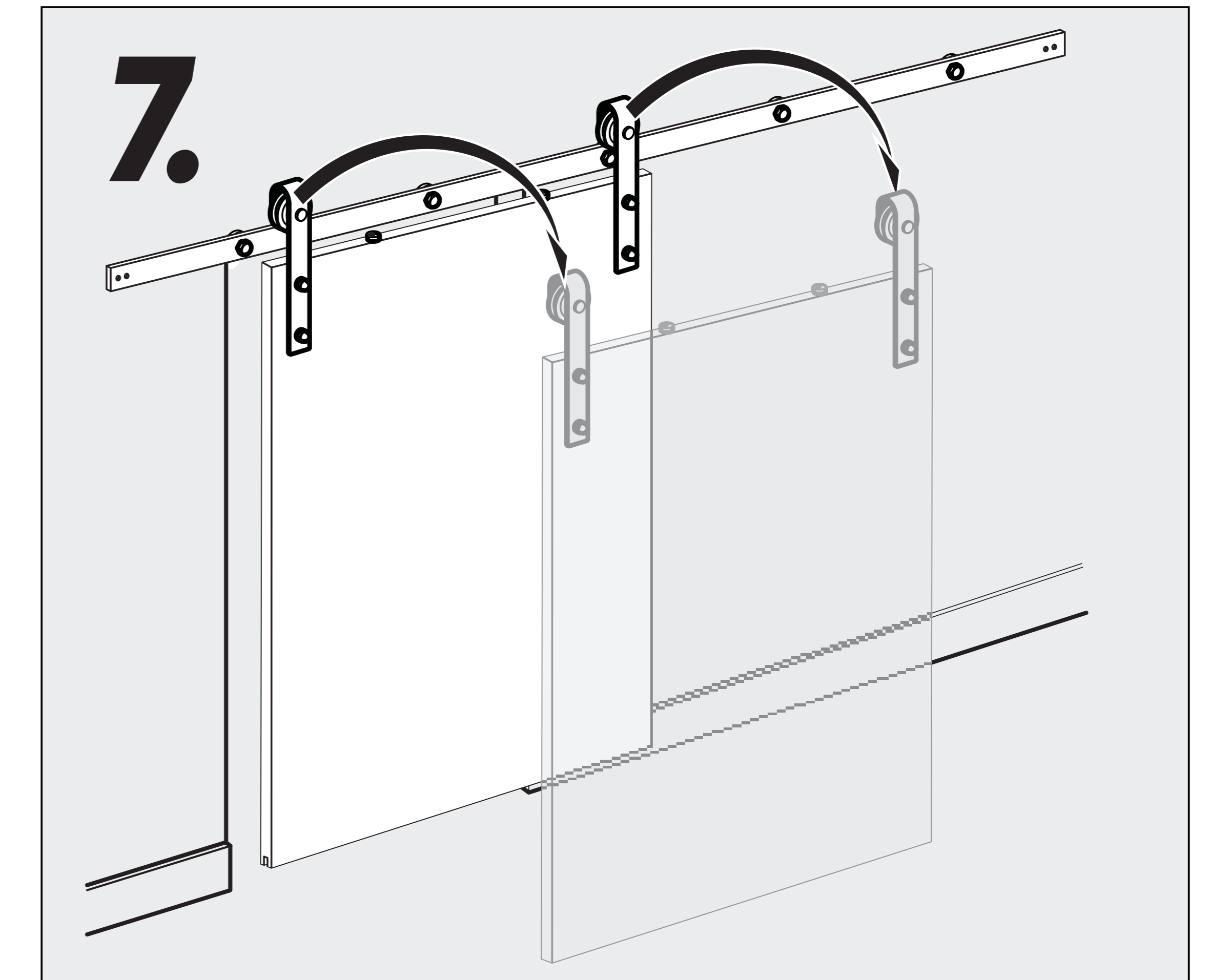


5. Install the door

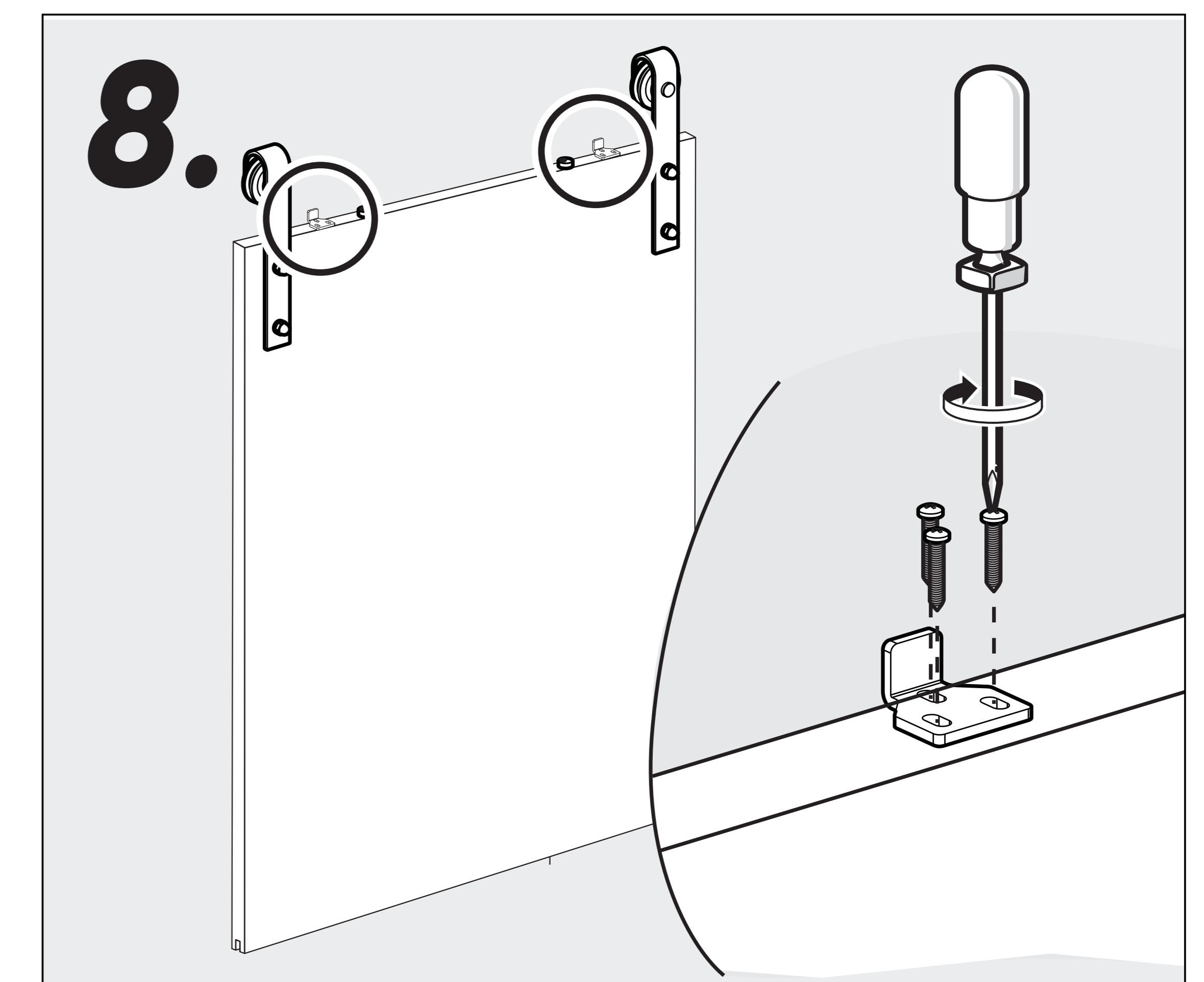


6. Slide the door to the closed position. Use a pencil to mark the actuator on the top of the door.

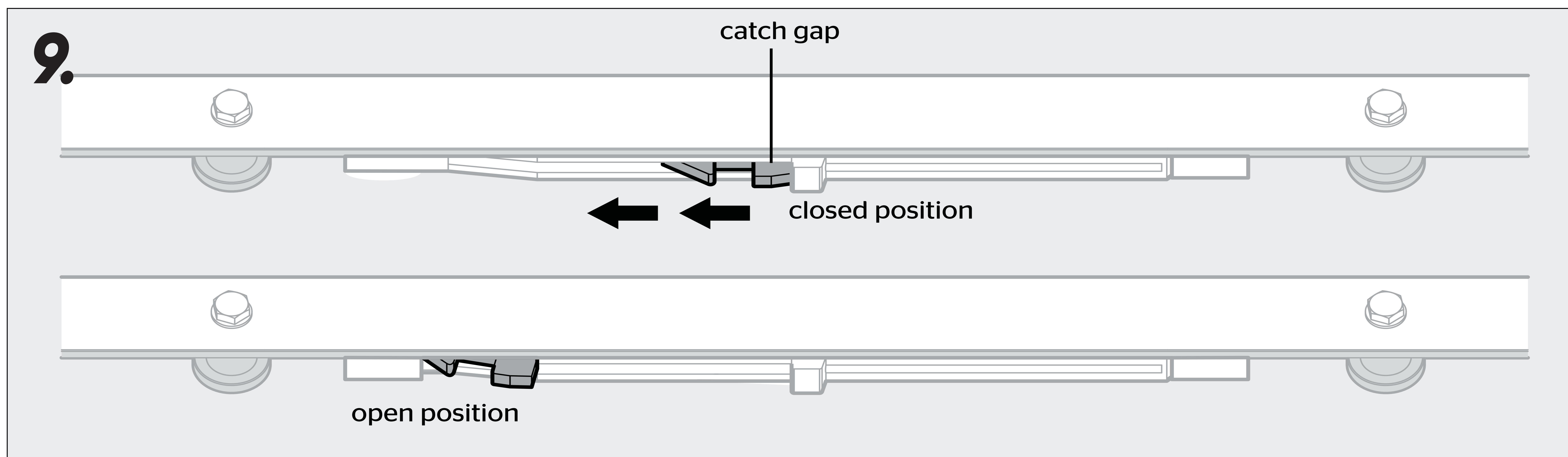
Then slide the door to the open position. Use a pencil to mark the actuator on the top of the door.



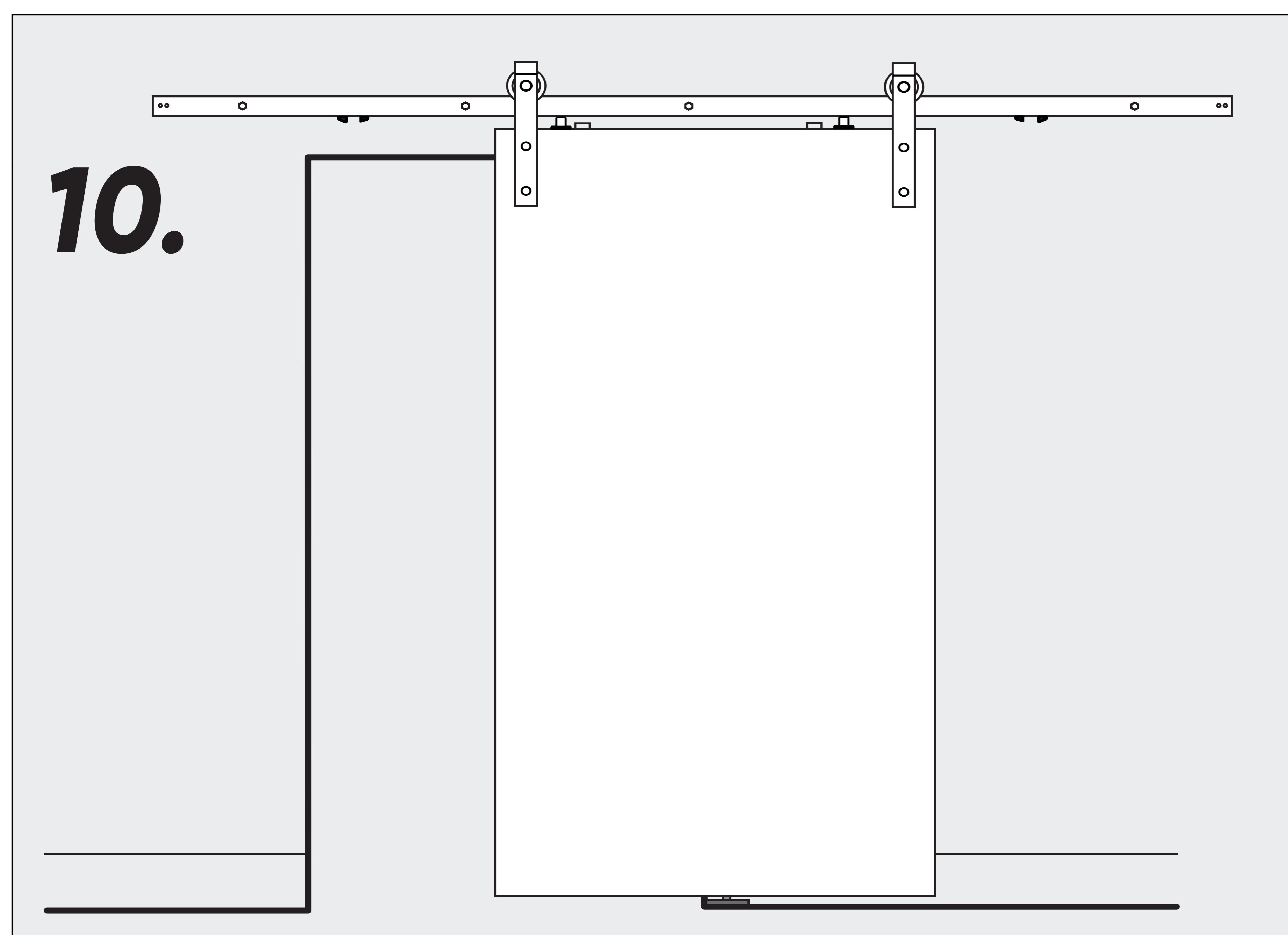
7. Temporarily remove the door from the track.



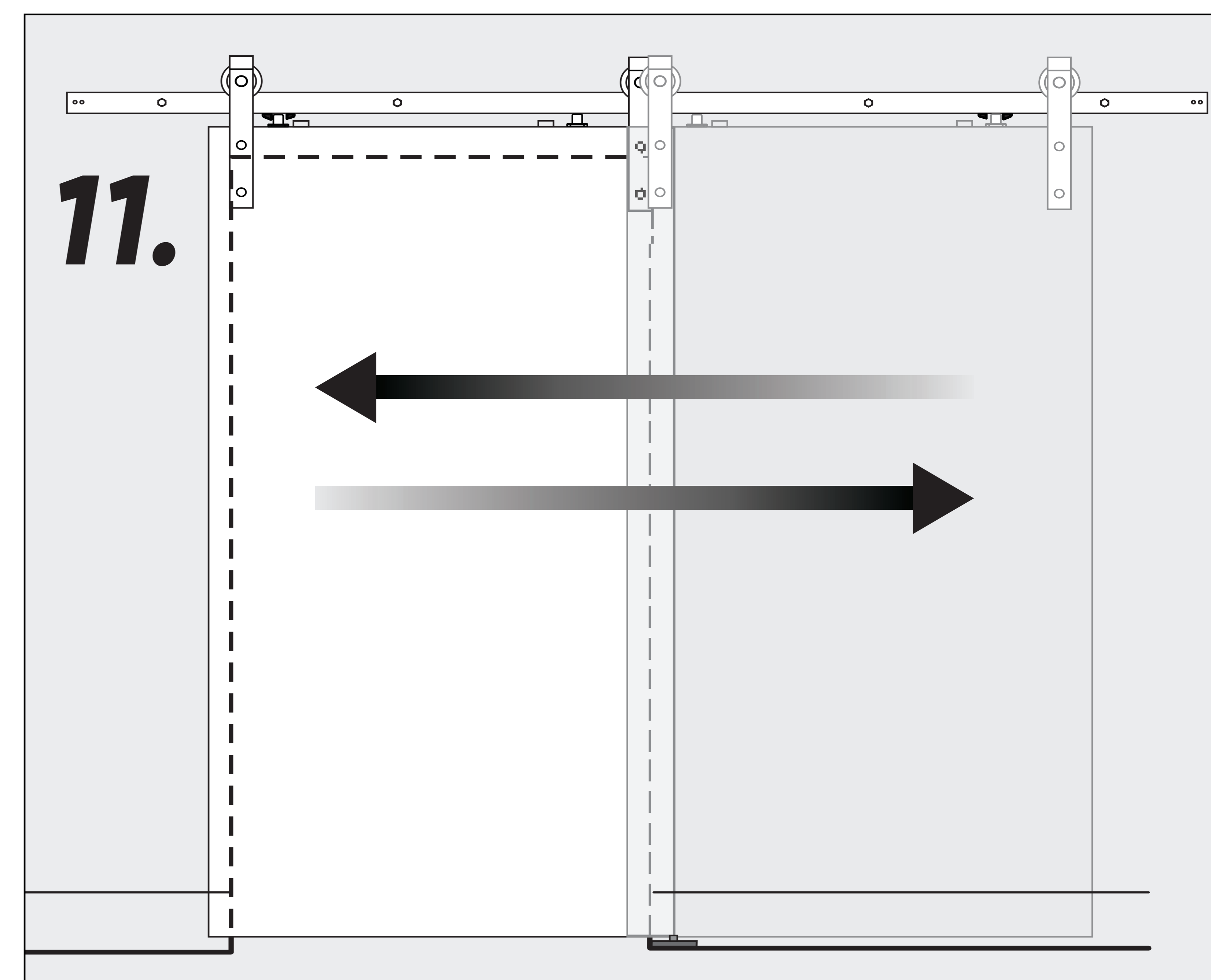
8. Install the actuator



9. Use a flathead screwdriver to pull the catch toward the centre of the track so that the Soft Closer assemblies are in the open position. ***Please use caution, as additional force may be required.***



10. Re-install the door on the centre of the track.



11. Slide the door to the open and closed position.