



R18BZL



IMPORTANT!

It is essential that you read the instructions in this manual before assembling, operating, and maintaining the product.

Subject to technical modification.

Safety, performance, and dependability have been given top priority in the design of your cordless bug zapper.

INTENDED USE

The cordless bug zapper is intended to be used only by adults who have read and understood the instructions and warnings in this manual and can be considered responsible for their actions.

The product is intended for indoor use in a well-ventilated area. **The product can be used outdoors under a canopy or the like, protected from rain and moisture.** The product is intended for household use only. The product is not suitable for use in barns, stables, and similar locations.

The product is designed to attract and zap bugs from the area where the product is used.

Do not use the product for any other purpose.

GENERAL SAFETY WARNINGS

- Read all safety warnings, instructions, illustrations, and specifications provided with the product. Failure to follow all instructions listed below may result in electric shock, fire and/or serious injury. Keep the instructions safe for later use.
- Never allow children or people with reduced physical, sensory, or mental capabilities, or persons who are not familiar with these instructions to operate, clean, or maintain the product. Local regulations may restrict the age of the operator. Children should be adequately supervised to ensure that they do not play with the product.

BATTERY TOOL USE AND CARE

- Recharge only with the charger specified by the manufacturer. A charger that is suitable for one type of battery pack may create a risk of fire when used with another battery pack.
- Use only battery packs intended specifically for the product. Use of any other battery packs may result in a risk of fire, electric shock, or injury to persons.

- When the battery pack is not in use, keep it away from other metal objects, like paper clips, coins, keys, nails, screws, or other small metal objects that can make a connection from one terminal to another. Shorting the battery terminals together may cause burns or a fire.
- Under abusive conditions, liquid may be ejected from the battery. Avoid contact. If contact accidentally occurs, flush with water. If liquid contacts eyes, additionally seek medical help. Liquid ejected from the battery may cause irritation or burns.
- Do not place battery products or their batteries near fire or heat. This increases the risk of explosion and possibly injury.
- Remove exhausted battery packs from the product and safely dispose of them.

BUG ZAPPER SAFETY WARNINGS

- To reduce risk of electric shock and serious injury, do not clean or spray the product with water.
- Do not operate the product in explosive atmospheres, such as in the presence of flammable liquids, gases, or dust. The product creates sparks which may ignite the dust or fumes.
- The product has a high voltage grid. To reduce the risk of electric shock and/or serious injury, do not touch the high voltage grid.
- Never use the product with defective guards or shields, or without safety devices in place.
- Before use and after any impact, check that there are no damaged parts on the product. A defective switch or any part that is damaged should be properly repaired or replaced by an authorised service centre.
- Never modify the product in any way. This may increase the risk of injury to yourself or others.
- Turn off the product, remove the battery pack, and allow the product to cool down:
 - before servicing
 - before clearing a blockage
 - before checking, cleaning, and working on the product
 - before changing accessories
 - whenever performing maintenance

- Immediately turn off the product and remove the battery pack in the event of accident or breakdown. Never operate the product again until it has been fully checked by an authorised service centre.

ADDITIONAL BATTERY SAFETY WARNINGS

To reduce the risk of fire, personal injury, and product damage due to a short circuit, never immerse the product, battery pack, or charger in fluid or allow fluid to flow inside them. Corrosive or conductive fluids, such as seawater, certain industrial chemicals, and bleach or bleach-containing products, etc., can cause a short circuit.

TRANSPORTATION AND STORAGE

- Turn off the product, remove the battery pack, and allow both to cool down before storing or transporting.
- Remove all foreign materials from the product.
- Store the product out of the reach of children and do not allow persons who are unfamiliar with the product or these instructions to operate the product.
- Do not store or transport the product with the battery pack fitted. Remove the battery pack, and secure it separately. Store the product in a cool, dry, and well-ventilated place that is inaccessible to children. Keep the product away from corrosive agents, such as garden chemicals and de-icing salts. Do not store the product outdoors.
- For transportation in vehicles, secure the product against movement or falling to prevent injury to persons or damage to the product.

TRANSPORTING LITHIUM BATTERIES

Follow all special requirements on packaging and labelling when transporting batteries by a third party. Ensure that no batteries can come in contact with other batteries or conductive materials while in transport by protecting exposed connectors with insulating, nonconductive caps or tape. Do not transport batteries that are cracked or leaking. Check with the forwarding company for further advice.

MAINTENANCE

- Use only original manufacturer's replacement parts, accessories, and attachments. Failure to do so can cause possible injury, can contribute to poor performance, and may void your warranty.
- Servicing requires extreme care and knowledge and should be performed only by a qualified service technician. Have the product serviced by an authorised service centre only.
- Turn off the product and remove the battery back before conducting any maintenance or cleaning work.
- You may make adjustments and repairs described in this manual. For other repairs, contact an authorised service centre.
- After each use, clean the product with a soft, dry cloth. Any part that is damaged should be properly repaired or replaced by an authorised service centre.
- Check all nuts, bolts, and screws before each use and at frequent intervals for proper tightness to ensure that the product is in safe working condition. Any part that is damaged should be properly repaired or replaced by an authorised service centre.
- Bring the product to an authorised service centre to replace damaged or unreadable labels.

SYMBOLS ON THE PRODUCT



Safety alert



Read and understand all instructions before operating the product. Follow all warnings and safety instructions.



Waste electrical products should not be disposed of with household waste. Please recycle where facilities exist. Check with your local authority or retailer for recycling advice.



Do not expose the product to rain or damp conditions.



Regulatory Compliance Mark (RCM). The product meets applicable regulatory requirements.



Remove the battery pack before starting any work on the product.



Electric shock hazard

SYMBOLS IN THIS MANUAL



Note

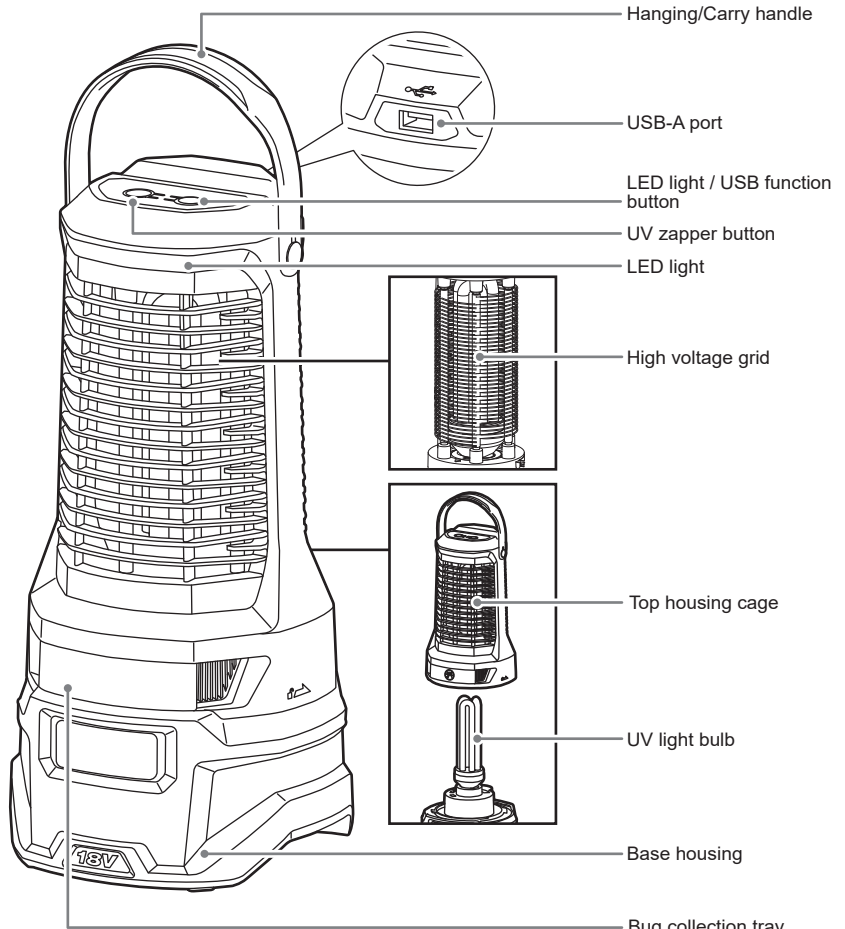


Warning



Parts or accessories sold separately

R18BZL



Operator's manual

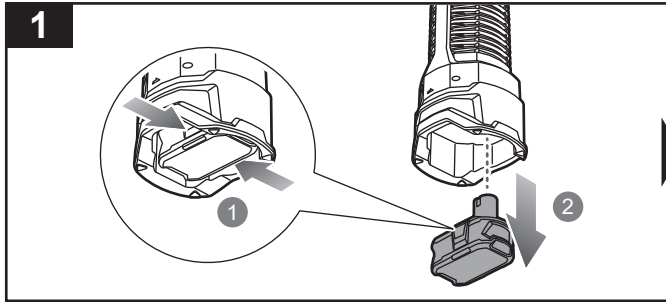
Cleaning brush

Battery pack

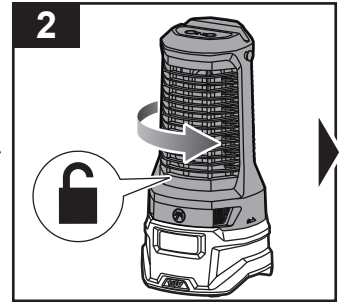
Charger

R18BZL12

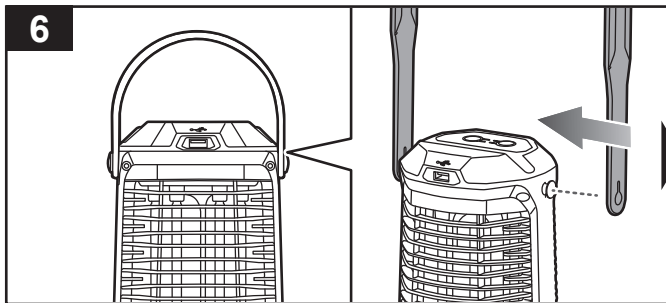




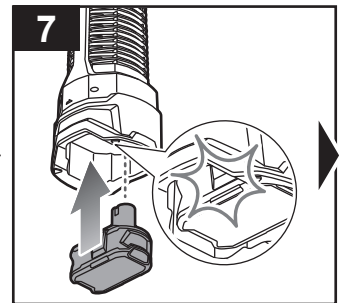
Remove the battery pack.



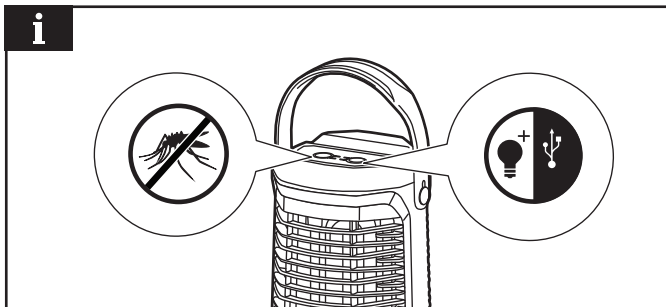
Hold the base housing with one hand and use the other hand to turn the top housing cage counterclockwise.



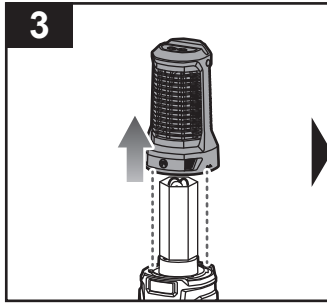
Attach the hanging/carry handle onto the two hook points at the top of the unit.



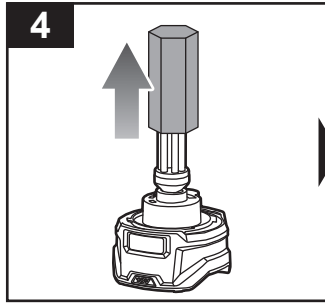
Insert the battery pack. Make sure that it clicks into place.



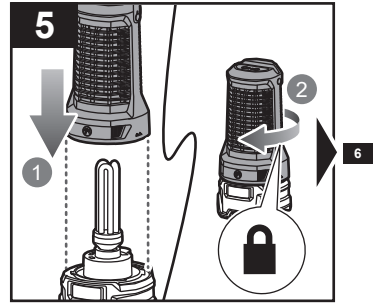
NOTE: The UV zapper button activates/deactivates and sets the timer for the zapper. The LED light button turns on/off and adjusts the brightness of the LED light.



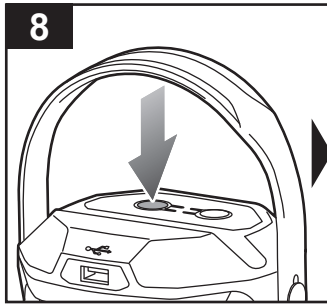
Remove the top housing cage.



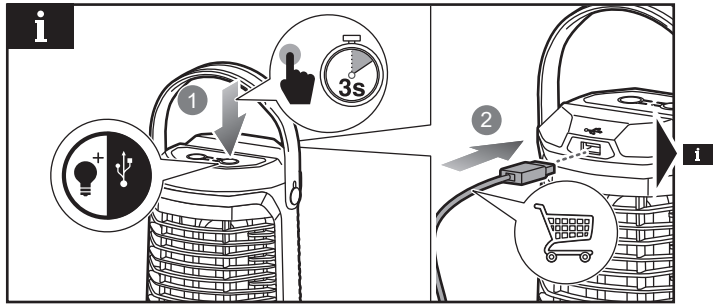
Remove the cardboard cover over the UV light bulb.



Reinstall the top housing cage. Secure it in place by turning it clockwise.

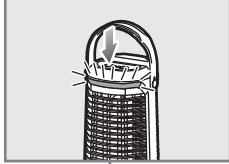


Press the UV zapper button to turn on the product and set the preferred runtime.



NOTE: Press and hold the LED light button for three seconds to turn the USB functionality on or off.

Using the product **p.9**



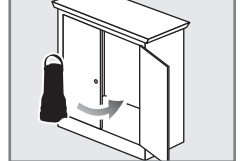
Replacing the UV light bulb **p.10**

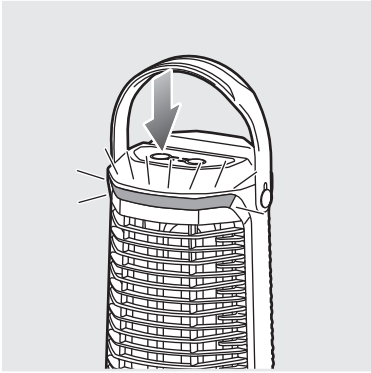


Cleaning the product **p.11**



Storing the product **p.12**



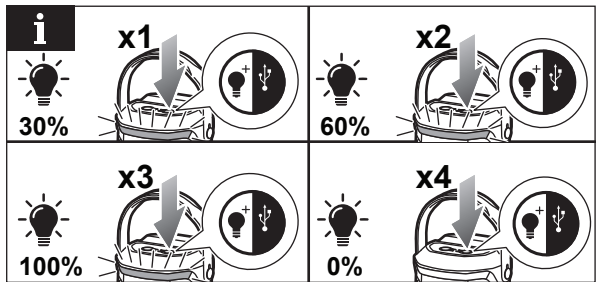
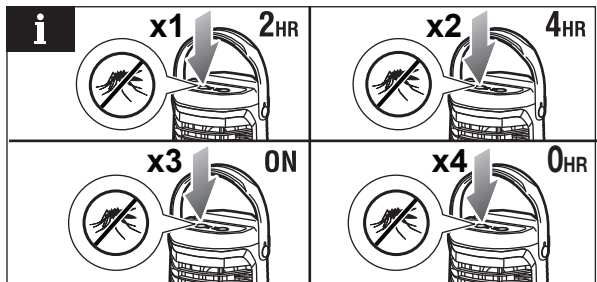
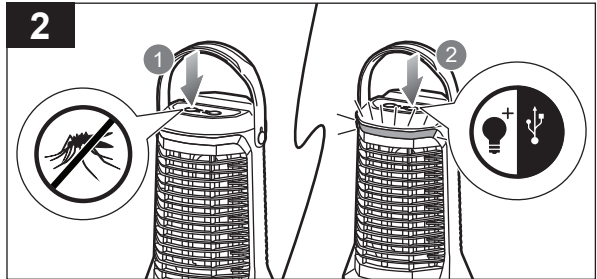
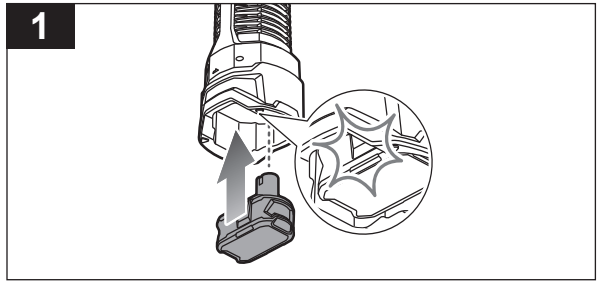


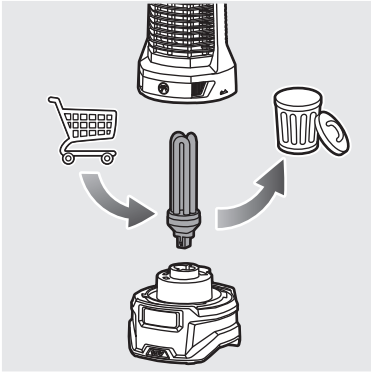
USING THE PRODUCT

1. Insert the battery pack.
2. Press the UV zapper button to turn on the zapper and the LED light button to turn on the LED light.

NOTE: To set the timer for the UV zapper, press the UV zapper button. Pressing the button once sets the timer to two hours, two times to four hours, and three times to continuously run until the battery is depleted. Pressing the button four times turns the UV bulb off.

NOTE: Press the LED light button to adjust the brightness of the LED light. Pressing the button once sets the brightness to 30%, two times to 60%, and three times to 100%. Pressing the button four times turns off the LED light.



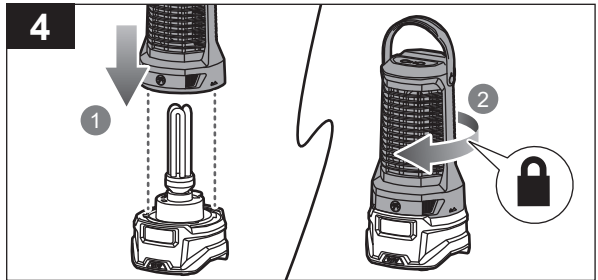
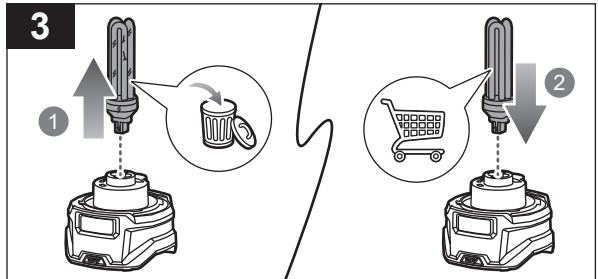
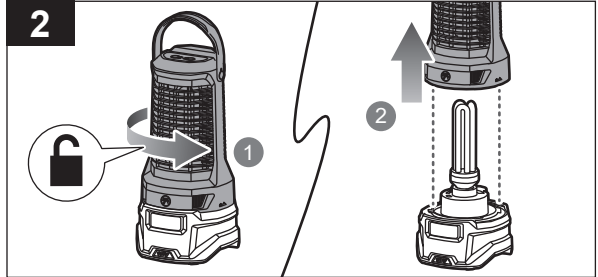
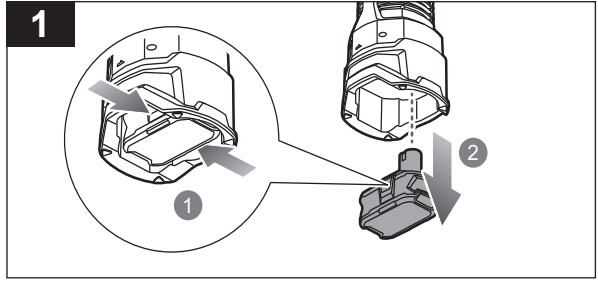


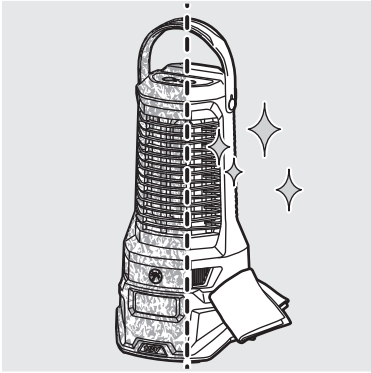
REPLACING THE UV LIGHT BULB

1. Remove the battery pack.
2. Grip the base housing with one hand, and use the other hand to turn the top housing cage counterclockwise and remove the top housing cage.
3. Dispose of the old UV light bulb and replace it with a new one.

NOTE: UV bulb model number - RBZL1

4. Reinstall the top housing cage. Secure it in place by turning it clockwise.





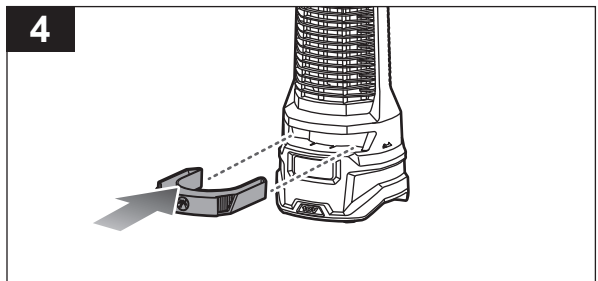
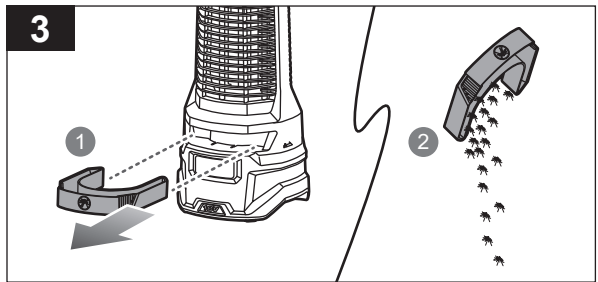
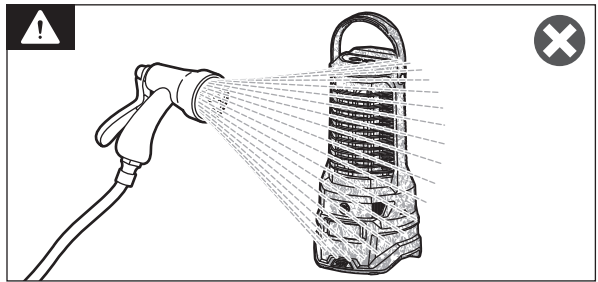
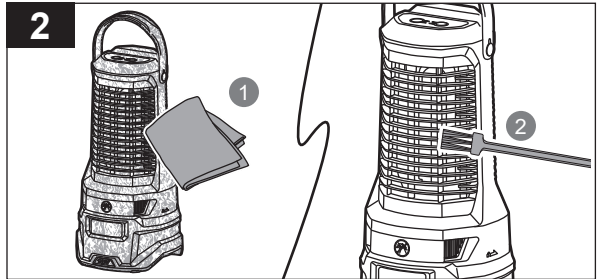
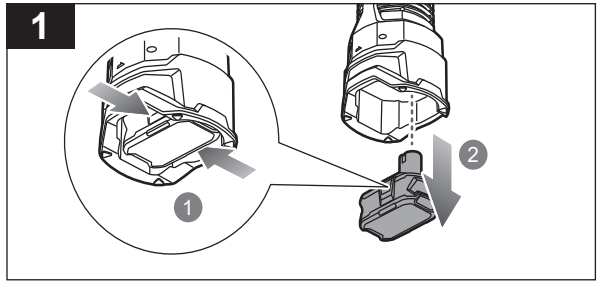
CLEANING THE PRODUCT

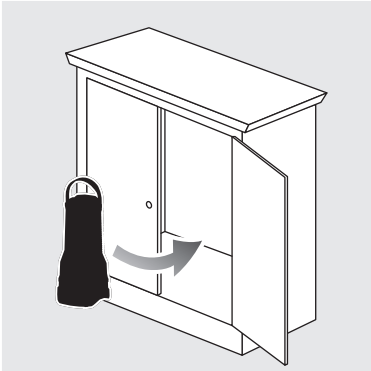
1. Remove the battery pack.
2. Remove all foreign materials from the product with a soft, dry cloth. Remove debris from the top housing cage using a small brush. Allow the debris to fall into the bug collection tray.

NOTE: Use the included cleaning brush to clean the high voltage grid through the top housing cage. Never use the cleaning brush with the battery pack installed and the product turned on.

WARNING: Avoid using solvents when cleaning plastic parts. Most plastics are susceptible to damage from various types of commercial solvents and may be damaged by their use. Never use water to clean the product.

3. Remove the bug collection tray and dispose of the collected debris and insects.
4. Reinstall the bug collection tray.

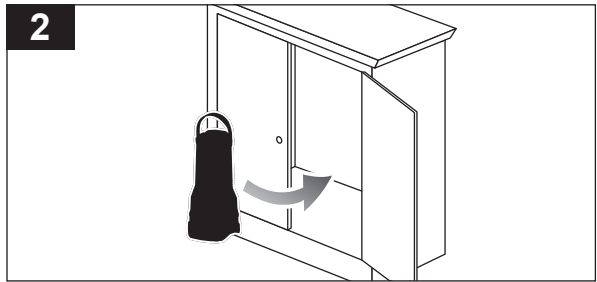
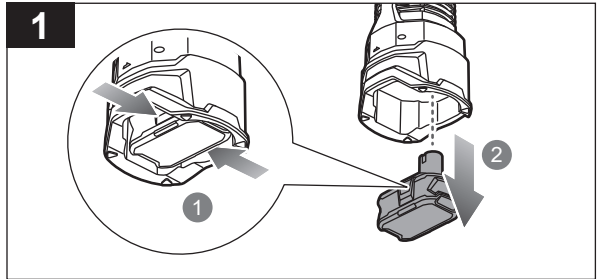
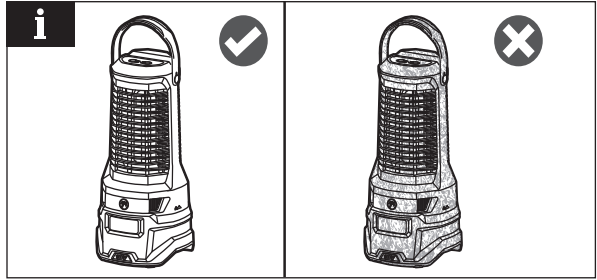




STORING THE PRODUCT

NOTE: Make sure that all foreign materials are removed from the product before storing.

1. Remove the battery pack.
2. Store the product in a cool, dry, and well-ventilated place that is inaccessible to children and away from sources of ignition. Do not store the product outdoors.



PRODUCT SPECIFICATIONS

Bug zapper

Model R18BZL / R18BZL12

Voltage 18 V d.c.

HV grid voltage 2.2~2.6 kV

Weight

Without battery pack 1.2 kg

With included battery pack 1.7 kg

High voltage grid

Height 140 mm

Width 73 mm

LED brightness level

30% 9 lm

60% 18 lm

100% 30 lm

USB type A output (max) 5 V / 2 A

BATTERY AND CHARGER

Model	R18BZL12	R18BZL
-------	----------	--------

Battery pack	RB1820C	–
--------------	---------	---

Charger	RC18115	–
---------	---------	---

Compatible battery packs

RB18L13, RB18L13Z, RB18L15, RB18L15A, RB18L15B, RB18L15C, RB18L20, RB18L20A, RB1820C, RB18L25, RB18L25A, RB1825C, RB18L26, RB18L30, RB18L30A, RB18L40, RB18L40A, RB1840C, RB1840X, RB18L50, RB18L50A, RB1850C, RB1850X, RB18L60, RB18L60A, RB1860X, RB18L90, RB18L90A

REPLACEMENT PARTS

Manufacturer RYOBI

UV bulb RBZL1

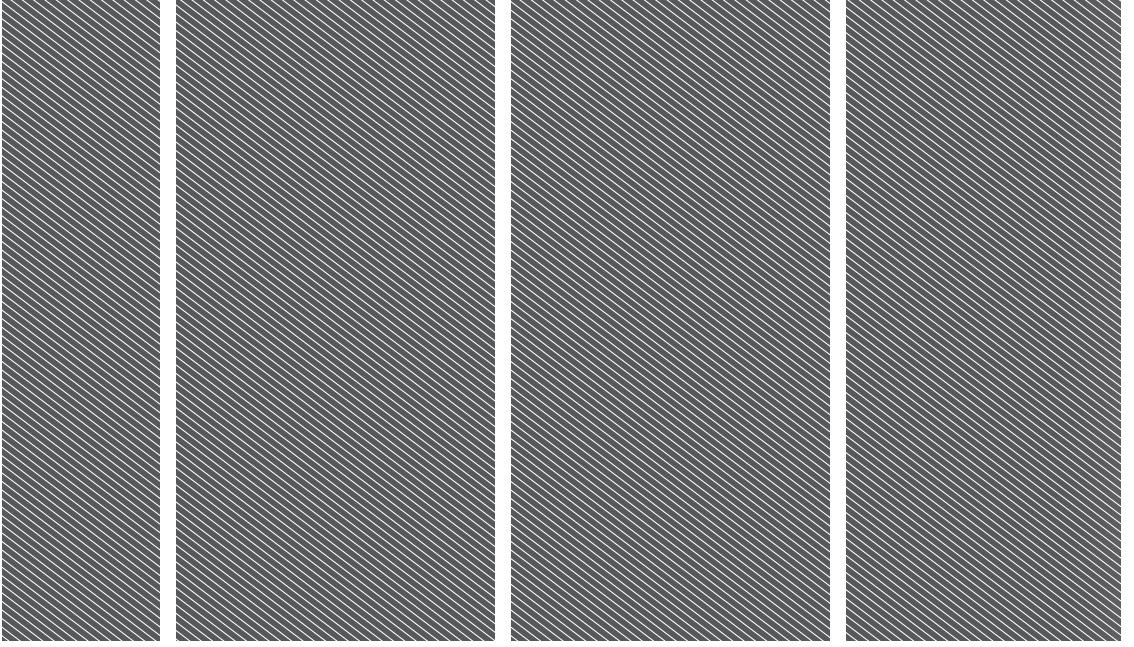
⚠ WARNING! The declared vibration total values and the declared noise emission values given in this instruction manual have been measured in accordance with a standardised test and may be used to compare one tool with another. They may be used for a preliminary assessment of exposure.

The declared vibration and noise emission values represent the main applications of the tool. However, if the tool is used for different applications, used with different accessories, or poorly maintained, the vibration and noise emission may differ. These conditions may significantly increase the exposure levels over the total working period. An estimation of the level of exposure to vibration and noise should take into account the times when the tool is turned off or when it is running idle. These conditions may significantly reduce the exposure level over the total working period.

Identify additional safety measures to protect the operator from the effects of vibration and noise, such as maintaining the tool and the accessories, keeping the hands warm (in case of vibration), and organising work patterns.







Imported by:
Techtronic Industries Australia Pty Ltd
31 Gilby Road, Mount Waverley, VIC 3149
Melbourne, Australia

Techtronic Industries N.Z. Limited
Unit C, 70 Business Parade South,
Highbrook, Auckland 2013, New Zealand

RYOBI is a trade mark of Ryobi Limited, and is used under license.

099244010001-02

