

MIMOSA®



Instruction Manual for Assembly and Usage Outdoor Gas Flame Pit -Matte Black

Important: Please retain these instructions for future reference

Item No. 0676519

Gas Leak Test

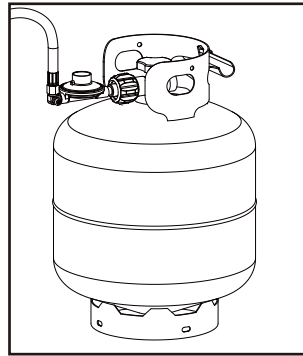
Gas connections on the flame pit are leak tested at the factory prior to shipment. A complete gas tightness check must be performed due to possible mishandling in shipment or excessive pressure being applied to the flame pit gas connections.

1. Make a soap solution of one part liquid detergent and one part water.

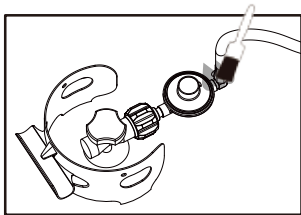


Make sure the control knob on the flame pit is off and the gas valve on the cylinder is off before mixing the soapy solution.

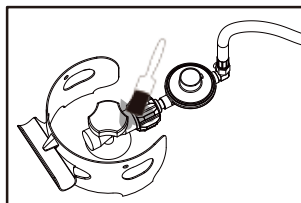
2. Turn on the gas bottle.



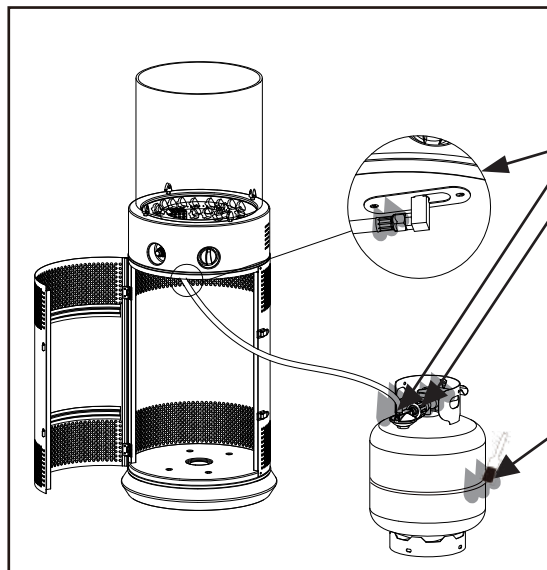
3. Apply the soap solution to the gas connections using a soft bristle brush.



Hose / Regulator connection



Regulator / Cylinder connection



Soap bubbles will appear if there is a gas leak. In case of a leak, turn off the gas supply. Tighten any leaking fittings, then turn the gas supply on and re-check.

If there is a leak anywhere on the gas cylinder, do not use the cylinder. Locate the leaking cylinder outdoors away from sources of ignition, then contact your local gas authority or cylinder exchange provider to arrange disposal.

Warning:

Do not operate the appliance until all gas leaks have been rectified. Never leak test while smoking.

Table Of Contents

Caution	Page1
How to connect and use the new LCC27 LPG Connection	Page2
Flame Pit Stand And Location	Page3
Gas Requirements	Page5
Leakage Test.....	Page5
Operation and Storage	Page6
Cleaning and Care	Page7
Parts and Specifications	Page7
Assembly Parts and Procedures	Page8
Assembly Steps.....	Page9
Trouble Shooting.....	Page15
Maintenance To Solve Flame Extinction.....	Page16
Product Warranty.....	Page17

Caution

PLEASE READ CAREFULLY THE FOLLOWING SAFETY GUIDELINES BEFORE OPERATION.

- This flame pit is not for commercial use.
- Do not use the flame pit for indoors, as it may cause personal injury or property damage.
- Do not place articles on or against this appliance
- Do not use or store flammable materials near this appliance
- Do not spray aerosols in the vicinity of this appliance while it is in operation
- This outdoor flame pit is not intended to be installed on recreational vehicles and/or boats.
- Repair should be done by a qualified service person.
- Improper installation, adjustment, alteration can cause personal injury or property damage.
- Do not attempt to alter the unit in any manner.
- Never replace or substitute the regulator with any regulator other than the factory-suggested replacement.
- Do not store or use petrol or other flammable vapors or liquids in the flame pit unit.
- The whole gas system, hose, regulator, pilot or burner should be inspected for leaks or damage before use, and at least annually by a qualified service person.
- All leak tests should be done with a soap solution. Never use an open flame to check for leaks.
- Do not use the flame pit until all connections have been leak tested.
- Turn off the gas valve immediately if smell of gas is detected.
- Do not transport flame pit while it's operating.
- Do not move the flame pit after it has been turned off until the temperature has cooled down.
- Keep the ventilation opening of the cylinder enclosure free and clear of debris.
- Do not paint the radiant screen, control panel or top canopy reflector.
- Control compartment, burner and circulation air passageways of the flame pit must be kept clean. More frequent cleaning may be required as necessary.
- The gas cylinder should be turned off when the flame pit is not in use.
- Check the flame pit immediately if any of the following occurs:
 - the flame pit does not reach temperature.
 - the burner makes popping noise during use (a slight noise is normal when the burner is extinguished).
 - smell of gas in conjunction with extreme yellow tipping of the burner flames.
- The regulator/hose assembly must be located out of pathways where people may trip over it or in area where the hose will not be subject to accidental damage.
- Any guard or other protective device removed for servicing the flame pit must be replaced before operating the flame pit.
- Adults and children should stay away from high temperature surface to avoid burns or clothing ignition.
- Children should be carefully supervised when they are in the area of the flame pit.
- Clothing or other flammable materials should not be hung on the flame pit or placed on or near the flame pit.
- This appliance shall not be installed or used indoors
- If there is any evidence of excessive abrasion or wear, or if the hose assembly is damaged, do not operate the appliance until a replacement hose assembly has been obtained from your authorized service provider. Ensure that the replacement hose assembly is as specified by the manufacturer.
- Due to radiant heat Certain materials or items may be seriously damaged if stored under or near this appliance while it is in operation.
- Remove any packaging/transit protection prior to operating this appliance.
- DO NOT INSTALL OR USE THIS APPLIANCE INDOORS
- DO NOT MODIFY THIS APPLIANCE
- DO NOT USE AN ADAPTOR AT THE CYLINDER CONNECTION
- INSPECT THE HOSE ASSEMBLY BEFORE EACH USE OF THE FLAME PIT

How to connect and use the new LCC27 LPG Connection

Introduction

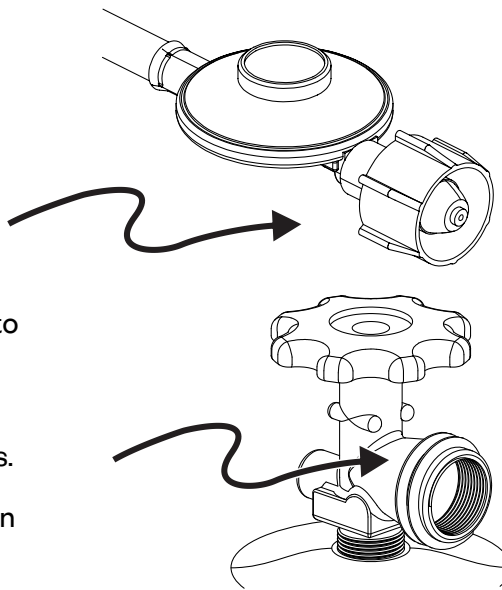
This product is fitted with the new LCC27 regulator connection, recently introduced by the Australian Government.

Its easily identified by the large plastic hand wheel.

This new LCC27 regulator can only be fitted to an LPG cylinder with the new LCC27 valve or a QCC valve, as shown right.

Its easily identified by the tall external threads.

If your LPG cylinder is not compatible, you can either exchange it or buy a new cylinder.



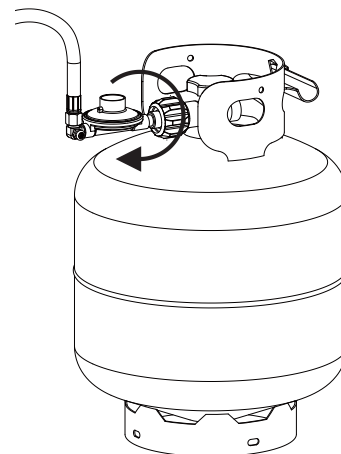
Benefits of the new LCC27 cylinder connection

- Gas will NOT flow out of the cylinder until you connect the LCC27 regulator, so it's a much safer connection.
- A built in excess flow device will limit the gas flow if the hose splits open.

How to connect the LCC27 regulator to an LPG Cylinder

Turn the hand wheel clockwise until the handwheel stops turning.

Open the cylinder valve and conduct the gas leak check using soapy water (as explained in this manual).

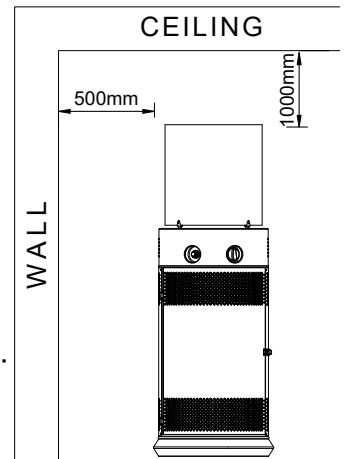


Troubleshooting the LCC27 Connection

Fault	Possible cause	Solution
No gas flow	Hand wheel is not fully tightened	Tighten the hand wheel
No gas flow	Excess flow device has activated accidentally. This can occur if a burner valve is open before connecting the regulator to the cylinder.	Ensure that none of the burner valves are open. Turn off the gas at the cylinder valve, unscrew the regulator, then reconnect.

Flame Pit Stand and Location

- The flame pit is for outdoor use only. Always ensure that adequate fresh air ventilation is provided.
- Always maintain proper clearance to combustible materials, i.e. top 1000 mm and sides 500 mm minimum.
- **Flame Pit Must be placed on level firm ground.**
- Never operate flame pit in an explosive atmosphere like in areas where petrol or other flammable liquids or vapors are stored.
- This appliance shall only be used in an above ground open-air situation with natural ventilation, without stagnant areas, where gas leakage and products of combustion are rapidly dispersed by wind and natural convection.
- This appliance shall be used only in an outdoor area and shall not be used in a building, garage or any other enclosed area unless the enclosure meets the requirements outlined in this instruction manual.



- **Any enclosure in which the appliance is used shall comply with one of the following:**

An enclosure with walls on all sides, but at least one permanent opening at ground level and no overhead cover.

Within a partial enclosure that includes an overhead cover and no more than two walls.

Within a partial enclosure that includes an overhead cover and more than two walls, the following shall apply:

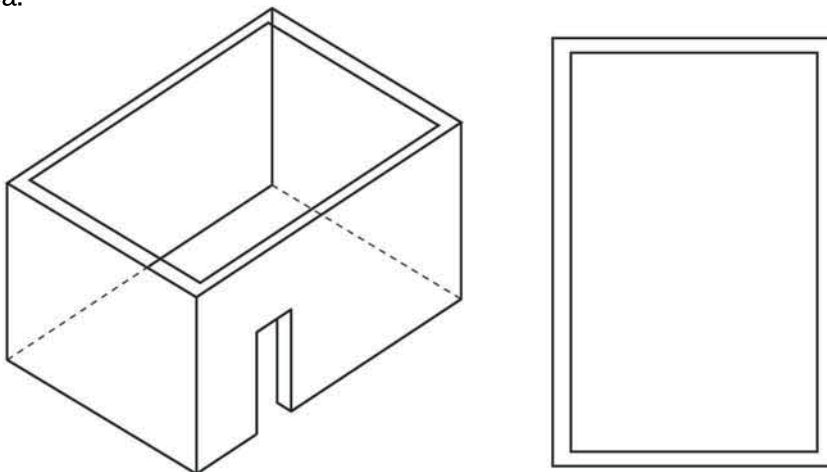
- **at least 25% of the total wall area is completely open, and**
- **at least 30% of the remaining wall area is open and unrestricted.**

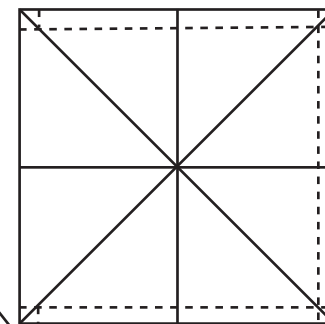
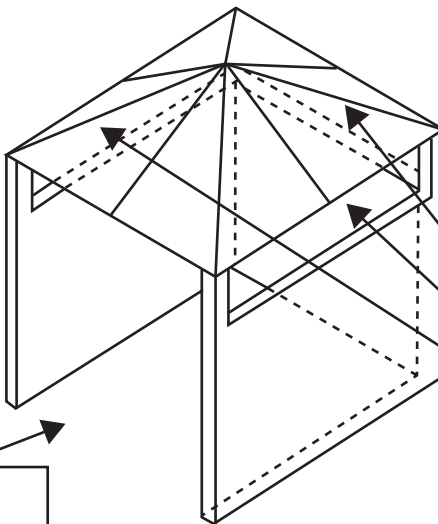
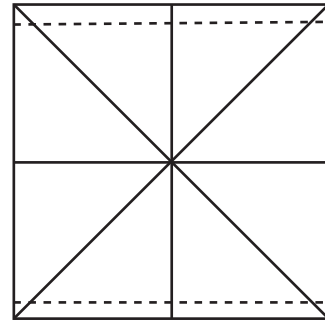
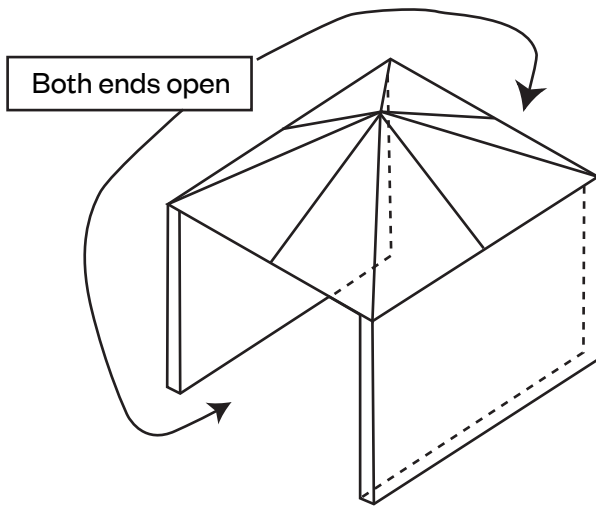
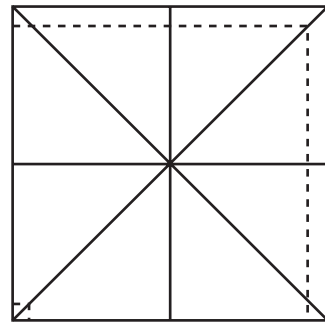
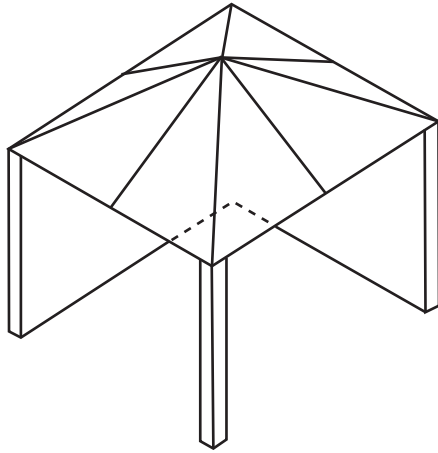
In the case of balconies, at least 20% of the total wall area shall be and remain open and unrestricted.

DIAGRAMMATICAL REPRESENTATIONS OF OUTDOOR AREAS

(Informative)

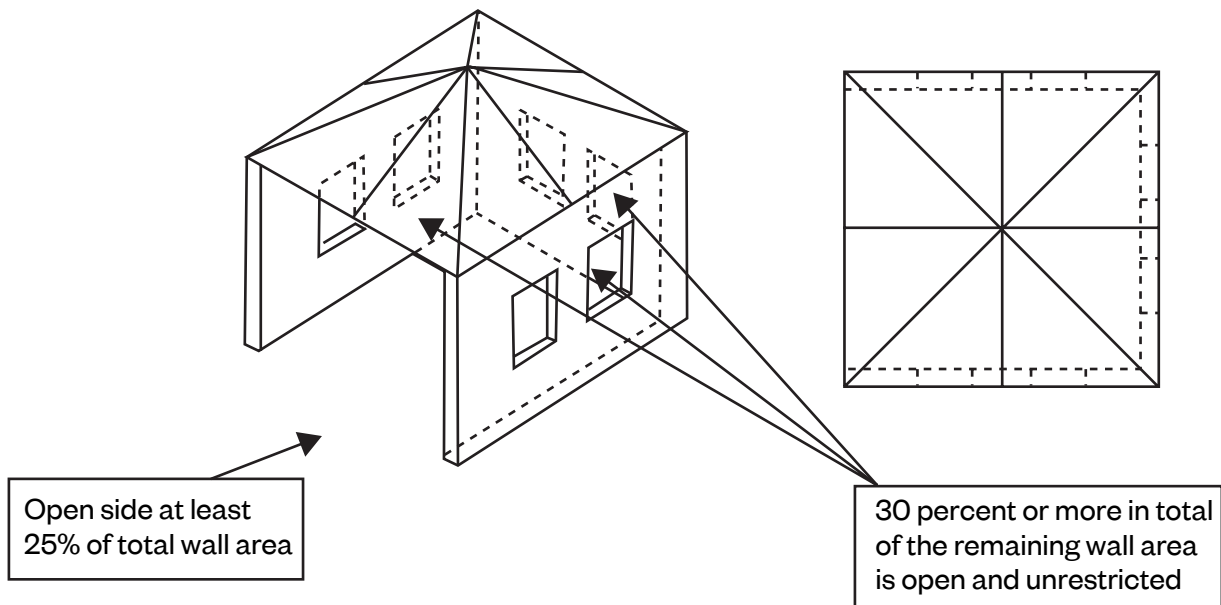
The following figures are diagrammatical representations of outdoor areas as described above. Rectangular areas have been used in these figures - the same principles apply to any other shaped area.





Open side at least 25% of total wall area

30 percent or more in total of the remaining wall area is open and unrestricted



Gas Requirements

- Refer to the gas type label for confirmation of the gas type to be used with your appliance.
- Use only the pressure regulator and hose assembly supplied with this appliance.
- A dented, rusted or damaged gas cylinder may be hazardous and should be checked by your cylinder supplier. Never use a gas cylinder with a damaged valve connection.
- Never connect an unregulated gas cylinder to the flame pit.
- This appliance is NOT suitable for use with a fixed gas supply system. Use ONLY a 9kg gas cylinder.

Leakage Test

- Gas connections on the flame pit are leak tested at the factory prior to shipment. A complete gas tightness check must be performed due to possible mishandling in shipment or excessive pressure being applied to the flame pit.
- Make a soap solution of one part liquid detergent and one part water.
- The soap solution can be applied with a spray bottle, brush or rag. Soap bubbles will appear in case of a leak.
- The flame pit must be checked with a full cylinder.
- Make sure the safety control valve is in the OFF position.
- Apply the soap solution to the gas connections.
- Turn the gas supply ON.
- In case of a leak, turn off the gas supply. Tighten any leaking fittings, then turn the gas supply on and recheck.
- Do not operate the appliance until all gas leaks have been rectified.
- Never leak test while smoking.

Operation and Storage

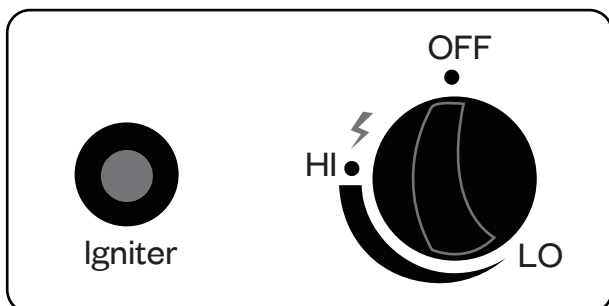
Warning: User shall pour Glass rocks fully to cover the whole burner before operation.

TO TURN ON THE FLAME PIT

1. Turn on the valve on the gas cylinder.
2. Do not look over the fire place while lighting. Press and hold the ignition button to activate the spark igniter.
3. While activating the spark igniter, push and turn the control knob to high and keep the knob pressed in to keep gas flowing to the burner.
4. If ignition does not occur within 5 seconds, release the knob and turn to the off position, wait a few seconds for gas to dissipate before reattempting the lighting procedure. If the burner does not light after 2 attempts, wait 5 minutes before attempting to light the burner.
5. Release the control knob 10 seconds after ignition. At which time the burner should remain alight.
6. If still unable to light the burner turn the control knob to the "OFF" position, turn off the valve on the gas cylinder, disconnect and remove the gas cylinder and return the flame pit to the place of purchase for a replacement.

TO TURN OFF THE FLAME PIT

1. Turn the control knob to HI position.
2. Press and turn the control knob to OFF position.
3. Turn off the valve on the gas cylinder.



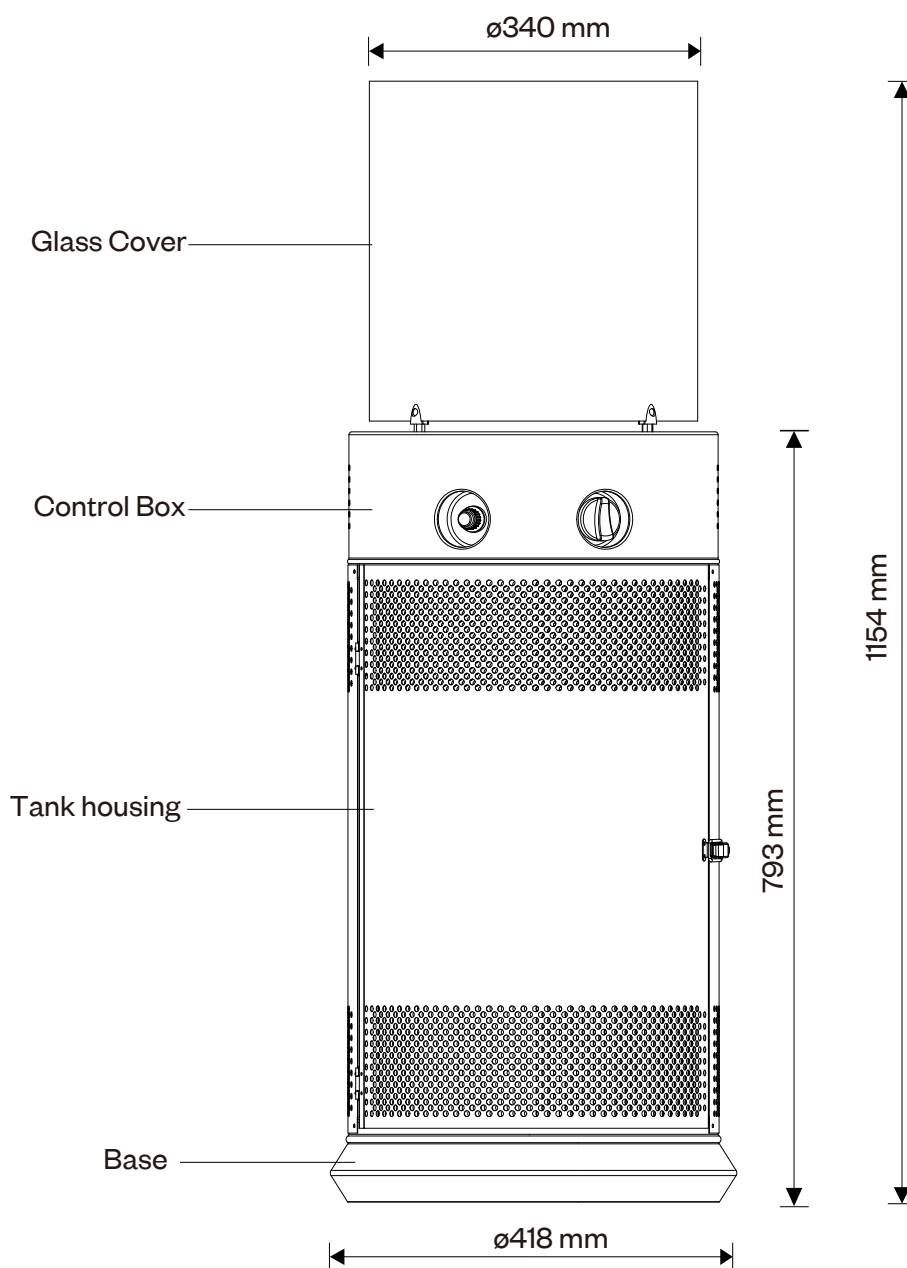
Storage

1. Always close the gas valve of the gas cylinder after use or in case of a disturbance.
2. Disconnect the regulator from the gas cylinder valve.
3. Check the tightness of the gas valve for damage. If you suspect damage, have it changed by your gas dealer.
4. Never store gas cylinders underground or in places without adequate air ventilation.
5. There is no limitation on the storage of appliances indoors provided that the cylinder is removed from the appliance; and
6. Storage of an appliance indoors with the cylinder attached is only permitted if the size of the cylinder complies with AS/NZS 1596; otherwise cylinders must be stored outdoors in a well-ventilated area and out of reach of children.

Cleaning and Care

- Wipe off powder coated surfaces with soft, moist rag. Do not clean flame pit with cleaners that are combustible or corrosive.
- Remove debris from the burner to keep it clean and safe for use.

Parts and Specifications



A. Construction and characteristics

- Transportable terrace/garden flame pit
- Gas hose connections with screw caps
- Stainless steel burner ring
- Heat emission from glass guard

B. Specifications

- For outdoor use only
- Factory set for use with Propane gas.
- Nominal gas consumption at high/lower setting: Propane 33/18.0MJ/h
- Weight: Metal w/ powder coating 25.4 kgs.
- Height: 115.4 cm including stand
- With AGA, CE and CSA certificates
- Gas inlet fitting: 1/4" inverted flare type with internal O-ring seal.

C. Table of openings

Model	Gas inlet pressure	Main opening
Propane	2.75KPa	1.75 mm

Assembly Parts and Procedures

Tools needed:

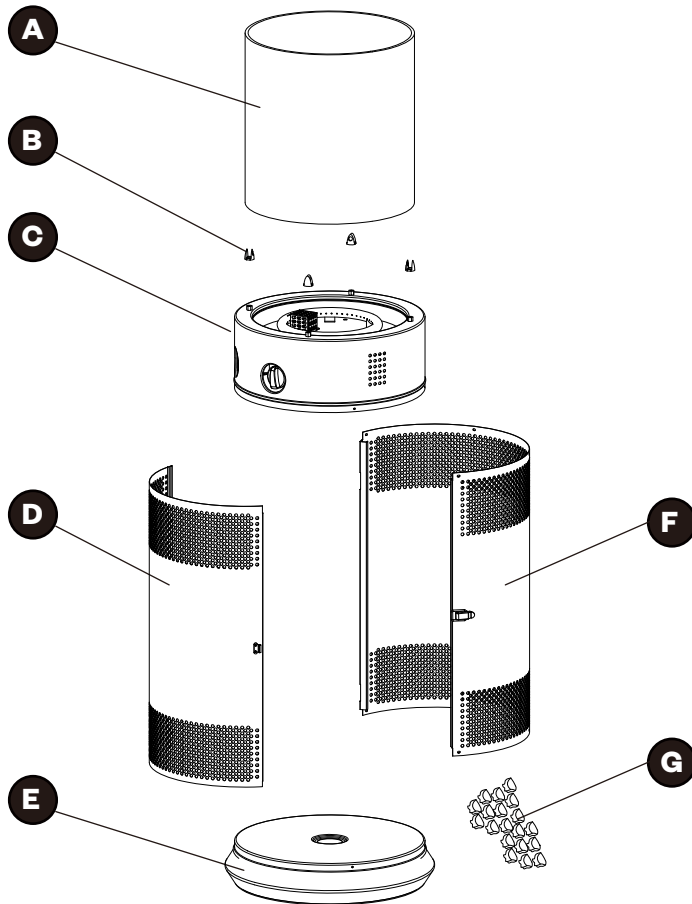
- Open end wrench 10 & 13 mm
- Adjustable opening wrench (2) 20 cm long
- Slip joint pliers 23 cm long
- Philips screwdriver w/ medium blade
- Spray bottle of soap solution for leakage tes

Parts supplied:

- 4pcs Self Taping Screws for burner head and tank housing body
- 4pcs self taping screws for tank housing body and base
- 4pcs M5x10 screws for glass holders and burner assembly
- 4pcs M8x6 screws for glass holders and glass guard
- Glass rocks for burner assembly
- Hose and regulator assembly

Assembly Parts

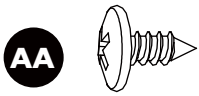
Parts List:



PART	DESCRIPTION	QUANTITY
A	Glass guard	1
B	Glass holder	4
C	Burner Assembly	1
D	The front door	1
E	Stand base	1
F	Tank housing body	1
G	Glass Rocks (One Pack)	1

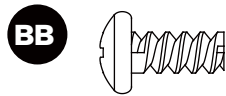
Assembly Parts

HARDWARE CONTENTS (shown actual size)



AA

Self Taping
Screw
Qty. 8



BB

Screw M5 X 10
Qty. 4



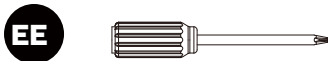
CC

Screw M8X6
Qty. 4



DD

AA Battery (1.5 V)
Qty.1



EE

Philips
screwdriver
Qty. 1

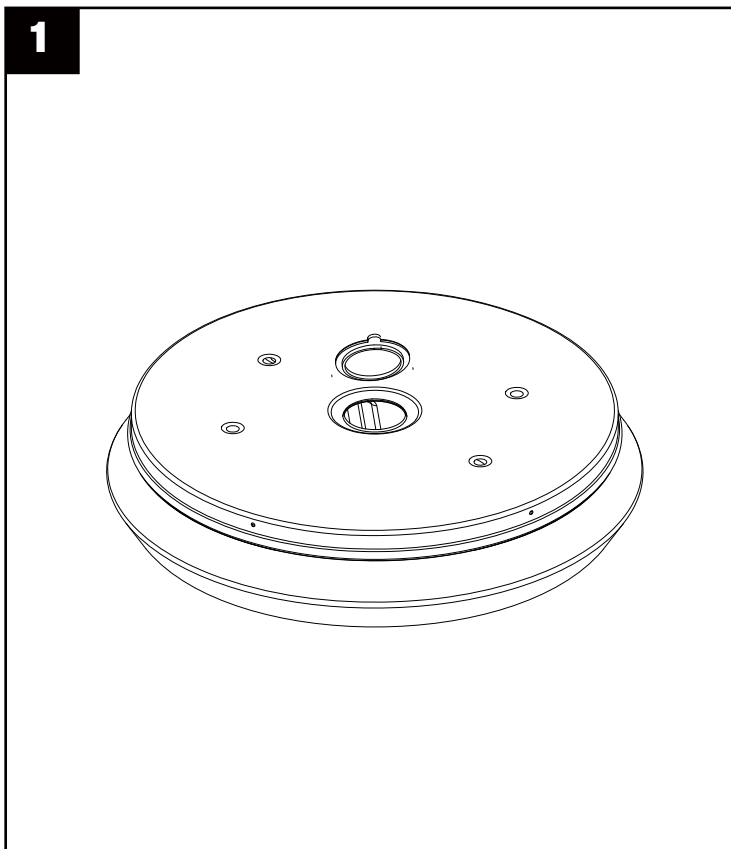
Assembly Steps

1-1. Remove white cap from the base by pulling on the tab of the cap.

1-2. FILL WITH FINE GRADE SAND OR SOIL AND WATER. AFTER FULL WITH SAND/SOIL - TOP UP WITH WATER.

(sand can be purchased from most hardware stores)

1-3. Replace white cap and ensure it is secure.

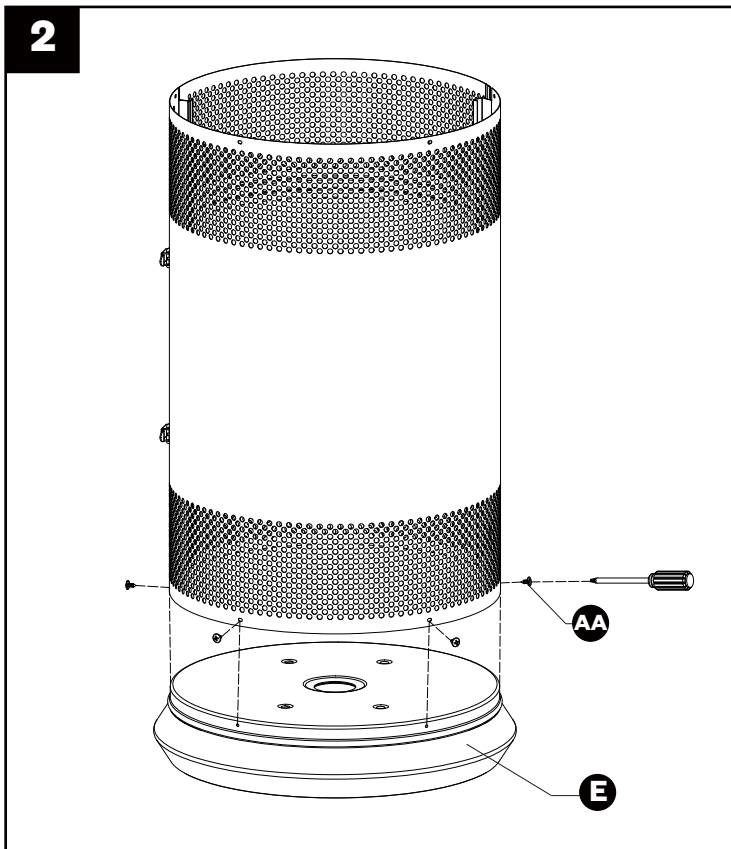


2. Attach tank housing to base with 4 pcs Self Taping Screws.

Hardware Used

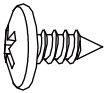
AA Self Taping Screw x 4

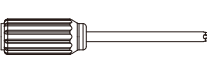
EE Philips screwdriver x 1

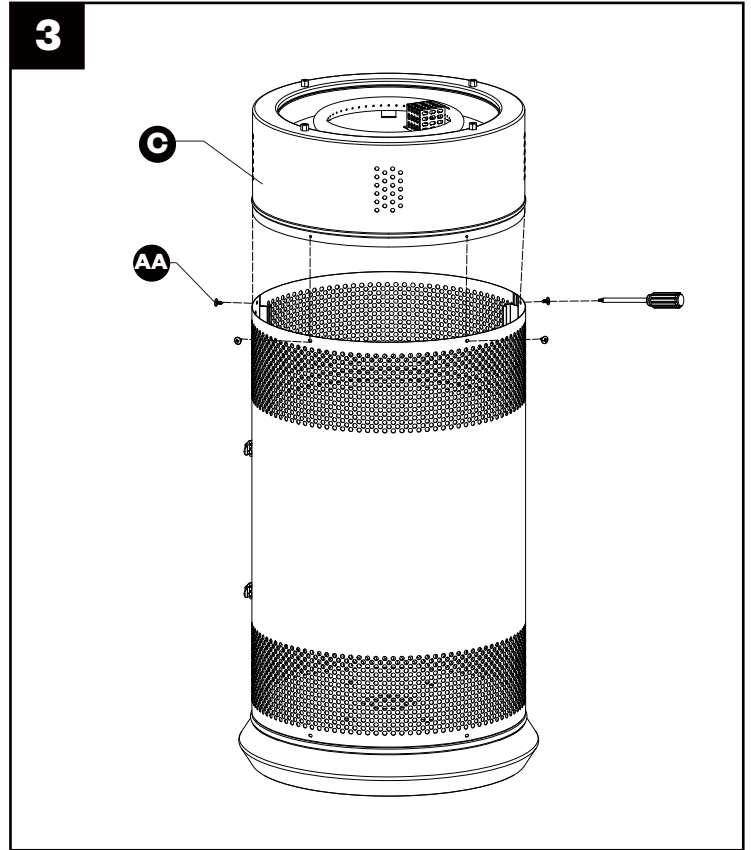


3. Attach the burner assembly to tank housing with 4pcs Self Taping Screws.

Hardware Used

AA Self Taping Screw  x 4

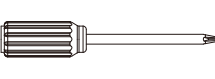
EE Philips screwdriver  x 1

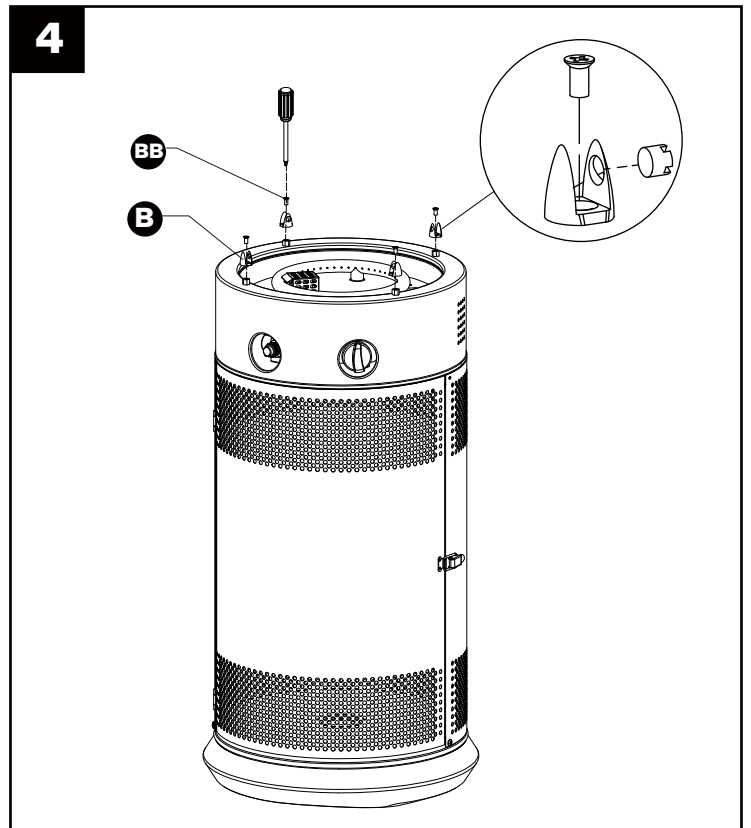


4. Install the glass holders with 4 pcs M5X10 screws.

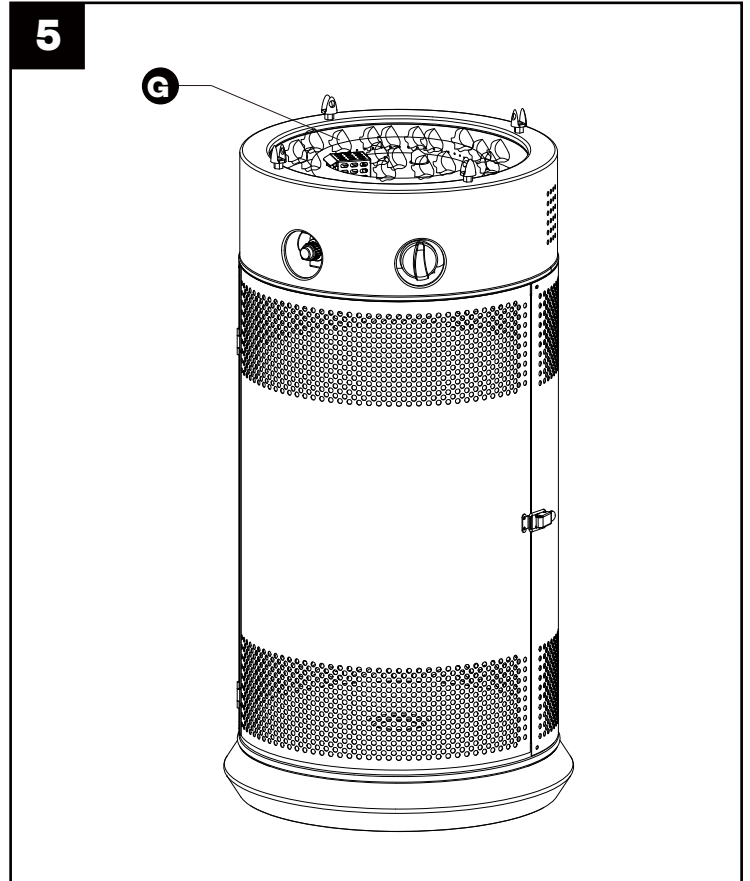
Hardware Used

BB Screw M5 X 10  x 4

EE Philips screwdriver  x 1

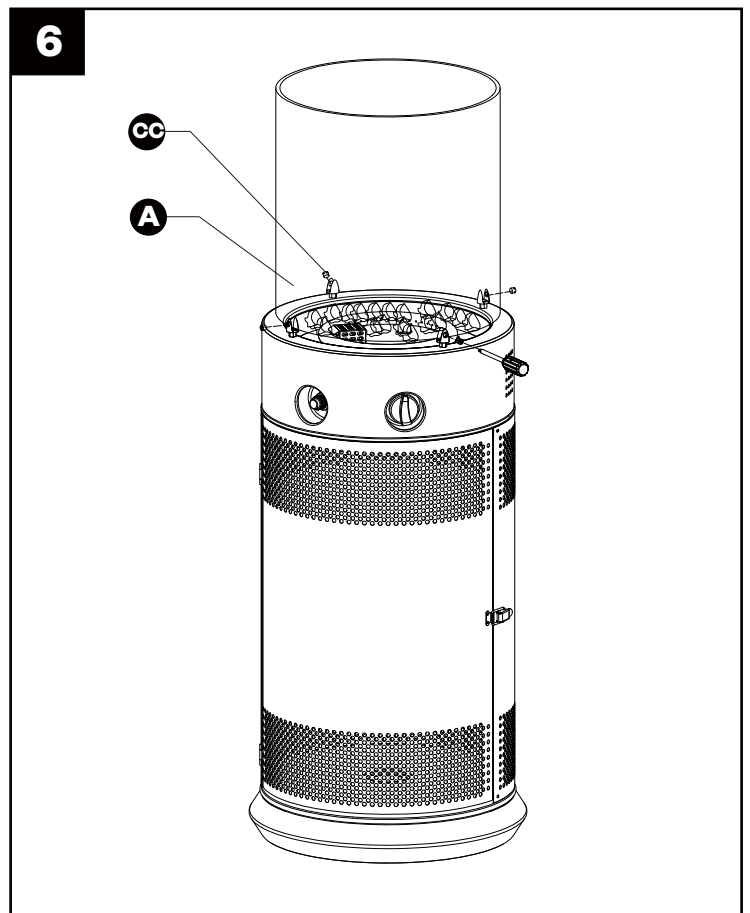


5. Put glass rocks above the burner.




6. Install the glass guard into the 4pcs glass holders and tighten the fastening screws of the glass holders with a screwdriver.

THE GUARD IS FITTED TO THIS APPLIANCE TO REDUCE THE RISK OF FIRE OR INJURY FROM BURNS AND NO PART OF IT SHOULD BE PERMANENTLY REMOVED. FOR PROTECTION OF YOUNG CHILDREN OR THE INFIRM, A SECONDARY GUARD IS REQUIRED.

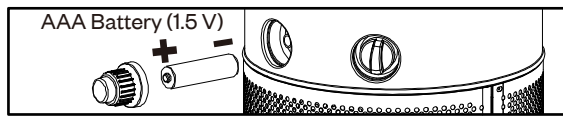


Hardware Used

CC Screw M8X6  x 4

EE Philips screwdriver  x 1

7-1. Unscrew the igniter button, then install the battery and tighten igniter button.



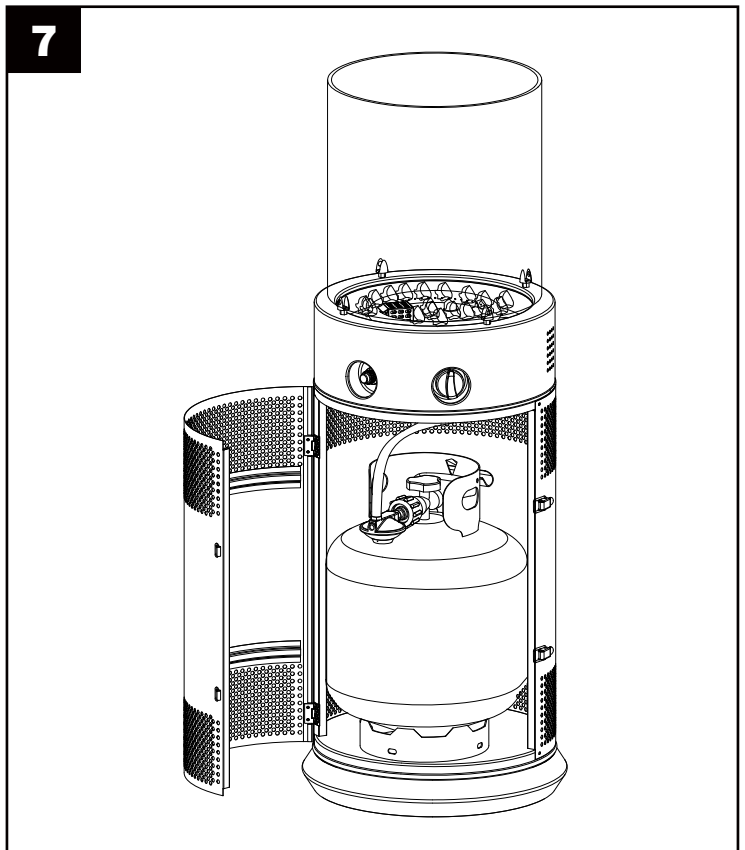
7-2. Open the door of tank housing.

7-3. Attach the regulator to the gas cylinder and tighten with wrench if fitted with a nut, or tighten by hand if fitted with a hand wheel.

7-4. Then leak test the gas inlet and gas cylinder connections as explained on page 5.

7-5. Put the gas cylinder into the tank housing, then close the door.

Note: The ignitor is powered by a small battery, if the pilot can't be lighted, the problem may be the battery which is exhausted. Please replace the battery(DC 1.5V).



PROBLEMS CHECK LIST

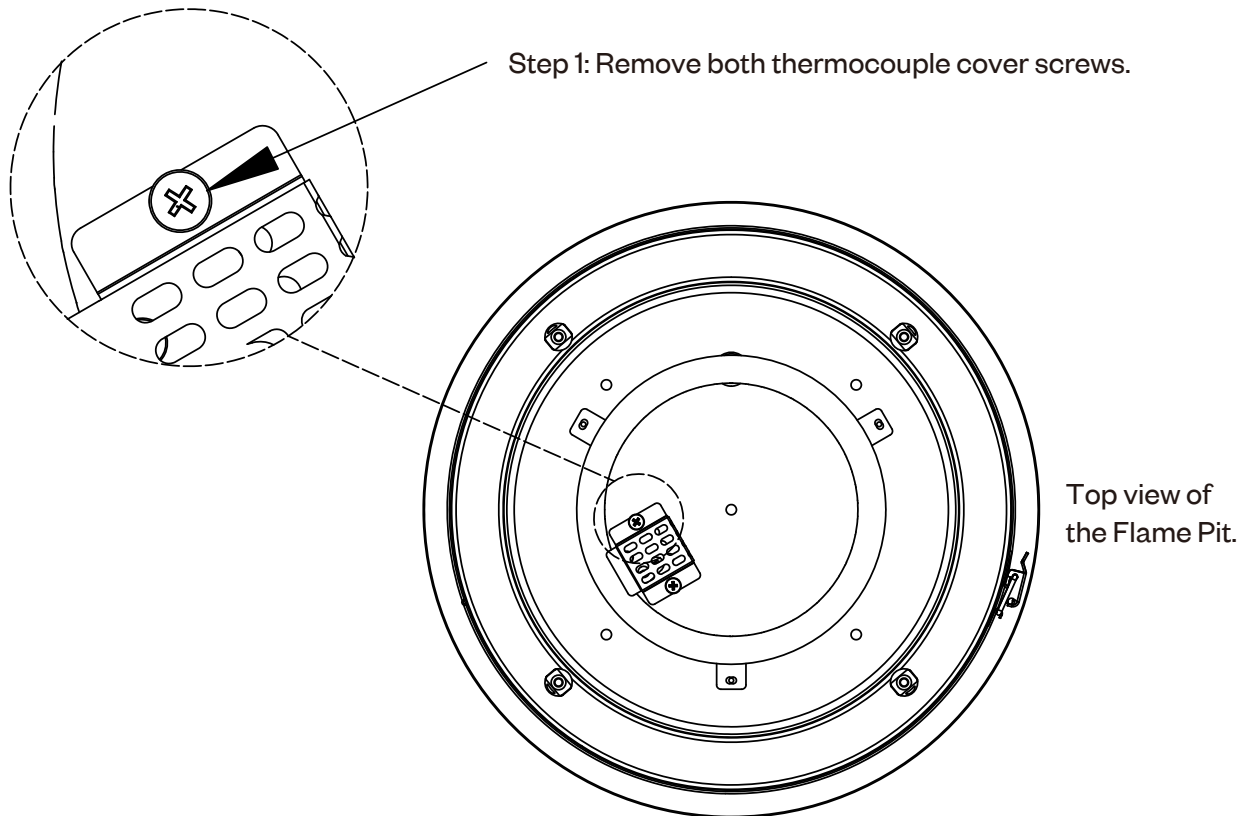
Trouble Shooting

Problem	Possible cause	What you can do (if these do not work, contact an authorised technician)	What ONLY an authorised service technician can do
● Burner will not light	Gas valve may be OFF Tank fuel empty Opening blocked Loose connections Low gas pressure Thermocouple bad Not in correct location	Turn the gas valve ON Check all fittings Replace cylinder with a new cylinder	Refill gas cylinder Remove and clean Replace thermocouple
● Burner will not stay on	Loose connections Thermocouple bad Gas leak in line Lack of fuel pressure Tank near empty	Tighten connections Check connections	Clean dirty area Replace thermocouple Refill gas cylinder
● Burner flame is low	Supply hose is bent or twisted	Straighten hose and perform leak test on hose	

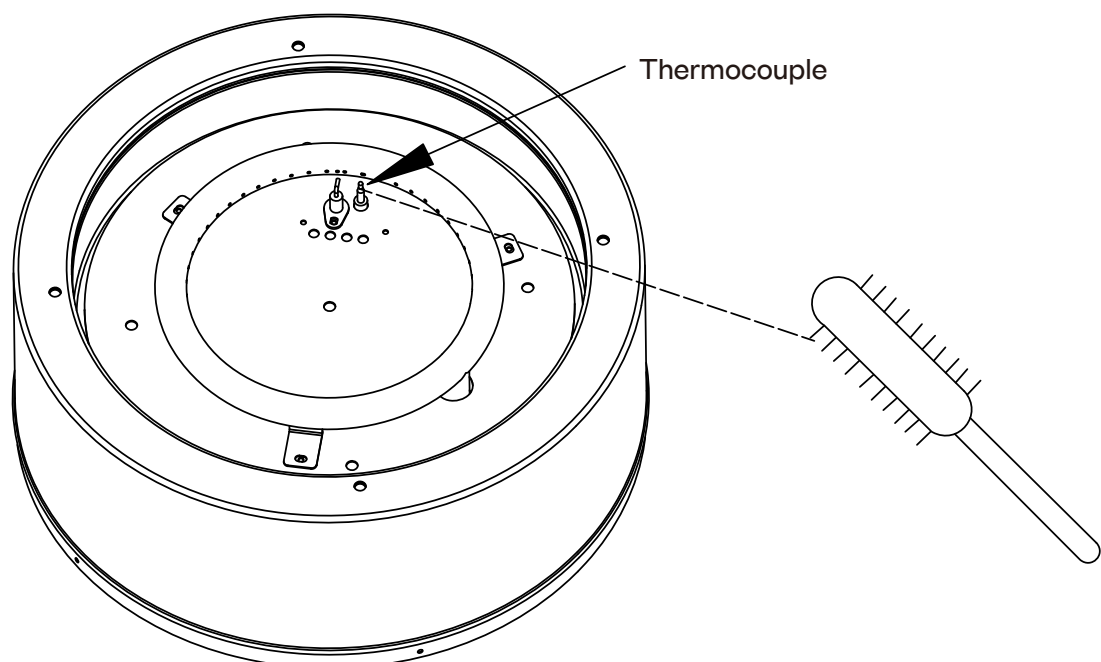
If the problem cannot be resolved by following the above checking list, don't try to modify this appliance. Contact the supplier or distributor for authorised service.

Maintenance To Solve Flame Extinction

If your flame pit ignites as normal but the flame is extinguished shortly after ignition, or the flame drops out intermittently, the thermocouple may be covered in a light coating of soot. The following steps will assist you to remove the soot and solve this problem.



Step 2: Gently use a soft wire brush or rag to remove the black soot covering on the thermocouple, but be careful not to crack the brittle white ignition electrode. Reassemble the thermocouple guard, then test the flame pit operation to confirm the problem has been solved.



Product Warranty

Thank you for purchasing one of our quality Mimosa products. Please keep your receipt as proof of purchase, as this will authenticate your warranty. Any claim under this warranty must be made within 12 Months of the date of purchase of the product.

To make a claim under the warranty, take the product (with proof of purchase) to any Bunnings store.

See www.bunnings.com.au or bunnings.co.nz for store locations)

Bunnings bears reasonable, direct, expenses of claiming under the warranty. You may submit details and proof to our store for consideration.

The warranty covers manufacturer defects in materials, workmanship and finish under normal use.

This warranty is provided in addition to other rights and remedies you may have under law: our goods come with guarantees which cannot be excluded under the Australian Consumer Law or Consumer Guarantees Act 1993 (NZ). You are entitled to replacement or refund for a major failure and to compensation for other reasonably foreseeable loss or damage. You are also entitled to have the goods repaired or replaced if the goods fail to be of acceptable quality and the failure does not amount to a major failure.

The warranty excludes damage resulting from product misuse or product neglect. The warranty covers domestic use only and does not apply to commercial applications.

This warranty is given by Bunnings Group Limited ABN 26 008 672 179,
Botanicca 3 Level 2 East Tower 570 Swan Street, Burnley, VIC 312,
e-mail: CustomerSupport@bunnings.com.au
Or call our Customer Support Team – Ph.1800 797 586

This warranty is given by Bunnings NZ Limited: Postal address: PO Box 14436,
Panmure, Auckland 1741,
e-mail: OnlineEnquiries@bunnings.co.nz
Or call our Customer Support Team – Ph.1800 797 586