

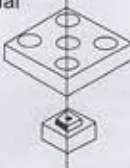



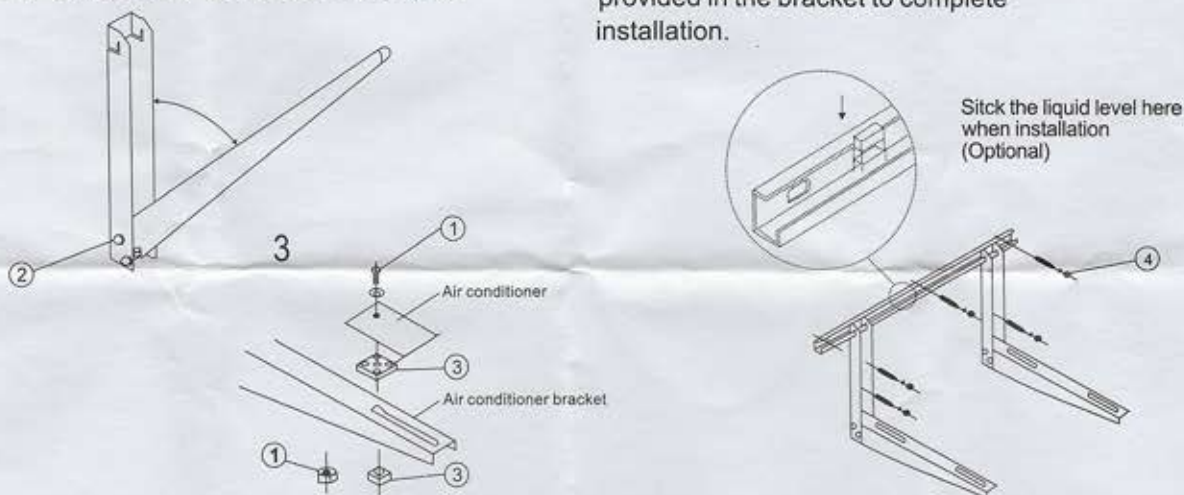
Instruction

1. Bill of fittings

| | | | |
|---|--|---|---|
| <p>①</p> <ol style="list-style-type: none"> 1. Fixing bolt for fastening the out door 2. Size: M8x30mm 3. Optional  | <p>②</p> <ol style="list-style-type: none"> 1. Bolt for fastening the hanging plate and side plate 2. For some models the bolts has been preinstalled in factory  | <p>③</p> <ol style="list-style-type: none"> 1. Anti-vibration to mounts 4pcs Size: 40x40x8 mm 2. M8 plastic nut:4pcs 3. Optional  | <p>④</p> <ol style="list-style-type: none"> 1. Installation bolt for fastening to the wall 2. Size: M8x80 mm (Mach 1-2HP A/C 5pcs) (Mach 2-3HP A/C 6pcs) 3. Optional  |
|---|--|---|---|

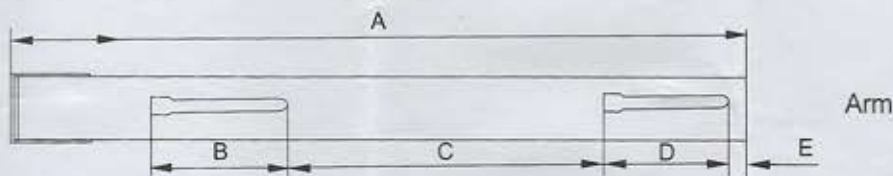
2. Extend the bracket

4. Fix bracket to the wall using the holes provided in the bracket to complete installation.



PS: Please check and make sure connecting screws should be tightened on the bracket after finished installation

SIZES



| Match A/C | unit | A | B | C | D | E |
|------------------------|------|-----|-----|-----|----|----|
| 1-2 HP(9000-18000BTU) | mm | 450 | 103 | 165 | 73 | 15 |
| 2-3 HP(18000-24000BTU) | mm | 550 | 103 | 235 | 95 | 15 |

- Note:
1. Ensure that the wall bracket is mounted properly to handle applied loads as wall construction may vary.
 2. The wall bracket must be securely fixed to wall with all screws fastened tightly.
 3. Do not make any modification to bracket assembly or fixings
 4. The picture is for reference only, Product should base on real object.