

# Mondella

MAESTRO  
CLASSIC STYLE

## MAESTRO LEVER HANDLE BASIN MIXER

- Matte Black Finish.
- 35mm Cartridge.
- Manufactured to Australian Standards AS/NZS3718, WMKA21979 DR ApprovalMark.
- Fitted with Approved Water Saving Devices. WELS Lic no.1101.

Item Number: 5004146

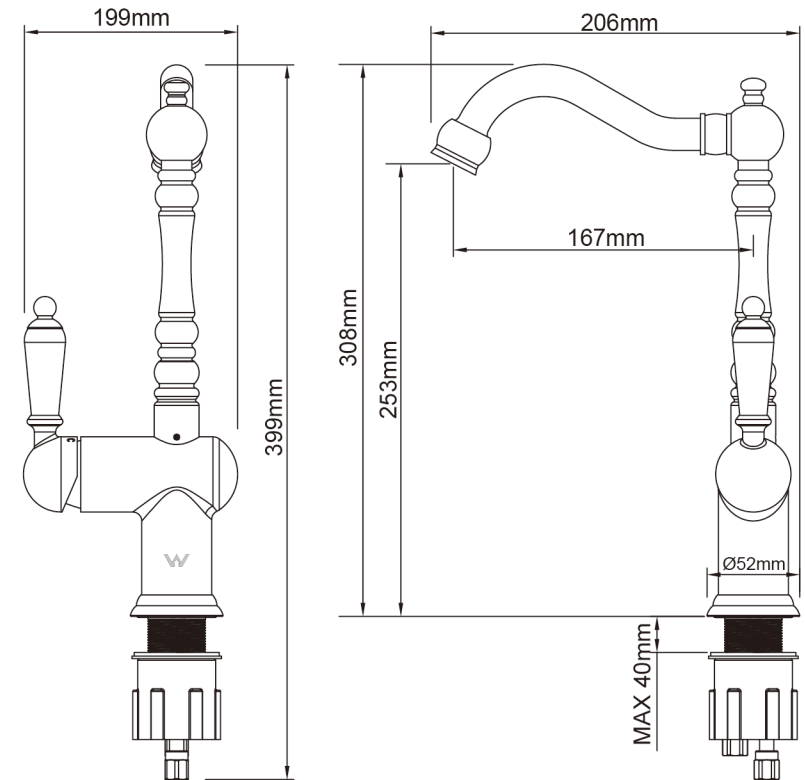


AS/NZS3718  
WMKA21979 DR  
ApprovalMark



In accordance with AS/NZS 6400  
Licence No. 1101  
Kinetic Sourcing Group Ltd

# 10 YEAR WARRANTY\*



5004146-FLV3  
12/07/18

\* refer to [www.mondella.com.au](http://www.mondella.com.au) for full warranty details

All dimensions in millimetres (mm) and subject to manufacturing tolerances.