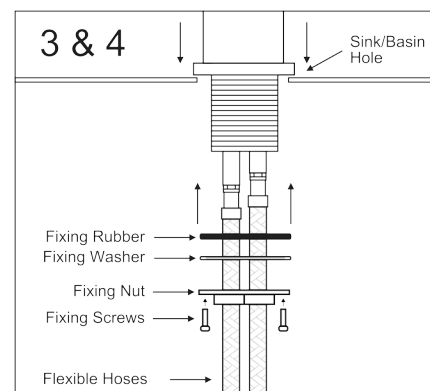
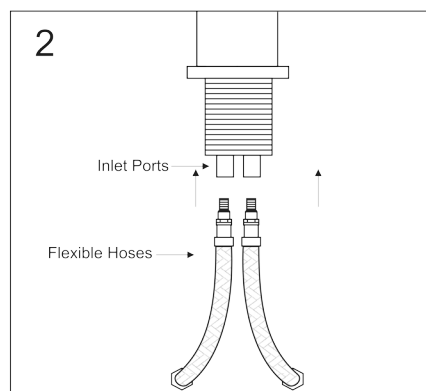


1. Remove fixing nut, rubber, and washer from the base of the mixer.



2. Firmly tighten the flexible hoses into the inlets, being careful to avoid damage to the O-ring seals. If the hoses have red and blue indicators make sure they are connected to the correct inlet ports in the mixer.
3. Feed the flexible hoses through the sink/basin hole, each end alternatively.
4. Secure the mixer onto the sink/basin by tightening the fixing nut onto the threaded body area with rubber and washer in place. Install and tighten the fixing screws to lock the fixing nut in place.
NOTE: Handle not to be used to align mixer in centre position after tightening of fixing nut. Nut must be loosened to centre mixer with handle functions and sink/basin.
5. Connect the flexible hoses to the supply line, making sure the hot water is connected to the hot water hose.
Ensure the flexible hoses are not stretched, kinked or subject to abrasion. Do not expose the flexible hoses to naked flames or corrosive agents of any kind.
6. Prior to introducing the mains water supply, open the lever handle in the mixer position, midway between full hot and full cold. Remove the aerator from the end of the outlet, and then introduce the mains water to thoroughly flush the supply lines and mixer.
7. Reinstall the aerator.
8. Check all joints for leaks.

NOTE: Warranty claims WILL NOT be honoured where the ceramic cartridge has malfunctioned due to the presence in the water supply of:
copper tube pieces, sand or dirt or stones, thread tape, other objects not normally present in potable water supplies, water pressure exceeding 500kpa.

NOTE: WELS approved flow restrictors are fitted in place of a standard aerator. This mixer should not be attached via the end of the spout to any additional water control device e.g. dishwasher, water filter.

WORKING SPECIFICATIONS

In accordance with Australian standards requirements it is recommended that all tapware be installed by a licensed plumber. Please refer to the warranty card for service agreement.

- * Hot and cold water inlet pressures should be equal.

Inlet pressure range: 150-500kPa.

Pressure limiting valves should be installed where water pressure exceeds 500kPa.

NOTE: As per AS/NZS 3500.1-2015 (Clause 3.3.4) on new installations the maximum operating pressure at any outlet within a building must not exceed 500kPa.

- * All pipework must be thoroughly flushed prior to installation, as foreign materials may block the flow regulating device and reduce the flow of water. Aerator insert housing must be re-tightened to prevent removal by hand.
- * This mixer has a low flow rate and may not be suitable for connection to some Instantaneous Gas Water Heaters, some Tempering Valves, some Solar Water Heaters & some Thermostatic Mixing Valves. Check with the manufacturer of these products.
- * Not recommended for gravity feed systems, tank water systems or bore water systems.
- * Isolating stop taps must be fitted to the hot and cold water supply connections in accordance with local authority installation codes.

CARING FOR YOUR PRODUCT

- * Under no circumstances should you install tapware using acetone silicones.
- * Never use harsh detergents or abrasive cleaners, as these will scratch the surface. Using a soft dry cloth or a soft cloth with warm soapy water is recommended.
- * Where your tapware remains dry in use, a soft cloth can be used to remove surface dust. Alternatively, a wipe over with warm soapy water is all that is required to maintain the finish in perfect condition for a lifetime of use.
- * Use of wax based furniture cream should be avoided as these can result in a build up of deposits, which could detract from the appearance.
- * Do not use undue pressure and wipe in one direction only.
- * Flexible hoses may become damaged if exposed to caustic or corrosive substances/environments during installation or cleaning, such damage will not be covered by warranty. We recommend that flexible hoses are replaced every 5 years.