

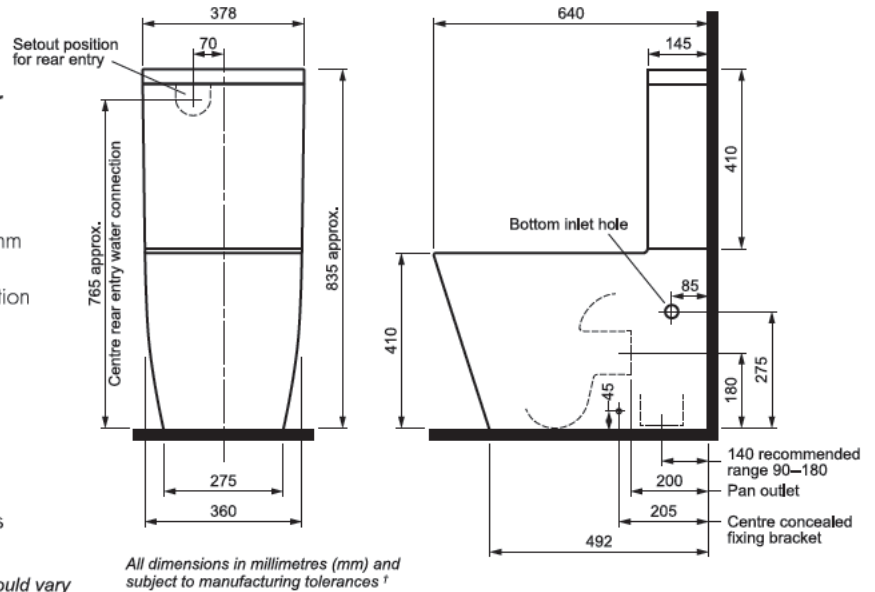
CONCERTO BACK TO WALL RIMLESS TOILET SUITE Plumbers Installation Guide

Pre-Installation Checks

This product must be installed by a licensed plumber in accordance with AS/NZS 3500 and local authority regulations. All plumbing must be installed by a licensed plumber.

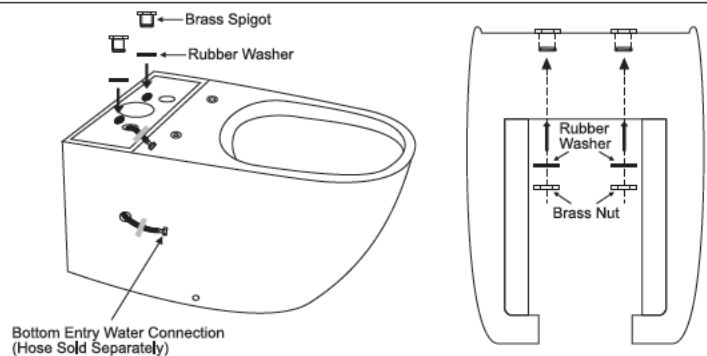
1. Check that the toilet is compatible with your current setout requirements. This toilet has a setout distance of 90–180mm for S trap and 180mm for P trap.
 2. This toilet comes with an S trap vario bend. P trap connection available separately (Bunnings item number: 4760136).
 3. Before installing the toilet, please make sure you have received all items and that they are undamaged. Any damage claims after installation will not be accepted.
 4. Check that the floor and wall are level and perpendicular.
 5. This product is configured for bottom entry. Rear entry kit available separately (Bunnings item number: 4920412).
- Note—this toilet is not suitable for use with some offset collars and slab adaptors.

[†] Vitreous China items are subject to manufacturing tolerances and could vary in size from batch to batch. It is industry accepted that a variance of $\pm 5\text{mm}$ is considered normal. It is recommended to have the Vitreous China item on hand prior to any setout work.

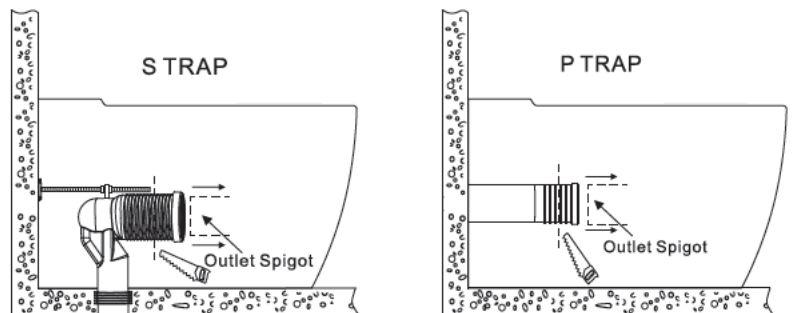


Bottom Entry Installation

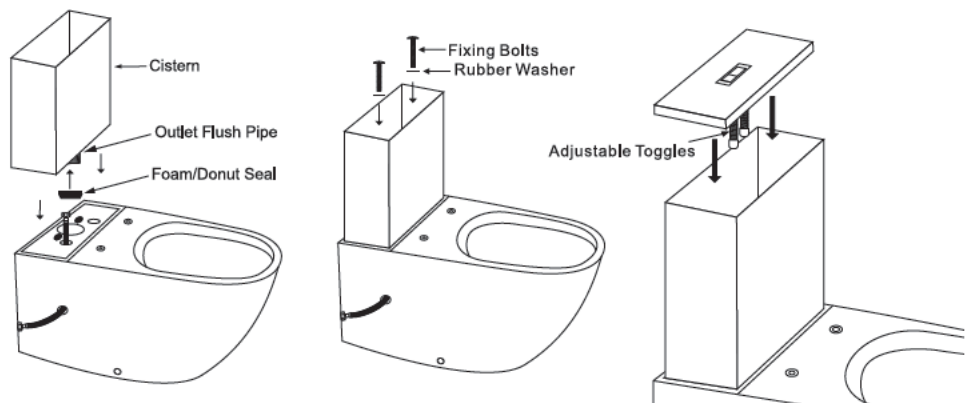
1. Install the brass spigots and rubber washers into the pan.
2. Feed a flexible connecting hose (sold separately) through the bottom entry hole and through the top of the pan. It's recommended that it is taped temporarily to hold the hose into position (as shown right).
3. Floor fixing kit—measure and install the floor fixing kit (see floor fixing instructions). Do not install the external locking screws at this stage.



4. Insert the vario bend onto the pan outlet spigot. If trimming is required, work out the measurement and mark the cutting line.
5. Check the measurements and then cut the vario bend to the correct length.
6. Place the rubber seal and cover over the front of the vario bend and install, ensuring that the sewer connection is joined correctly and a good seal has been achieved.



7. Ensure the foam/donut seal is placed over the outlet flush pipe on the base of the cistern.
8. Connect the water supply hose to the base of the cistern's inlet valve.
9. Connect the cistern and pan together using the fixing bolts provided (the outlet flush valve can be removed to assist with bolt assembly by turning it anti-clockwise then lifting it out).
10. Install the flush buttons onto the cistern lid. Note—button toggles can be adjusted.
11. Before fixing the toilet to the floor, connect the water supply and ensure that the toilet is working correctly by doing several flush tests. Check for leaks.



12. Once you are confident that there are no leaks and the toilet is working correctly, install the pan into the floor fixing kit provided and apply a bead of wet area silicone sealant around the base of the pan (refer to sealant instructions and allow recommended drying time before use).
13. Install the white cap over the unused side entry hole. Install the seat after the silicone has dried (refer to seat installation instructions).

Note—Please refer to the warranty card for any claims or exclusions to the warranty.